

DRAPER

EN

Original Instructions
Version 2 – March 2026

230V

DRILL BIT SHARPENER

98518



UK
CA CE

1. Preface

**These are the original product instructions.
Read the instruction manual in full and retain for
future reference.**

Please visit drapertools.com/manuals for the latest version of this manual and the associated parts list, if applicable.

1.1 Product Reference

User Manual for: 230V Drill Bit Sharpener

Stock No: 98518

Part No: SHP-DB

1.2 Revisions

Version 1: November 2021

First release

Version 2: March 2026

1.3 Understanding the Safety Content of This Manual



WARNING! – Situations or actions that may result in personal injury or death.



CAUTION! – Situations or actions that may result in damage to the product or surroundings.

Important: – Information or instructions of particular importance.

2. Contents

1. Preface	2	5. Identification and Unpacking	7
1.1 Product Reference	2	5.1 Product Overview	7
1.2 Revisions	2	5.2 Packaging	7
1.3 Understanding the Safety Content of This Manual	2	6. Preparation Instructions	8
2. Contents	2	6.1 Fitting the Dust/Metal Swarf Collector	8
3. Product Introduction	3	6.2 Fitting the Port Dust Covers	8
3.1 Intended Use	3	7. Basic Operation	9
3.2 Specification	3	7.1 Drill Bit Alignment	9
4. Health and Safety Information	4	7.2 Sharpening Drill Bits	9
4.1 General Health and Safety for Power Tool Use	4	7.3 Grinding Drill Bits	10
4.2 Specific Safety Instructions for Drill Bit Sharpener	5	8. Maintenance and Troubleshooting	11
4.3 Connection to the Power Supply	6	8.1 Emptying the Dust/Metal Swarf Collector	11
4.4 Residual Risk	6	8.2 Fuse Replacement	11
		9. Disposal	11
		10. Warranty	11
		11. Explanation of Symbols	12

3. Product Introduction

3.1 Intended Use

This compact drill bit sharpener is designed to sharpen HSS, Titanium, Cobalt, Carbon Steel and split point drill bits from 3mm – 13mm diameter and capable of sharpening points to a 118° angle.

Any other application beyond the conditions established for use will be considered misuse. Draper Tools accepts no responsibility for improper use of this product.

This product is intended for domestic and infrequent light-duty trade use.

Read this manual in full before attempting to assemble, operate or maintain the product, and retain it for later use.

3.2 Specification

Stock No.	98518
Part No.	SHP-DB
Rated voltage	230V/50Hz
Rated input	80W
Speed (no load)	4,200rpm

Grinding Wheel Dimensions

Diameter	76mm
Width	10mm
Bore	16mm

Drill bit diameter capacity	3mm – 13mm
-----------------------------	------------

Noise emissions

Sound pressure level (LpA)	83dB (A)
Sound power level (LwA)	96dB (A)
Uncertainty (K)	3dB (A)

Cord length(approx.)	1.7M
----------------------	------

Net weight	2.43kg
------------	--------

Important: The declared noise emissions values have been measured in accordance with a standard test method and may be used for comparing one tool with another. These values may also be used in a preliminary assessment of exposure.



WARNING! The noise emissions during actual use of the product can differ from the declared values depending on the type of work and the area upon which it is used. Before each use, estimate the likely exposure resulting from the actual conditions of use. Take into account all parts of the operation cycle in order to identify any safety measures required to protect the operator.

4. Health and Safety Information

4.1 General Health and Safety for Power Tool Use



WARNING! Read all safety warnings, instructions, illustrations and specifications provided with this power tool.

Failure to follow all instructions listed below may result in electric shock, fire and/or serious injury.

Save all warnings and instructions for future reference.

The term "power tools" in the warnings refers to your mains-operated (corded) power tool or battery-operated (cordless) power tool.

Work Area Safety

- **Keep work area clean and well lit.**
 - Cluttered or dark areas invite accidents.
- **DO NOT operate power tools in explosive atmospheres, such as in the presence of flammable liquids, gases or dust.**
 - Power tools create sparks which may ignite the dust or fumes.
- **Keep children and bystanders away while operating a power tool.**
 - Distractions can cause you to lose control.

Electrical Safety

- **Power tool plugs must match the outlet. NEVER modify the plug in any way. DO NOT use any adapter plugs with earthed (grounded) power tools.**
 - Unmodified plugs and matching outlets will reduce the risk of electric shock.
- **Avoid body contact with earthed or grounded surfaces, such as pipes, radiators, ranges and refrigerators.**
 - There is an increased risk of electric shock if your body is earthed or grounded.
- **DO NOT expose power tools to rain or wet conditions.**
 - Water entering a power tool will increase the risk of electric shock.
- **DO NOT abuse the cord. NEVER use the cord for carrying, pulling or unplugging the power tool. Keep cord away from heat, oil, sharp edges or moving parts.**
 - Damaged or entangled cords increase the risk of electric shock.

- **When operating a power tool outdoors, use an extension cord suitable for outdoor use.**
 - Use of a cord suitable for outdoor use reduces the risk of electric shock.
- **If operating a power tool in a damp location is unavoidable, use a residual current device (RCD) protected supply.**
 - Use of an RCD reduces the risk of electric shock.

Personal Safety

- **Stay alert, watch what you are doing and use common sense when operating a power tool. DO NOT use a power tool while you are tired or under the influence of drugs, alcohol or medication.**
 - A moment of inattention while operating power tools may result in serious personal injury.
- **Use personal protective equipment. ALWAYS wear eye protection.**
 - Using appropriate protective equipment, such as a dust mask, non-skid safety shoes, hard hat or hearing protection, will reduce personal injuries.
- **Prevent unintentional starting. Ensure the switch is in the off position before connecting to a power source and/or battery pack, picking up or carrying the tool.**
 - Carrying power tools with your finger on the switch or energising power tools that have the switch on invites accidents.
- **Remove any adjusting key or wrench before turning the power tool on.**
 - A wrench or a key left attached to a rotating part of the power tool may result in personal injury.
- **DO NOT overreach. Keep proper footing and balance at all times.**
 - This enables better control of the power tool in unexpected situations.
- **Dress properly. DO NOT wear loose clothing or jewellery. Keep your hair and clothing away from moving parts.**
 - Loose clothes, jewellery or long hair can be caught in moving parts.
- **If devices are provided for the connection of dust extraction and collection facilities, ensure these are connected and properly used.**
 - Use of dust collection can reduce dust-related hazards.

- **DO NOT let familiarity gained from frequent use of tools allow you to become complacent and ignore tool safety principles.**
 - A careless action can cause severe injury within a fraction of a second.

Power Tool Use and Care

- **DO NOT force the power tool. Use the correct power tool for your application.**
 - The correct power tool will do the job better and safer at the rate for which it was designed.
- **DO NOT use the power tool if the switch does not turn it on and off.**
 - Any power tool that cannot be controlled with the switch is dangerous and must be repaired.
- **Disconnect the plug from the power source and/or remove the battery pack, if detachable, from the power tool before making any adjustments, changing accessories or storing power tools.**
 - Such preventive safety measures reduce the risk of starting the power tool accidentally.
- **Store idle power tools out of the reach of children and DO NOT allow anyone unfamiliar with the power tool or these instructions to operate the power tool.**
 - Power tools are dangerous in the hands of untrained users.
- **Maintain power tools and accessories. Check for misalignment or binding of moving parts, breakage of parts and any other condition that may affect the power tool's operation. If damaged, have the power tool repaired before use.**
 - Many accidents are caused by poorly maintained power tools.
- **Keep cutting tools sharp and clean.**
 - Properly maintained cutting tools with sharp cutting edges are less likely to bind and are easier to control.
- **Use the power tool, accessories and tool bits, etc., in accordance with these instructions, taking into account the working conditions and the work to be performed.**
 - Use of the power tool for operations different from those intended could result in a hazardous situation.

- **Keep handles and grasping surfaces dry, clean and free from oil and grease.**
 - Slippery handles and grasping surfaces do not allow for safe handling and control of the tool in unexpected situations.

Service

- **Have your power tool serviced by a qualified repair person using only identical replacements parts.**
 - This will ensure that the safety of the power tool is maintained.

4.2 Specific Safety Instructions for Drill Bit Sharpener

- Ensure the sharpener is stable and secured before use.
- Only grinding operations for which the abrasive product is suitable shall be carried out.
- **ALWAYS** keep hands and fingers away from the grinding/sharpening port openings during operation.
- Take care as the grinding wheel will continue to rotate after the sharpener is switched off.
- **NEVER** use the sharpener without the dust collector fitted.
- Check that the drill bits are properly supported.
- **ALWAYS** switch off and unplug the product before moving or cleaning or carrying out any maintenance.
- Check for damaged parts before using the sharpener.
 - Check for alignment of moving parts, free running of moving parts, breakage of parts, mounting and any other conditions that may affect its operation.
 - Any part that is damaged should be repaired or replaced by an authorised service centre unless otherwise indicated in this instruction manual.
 - Have defective switches replaced by an authorised service centre. **DO NOT** use the sharpener if the switch does not turn it on and off.

4. Health and Safety Information

4.3 Connection to the Power Supply



**CAUTION! Risk of electric shock.
DO NOT open.**

This appliance is supplied with an approved rewireable plug and cord for your safety.

If the power supply cord is damaged, it must be replaced by Draper Tools, an authorised service agent or similarly qualified personnel in order to avoid a hazard.

The damaged or incomplete plug, when removed from the cord, must be disabled to prevent connection to a live electrical outlet. To replace the plug follow the wiring instruction card supplied attached to the plug cover pins.

This product is Class I* and is designed for connection **ONLY** to a power supply matching that detailed on the rating label and compatible with the plug fitted.

Should the fuse need replacing, ensure the substitute is of the correct rating, approved to BS 1362 and ASTA or BS Kite marked. This should only be performed by suitably qualified personnel.

ASTA



BSI



The fuse can be replaced by unscrewing the plug cover and removing the broken fuse from its holder. This should only be performed by suitably qualified personnel.

If an extension lead is required, use an approved and compatible lead rated for this appliance.

Important: ALWAYS follow the extension lead instructions regarding maximum load while the cable is wound. If in doubt, unwind the entire cable. A coiled extension lead generates heat which could melt the lead and cause a fire.

*Earthed Ⓢ: This product requires an earth connection to protect against electric shock from accessible conductive parts in the event of a failure of the basic insulation.

4.4 Residual Risk

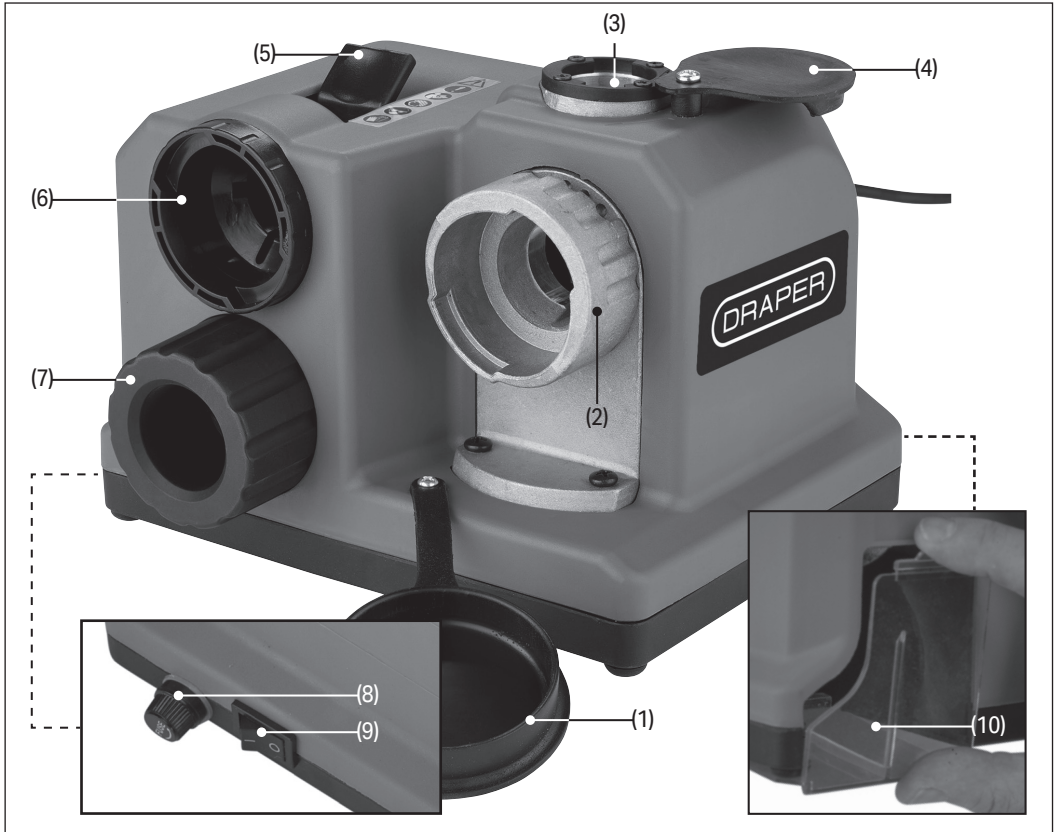
The safety instructions in this manual cannot account for all possible conditions and situations that may occur. Exercise common sense and caution when using this product and protect against any additional conceivable risks.

5. Identification and Unpacking

Carefully remove the product from the packaging and examine it for any signs of damage that may have occurred during shipment. If any part is damaged or

missing, do not attempt to use the product. Please contact the Draper Helpline; contact details can be found at the back of this manual.

5.1 Product Overview



- | | | |
|-----------------------------------|------------------------------|---------------------|
| (1) Sharpening port cover & screw | (5) Alignment control lever | (9) ON/OFF switch |
| (2) Sharpening port | (6) Drill bit alignment port | (10) Dust collector |
| (3) Grinding port | (7) Drill bit holder | |
| (4) Grinding cover & screw | (8) Fuse holder | |

5.2 Packaging

Keep the product packaging for the duration of the warranty period in case the product needs to be returned for repair.

WARNING! Keep packaging materials out of reach of children. Dispose of packaging correctly and responsibly and in accordance with local regulations.

Please visit drapertools.com for our full range of accessories and consumables.

6. Preparation Instructions

Important: Before preparing or adjusting this product, read and understand all the safety instructions listed in this manual.

6.1 Fitting the Dust/Metal Swarf Collector

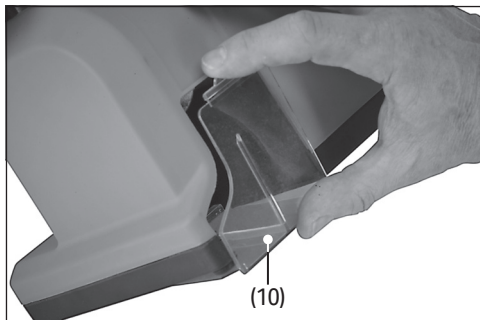


Fig. 1

- Slot the dust collector (10) into the recess area at the back of the sharpener.

6.2 Fitting the Port Dust Covers

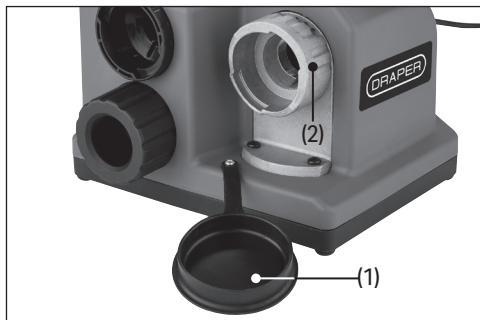


Fig. 2

- **Sharpening port (2)** – attach the dust cover (1) to the base unit using the screw supplied.
- Fit the cover over the port when not in use.

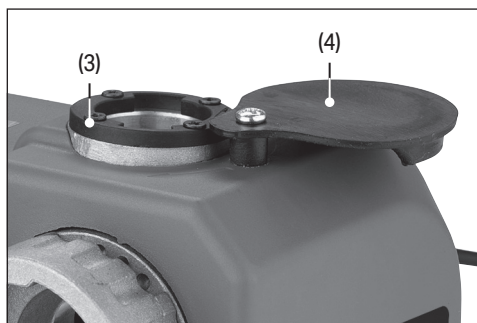


Fig. 3

- **Grinding port (3)** – attach the dust cover (4) using the screw supplied.
- Fit the cover over the port when not in use.

7. Basic Operation

Important: Before operating this product, read and understand all the safety instructions listed in this manual.

7.1 Drill Bit Alignment

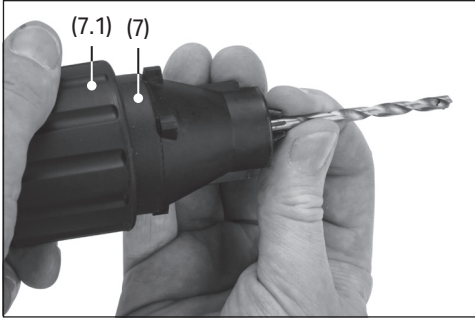


Fig. 4



Fig. 5

1. Remove the drill bit holder (7) from the motor housing.
2. Loosen the locking ring (7.1) and insert the drill bit. Then lightly tighten the locking ring.

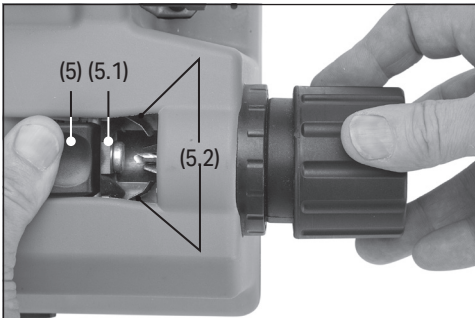


Fig. 6

3. Hold the alignment lever (5) down, then insert the drill bit holder into the drill bit alignment port (6).
4. Slide the drill bit forward into the port until it touches the drill stop (5.1). Ensure the drill bit holder is inserted all the way into the port.
5. Release the alignment lever to release the clamping arms (5.2).
 - The clamping arms should be holding the drill bit at its narrowest point. If required turn the bit slightly until correctly aligned.
6. Retighten the locking nut fully before removing the drill bit holder from the alignment port.

7.2 Sharpening Drill Bits

- Once the drill bit has been correctly aligned as stated in **section 7.1**, the drill bit holder and drill bit can be transferred to the sharpening port (2).

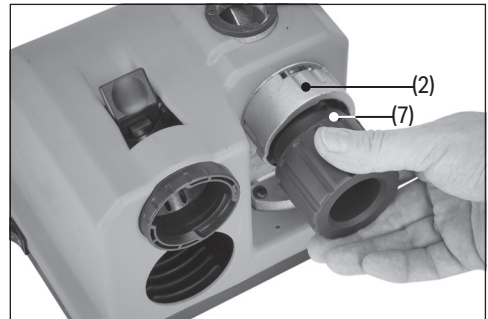
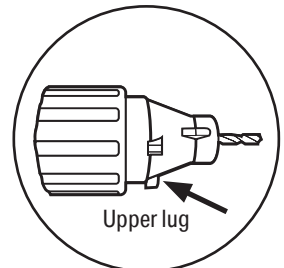


Fig. 7

1. Remove the dust cover (1) if fitted, then move the **ON/OFF** switch to the '**ON/I**' position to turn the sharpener on.
2. Insert the drill bit holder (7) and drill bit into the sharpening port (2). Ensure that the upper lugs on the drill bit holder body are engaged with the cut outs in the port collar (A).



7. Basic Operation

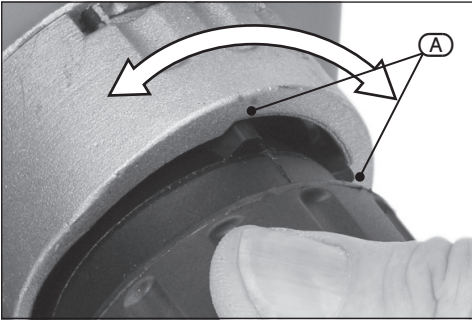


Fig. 8

3. Sharpen the drill bit by turning the port collar (A) back and forth until the sound from the wheel reduces.
4. Remove the bit holder, rotate through 180°, reinsert and repeat the sharpening process.
- If an arrow head point is not achieved, turn the drill bit through 90° and repeat the sharpening process.

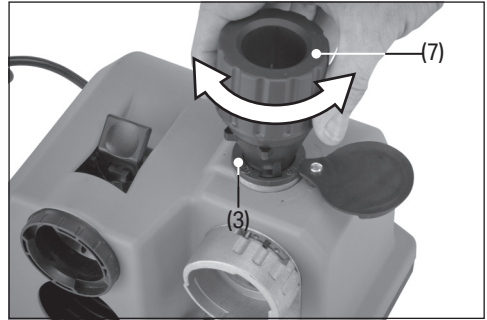


Fig. 10

3. Grind the drill bit by turning the holder back and forth until the grinding sound reduces.
4. Remove the bit holder, rotate through 180°, then reinsert and repeat the grinding process.

7.3 Grinding Drill Bits

1. Remove the dust cover (4) if fitted, then move the **ON/OFF** switch to the '**ON/I**' position to turn the sharpener on.

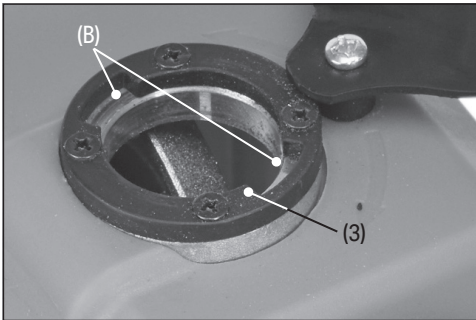
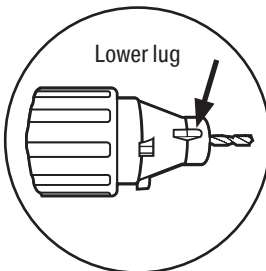


Fig. 9

2. Insert the drill bit holder (7) and drill bit into the grinding port (3). Ensure that the lower lugs on the drill bit holder body are engaged with the port cut outs (B).



Important: Always turn the sharpener “OFF” and unplug from the power supply before carrying out any adjustment, cleaning or maintenance.

- Regular inspection and cleaning will reduce the requirement for maintenance operations and will keep the product in good working condition.

8.1 Emptying the Dust/Metal Swarf Collector

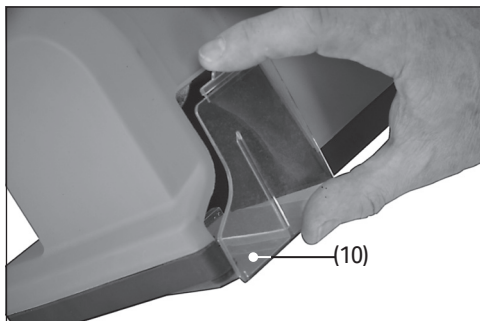


Fig. 11

- Lift out and empty the dust collector (10) after each use.

8.2 Fuse Replacement

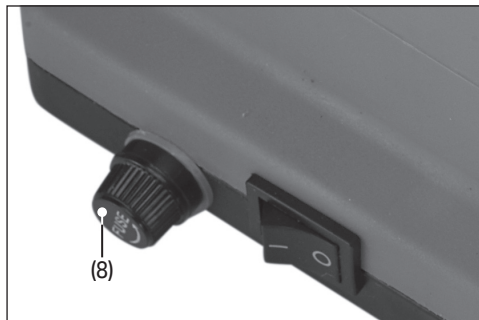


Fig. 12

- The sharpener is fitted with an internal 2A fuse.
- To replace the fuse, turn the fuse holder (8) anticlockwise and remove.
- **ONLY** replace the fuse with one of the same specified rating.

9. Disposal

At the end of its working life, dispose of the product responsibly and in line with local regulations. Recycle where possible.

- **DO NOT** dispose of this product with domestic waste; most local authorities provide appropriate recycling facilities.



10. Warranty

24 months from date of purchase - Visit drapertools.com/warranty for full details.

However, if the tools are hired out, the warranty period is 90 days from the date of purchase.

11. Explanation of Symbols



Read the instruction manual.



Wear face mask, ear defenders and safety glasses.



Wear protective gloves.



Do not abandon into the environment.



Keep out of the reach of children.



Warning!



Rated wattage input.



No-load speed (revolutions per minute).



Drill bit diameter capacity.



Grinding disc diameter.



Bore/arbore diameter.



Net product weight.



Class II construction (Double insulated).



WEEE – Waste Electrical & Electronic Equipment.
Do not dispose of Waste Electrical & Electronic Equipment in with domestic rubbish.



Continuous A-Weighted Sound Pressure Level.



UK Conformity Assessed.



European conformity.

Contact Details

Draper Tools Limited

Hursley Road, Chandler's Ford,
Eastleigh, Hampshire, SO53 1YF, UK

Website: drapertools.com

Email: sales@drapertools.com

Product Helpline: +44 (0) 23 8049 4344

Telephone Sales Desk: +44 (0) 23 8049 4333

General Enquiries: +44 (0) 23 8026 6355

Draper Tools Europe B.V.

Oude Graaf 8, 6002 NL,
Weert, Netherlands

Please contact the Draper Tools Product Helpline for repair and servicing enquiries.