



STEEL SHELVING UNIT

52958 - INSTRUCTIONS FOR USE

1. Product Introduction

Read this manual in full before using this product and retain it for future use. Always use the latest version of the manual.
Please visit drapertools.com/manuals for the latest version.



1.1 Specification

Stock No.:	52958
Part No.:	MSUHD183
Max load capacity per shelf:	580kg
Max load capacity for top shelf:	580kg
Total load capacity:	2900kg
Dimensions when assembled (L x W x H):	1220x610x1830mm

2. Health and Safety Information

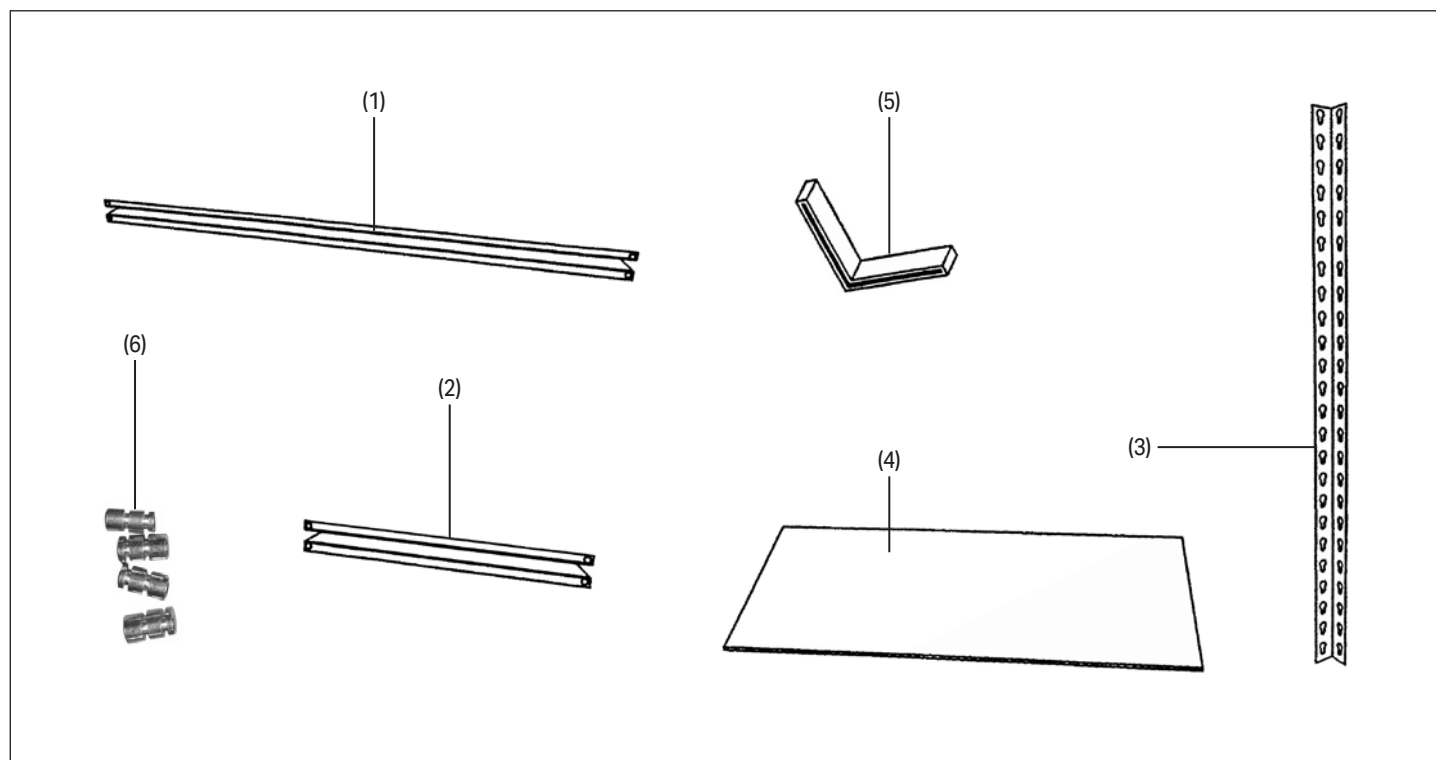
Important: Read all the Health and Safety instructions before attempting to assemble, maintain or repair this product. Failure to follow these instructions may result in injury or damage to the user or, the product.

WARNING! DO NOT exceed the maximum load specified for each shelf of 580kg.

- Units should only be placed on a level and solid surface.
- **DO NOT** use this shelving unit for anything other than its intended purpose.
- It is recommended that lifting and assembly is carried out by 2 persons.
- **ALWAYS** securely anchor to a wall or floor with suitable fasteners (not supplied).
- **DO NOT** stand on any part of the unit or use it as a ladder.
- Evenly distribute the weight on each shelf and always keep the heavier loads on the bottom shelf.
- Take care when working with metal parts.

3. Identification

Carefully remove the product from the packaging and examine it for any signs of damage that may have occurred during shipment. If any part is damaged or missing, do not attempt to use the product. Please contact the Draper Helpline; contact details can be found at the back of this manual.



- (1) 10 X Beam
- (2) 10 X Brace
- (3) 8 X Post
- (4) 5 X Shelf
- (5) 8 X Endcap
- (6) 4 X Shelving connectors

Please visit drapertools.com for our full range of accessories and consumables.

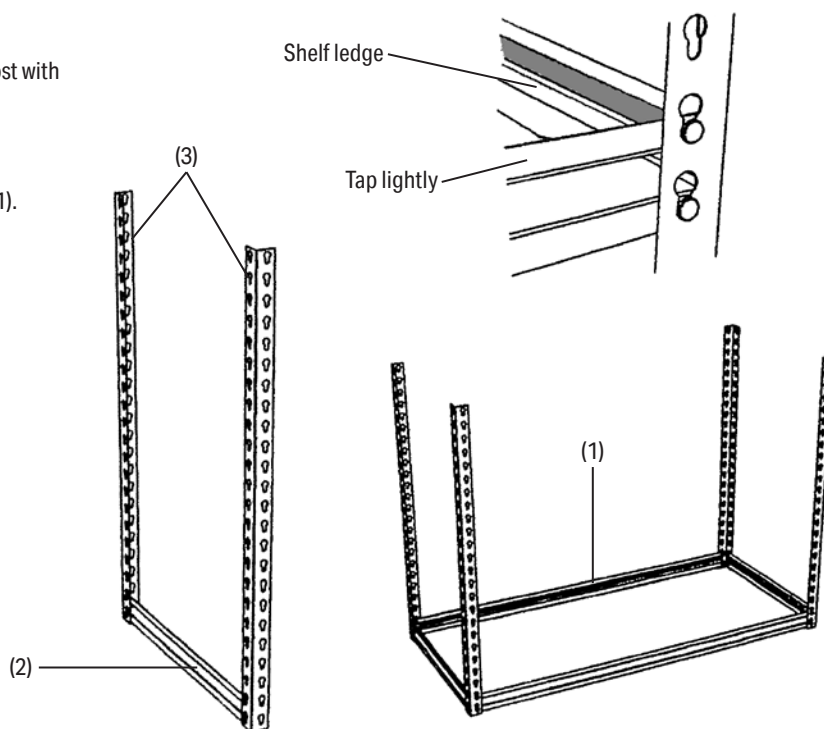
4. Assembly Instructions

To Assemble

- Fit the beams and braces rivets into the holes in the post.
- A rubber mallet can be used on the beams and braces to seat the rivets correctly.

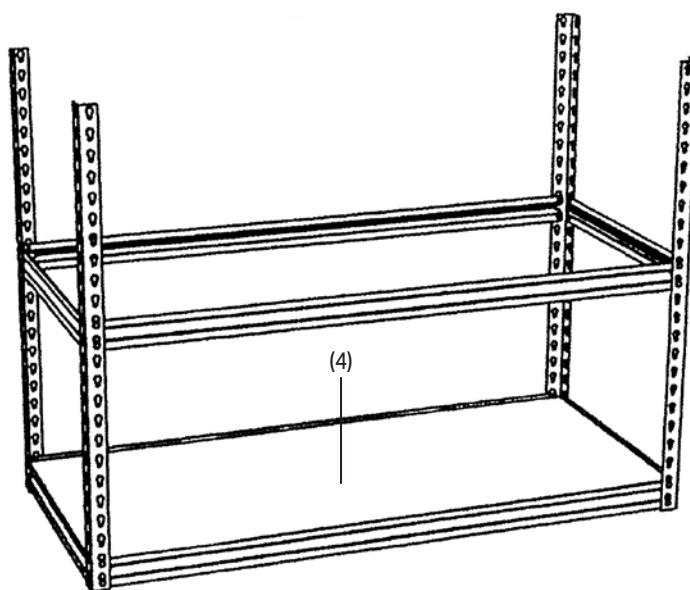
Step 1

- Assemble two posts (3) with one brace (2).
- Place the rivets of the brace into the holes of the post with the shelf ledge facing upwards.
- Tap lightly to seat the rivets.
- Repeat with two more posts and one brace.
- Then assemble the two post ends with two beams (1).



Step 2

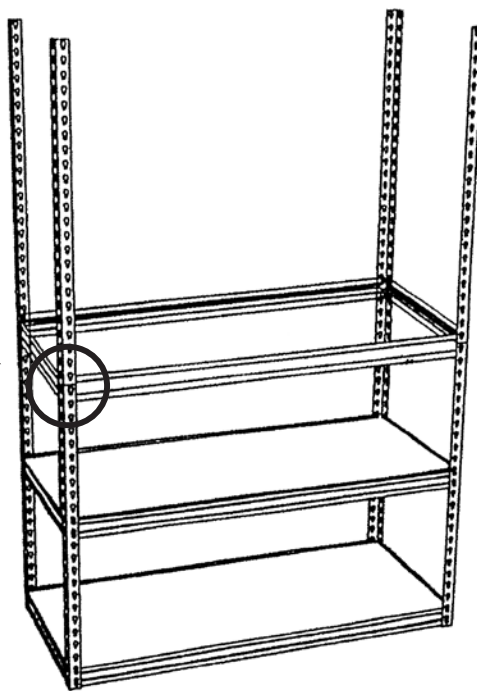
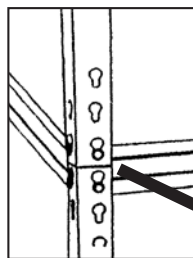
- Fit the first shelf (4) to the beams and braces already fitted.
- Then fit two further braces and beams and the next shelf at the required height.
- Place the rivets of the brace into the holes of the post with the shelf ledge facing upwards.
- Tap lightly to seat the rivets.



4. Assembly Instructions

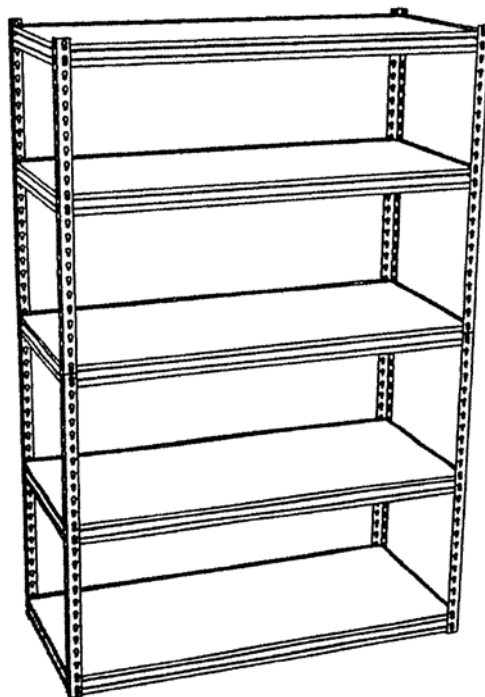
Step 3

- Add the next shelf to the previously built level.
- Then assemble the top post to the bottom post using braces and beams. Position one rivet in the bottom post and another into the top post.



Step 4

- Add the third shelf.
- Then add the final levels using the last beams and braces. Tap lightly to seat the rivets.
- Then add the final shelves.
- Fit the endcaps (5) to both end of the four posts.
- To connect shelving units together use the connectors (6) supplied.



Important: Ensure that all the beams and braces rivets are fully seated into the holes in the posts before fitting the shelves.

5. Warranty

12 months from date of purchase - Visit drapertools.com/warranty for full details.

Helpline: +44 (0) 23 8049 4344 Sales Desk: +44 (0) 23 8049 4333 General Enquiries: +44 (0) 23 8026 6355 Website: drapertools.com Email: sales@drapertools.com