



# HEAVY DUTY METAL MODULAR SHELVING UNIT

05227, 05229 – INSTRUCTIONS FOR USE

## 1. Product Introduction

Read this leaflet in full before using this product and retain it for future use.  
Please visit [drapertools.com/manuals](https://www.drapertools.com/manuals) for the latest version.

### 1.1 Unpacking – Fig. 1

Remove all packaging. Check that the product is in perfect condition and no visible damage to any of the parts.

1. Frame X 2
2. Beams X 8
3. Shelves X 8
4. Centre brace X 4
5. Bolts X 8
6. Nuts X 8
7. Lock Pins X 16

## 2. Health and Safety Information

- Units should only be placed on a level surface.
- **ALWAYS** securely anchor to a wall or floor with suitable fasteners (not supplied).
- **DO NOT** use this unit for anything other than its intended purpose.
- **DO NOT** stand on the unit or use as a ladder.
- Evenly distribute the weight on each level and always keep the heavier loads on the bottom shelf.
- Take care when working with metal parts.

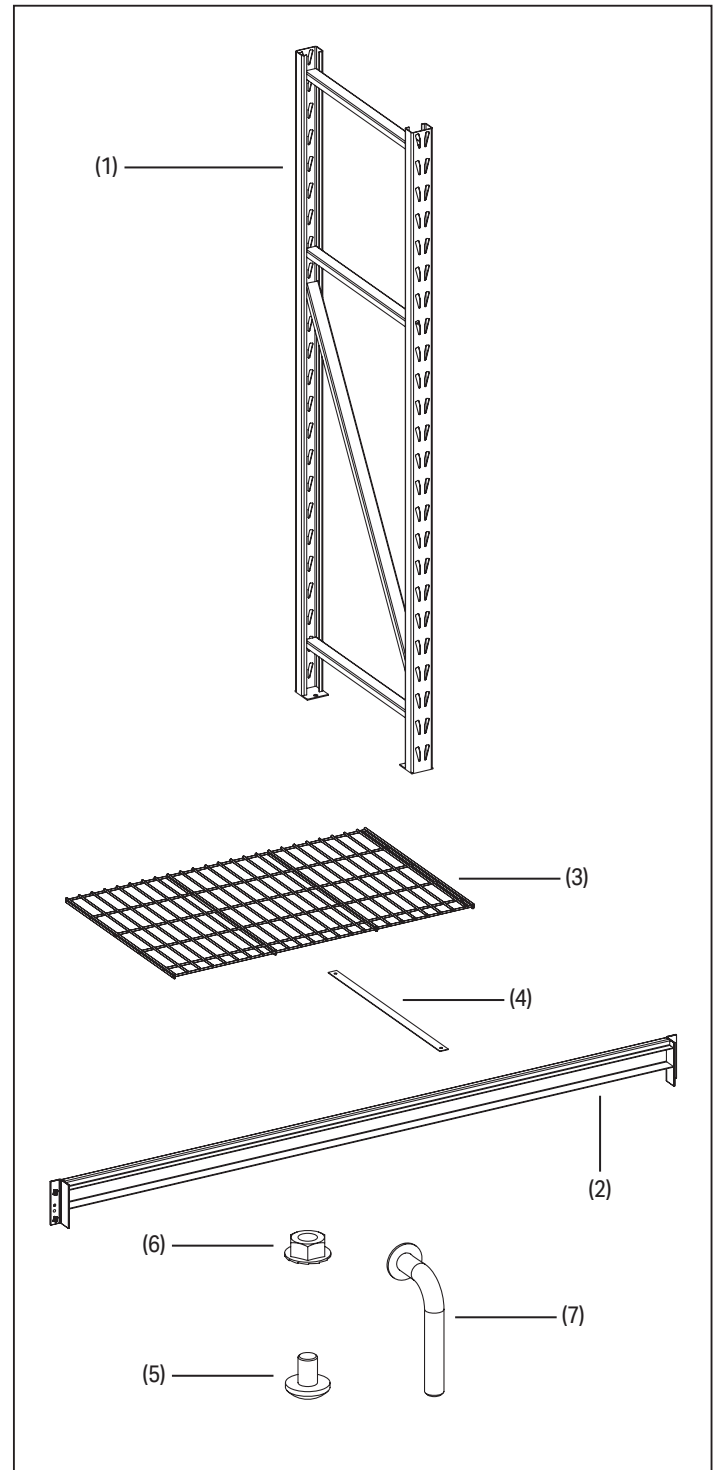


Fig. 1

### 3. Assembly Instructions

- **To assemble**, fit the tabs into the holes at the end of the frames. A rubber mallet can be used to seat the tabs properly on the beams and braces. Tap gently and ensure the tabs are straight and fully engaged.

Fig. 2 – Hook and secure beams to base of the frame.

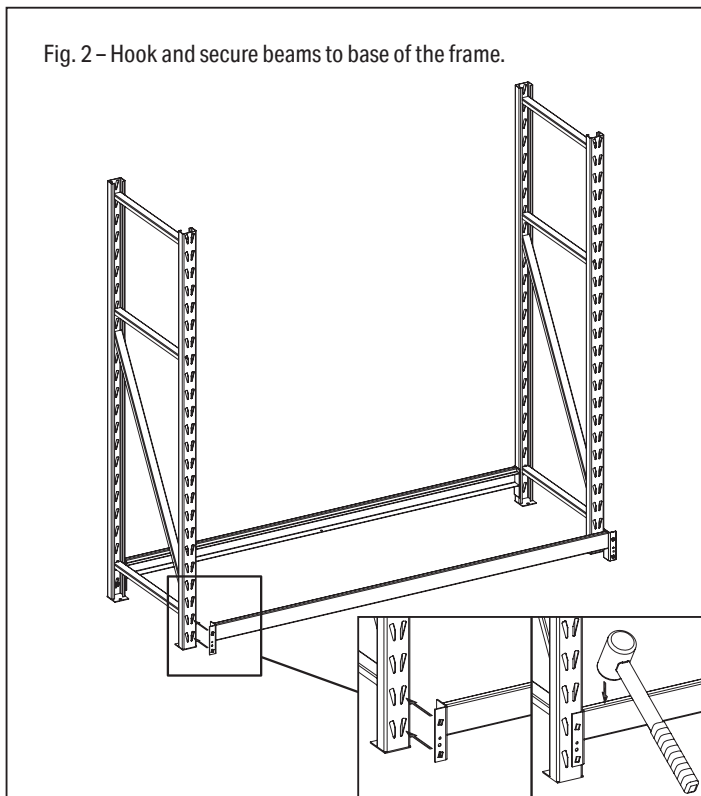
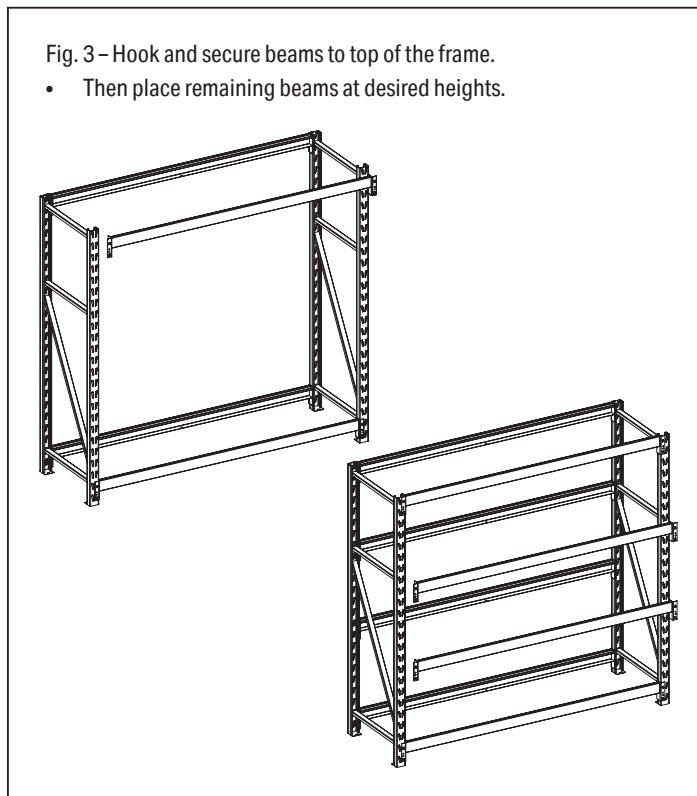


Fig. 3 – Hook and secure beams to top of the frame.

- Then place remaining beams at desired heights.



**IMPORTANT NOTE:** Make sure all tabs are fully seated, and beams are locked to end frames.

Fig. 4 – Attach the centre brace using nut and bolt provided.

- Place shelves into the recess.

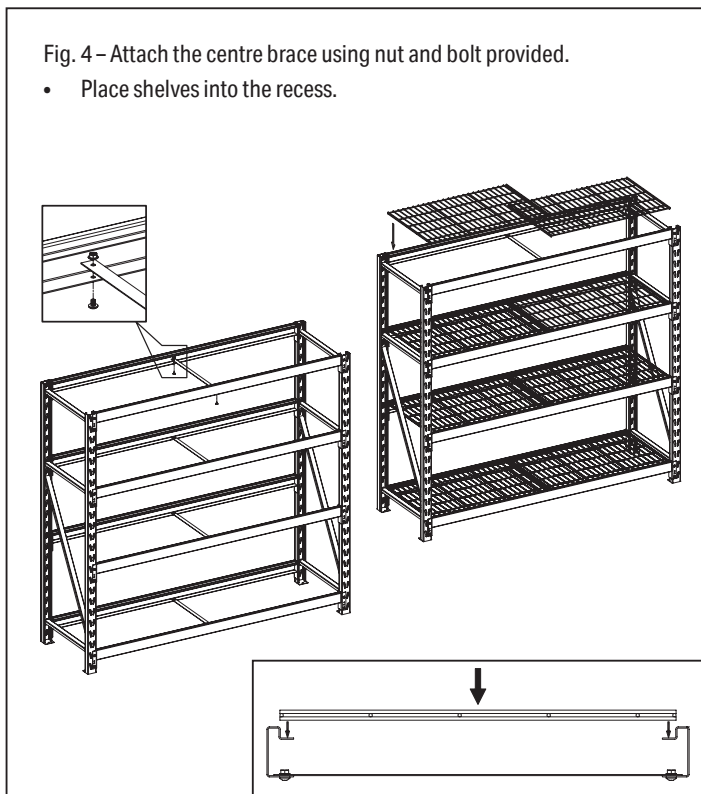
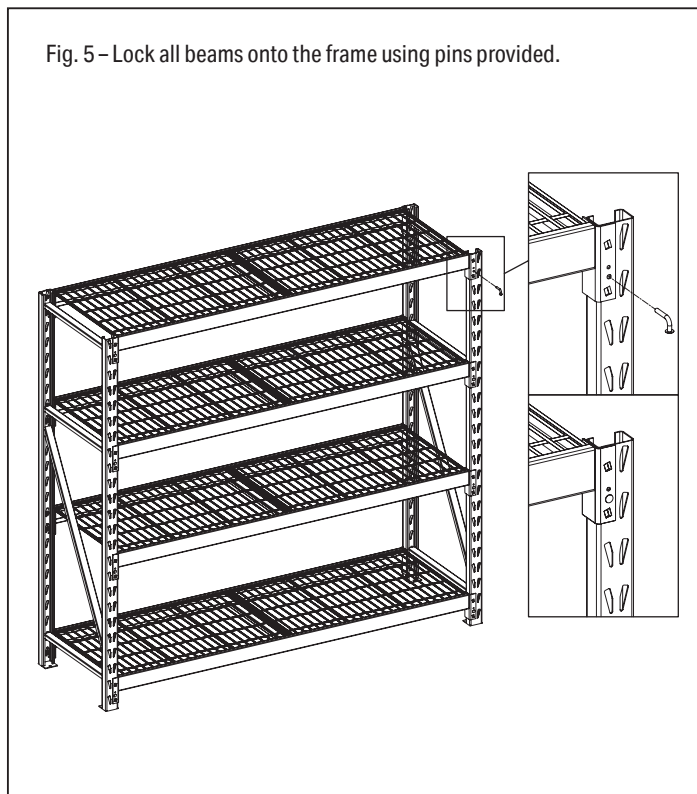


Fig. 5 – Lock all beams onto the frame using pins provided.



Please visit [drapertools.com/manuals](http://drapertools.com/manuals) for the latest version of this manual and the associated parts list, if applicable.