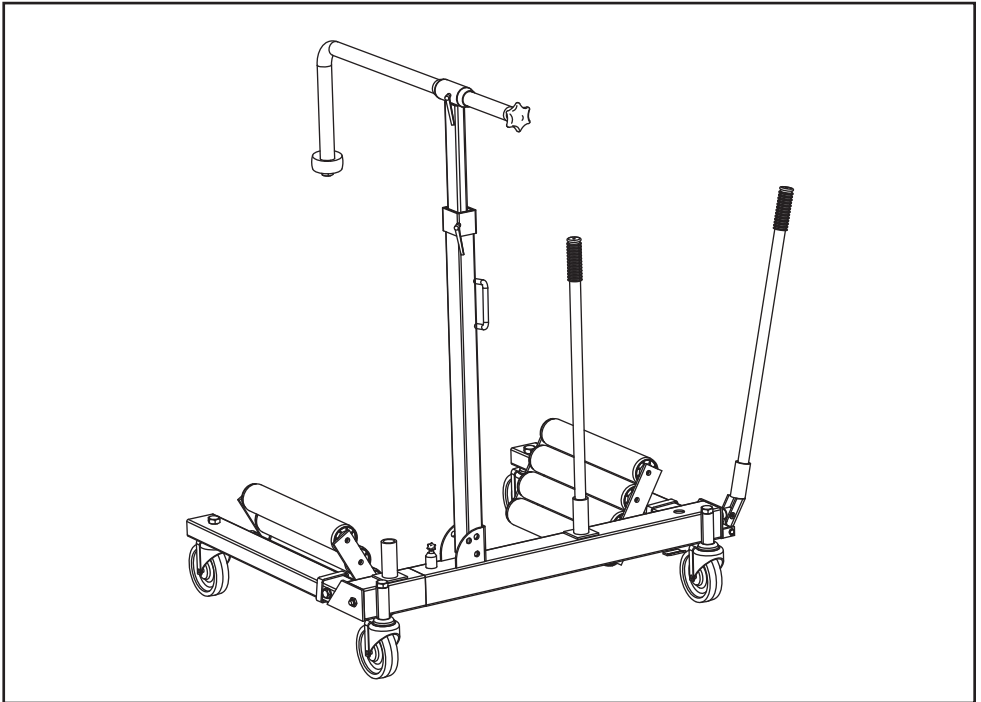




1.5 TONNE

WHEEL REMOVAL TROLLEY

01079



These instructions accompanying the product are the original instructions. This document is part of the product, keep it for the life of the product passing it on to any subsequent holder of the product. Read all these instructions before assembling, operating or maintaining this product.

This manual has been compiled by Draper Tools describing the purpose for which the product has been designed, and contains all the necessary information to ensure its correct and safe use. By following all the general safety instructions contained in this manual, it will ensure both product and operator safety, together with longer life of the product itself.

All photographs and drawings in this manual are supplied by Draper Tools to help illustrate the operation of the product.

Whilst every effort has been made to ensure the accuracy of information contained in this manual, the Draper Tools policy of continuous improvement determines the right to make modifications without prior warning.

1. TITLE PAGE

1.1 INTRODUCTION:

USER MANUAL FOR: 1.5 Tonne Wheel Removal Trolley

Stock No: 01079

Part No: WRT100

1.2 REVISIONS:

Date first published September 2018.

Date first revision August 2022.

As our user manuals are continually updated, users should make sure that they use the very latest version.

Downloads are available from: <http://drapertools.com/manuals>

Draper Tools Limited
Hursley Road
Chandler's Ford
Eastleigh
Hampshire
SO53 1YF
UK

Website: drapertools.com

Product Helpline: +44 (0) 23 8049 4344

General Fax: +44 (0) 23 8026 0784

1.3 UNDERSTANDING THIS MANUALS SAFETY CONTENT:

WARNING! – Information that draws attention to the risk of injury or death.

CAUTION! – Information that draws attention to the risk of damage to the product or surroundings.

1.4 COPYRIGHT © NOTICE:

Copyright © Draper Tools Limited.

Permission is granted to reproduce this publication for personal and educational use only. Commercial copying, redistribution, hiring or lending is prohibited.

No part of this publication may be stored in a retrieval system or transmitted in any other form or means without written permission from Draper Tools Limited.

In all cases this copyright notice must remain intact.

2. CONTENTS

1. TITLE PAGE	
1.1 INTRODUCTION	2
1.2 REVISION HISTORY	2
1.3 UNDERSTANDING THIS MANUAL	2
1.4 COPYRIGHT NOTICE	2
2. CONTENTS	
2.1 CONTENTS.....	3
3. WARRANTY	
3.1 WARRANTY.....	4
4. INTRODUCTION	
4.1 SCOPE.....	5
4.2 SPECIFICATION	5
4.3 HANDLING AND STORAGE.....	5
5. HEALTH AND SAFETY INFORMATION	
5.1 GENERAL SAFETY INSTRUCTIONS FOR WHEEL REMOVAL TROLLEY.....	6
5.2 SPECIFIC SAFETY INSTRUCTIONS FOR WHEEL REMOVAL TROLLEY USE	7
6. TECHNICAL DESCRIPTION	
6.1 IDENTIFICATION	9
7. UNPACKING AND CHECKING	
7.1 PACKAGING	10
8. PREPARING THE WHEEL REMOVAL TROLLEY	
8.1 ASSEMBLY	11
9. OPERATING THE WHEEL REMOVAL TROLLEY	
9.1 USING THE WHEEL REMOVAL TROLLEY TO REMOVE A WHEEL	12
9.2 UNLOADING THE WHEEL REMOVAL TROLLEY.....	12
10. MAINTENANCE & TROUBLESHOOTING	
10.1 MAINTENANCE	13
10.2 TROUBLESHOOTING	13
11. DISPOSAL	
11.1 DISPOSAL	14
12. EXPLANATION OF SYMBOLS	
12.1 EXPLANATION OF SYMBOLS	15
DECLARATION OF CONFORMITY	ENCLOSED

3. WARRANTY

3.1 WARRANTY

Draper tools have been carefully tested and inspected before shipment and are guaranteed to be free from defective materials and workmanship.

Should the tool develop a fault, please return the complete tool to your nearest distributor or contact:

Draper Tools Limited, Chandler's Ford, Eastleigh, Hampshire, SO53 1YF. England.

Telephone Sales Desk: (023) 8049 4333 or:

Product Helpline (023) 8049 4344.

A proof of purchase must be provided.

If upon inspection it is found that the fault occurring is due to defective materials or workmanship, repairs will be carried out free of charge. This warranty period covering labour is 12 months from the date of purchase except where tools are hired out when the warranty period is 90 days from the date of purchase. This warranty does not apply to any consumable parts, any type of battery or normal wear and tear, nor does it cover any damage caused by misuse, careless or unsafe handling, alterations, accidents, or repairs attempted or made by any personnel other than the authorised Draper warranty repair agent.

Note: If the tool is found not to be within the terms of warranty, repairs and carriage charges will be quoted and made accordingly.

This warranty applies in lieu of any other warranty expressed or implied and variations of its terms are not authorised.

Your Draper warranty is not effective unless you can produce upon request a dated receipt or invoice to verify your proof of purchase within the warranty period.

Please note that this warranty is an additional benefit and does not affect your statutory rights.

Draper Tools Limited.

4. INTRODUCTION

4.1 SCOPE

This wheel removal trolley is designed for effortless, fast and safe removal, handling and fitting of agricultural, industrial and commercial wheels. It is intended for trade use and has the quality and features to meet and exceed the expectations of the most demanding user.

Any application other than that it was designed for is considered misuse.

4.2 SPECIFICATION

Stock No.	01079
Part No.	WRT100
Maximum load capacity	1500kg
Minimum wheel diameter	1000mm
Maximum wheel diameter	2200mm
Maximum wheel width	800mm
Weight	118kg

4.3 HANDLING & STORAGE

- Care must be taken when handling this product.
 - Dropping this power tool could have an effect on its accuracy and could also result in personal injury. This product is not a toy and must be respected.
- Environmental conditions can have a detrimental effect on this product if neglected.
 - Exposure to damp air can gradually corrode components.
 - If the product is unprotected from dust and debris, components will become clogged.
 - If not cleaned and maintained correctly or regularly, the machine will not perform at its best.

5. HEALTH AND SAFETY INFORMATION

The following safety point must be observed when using the wheel removal trolley. Common sense and a respect for the tool will help reduce the risk of injury.

5.1 GENERAL SAFETY INSTRUCTIONS FOR WHEEL REMOVAL TROLLEY

Warning!

- Read all safety warnings and all instructions. The operator should be experienced and in good health to avoid danger to self and others.

Never use the wheel removal trolley unit for wheels of larger diameter, wider or heavier than those stipulated in the technical specification.

The wheel support (4) and clamp support arm (5) are only to be used to balance the wheel, NOT to carry a load.

The wheel removal trolley unit must only be used on horizontal workshop floors, swept clean of any debris. The use of the unit on a slopping surface is absolutely forbidden.

Never drive the unit over edges, rough surfaces, or corners etc. when there is a load on it as the whole unit can overturn.

It is of the greatest importance for safety that the unit is secured by the locking mechanism (6) on the nearest hole before manoeuvring the unit. If this lock is not used, the wheel removal trolley could come apart while carrying the load and the wheel could tip out.

Always stand and operate the unit from behind the wheel supports (4).

Do not operate or manoeuvre the wheel from in front of the wheel support arm (4).

When refilling the oil reservoir, the unit must be pumped fully apart before the refill screw (7) is removed, otherwise there is a risk of excess pressure in the reservoir which can cause oil to squirt out when the refill screw is loosened.

Any possible spills of liquid etc. must be immediately taken care of to avoid risk of slippery surfaces.

For the handling and destruction of oil, contact the nearest environmental authority.











The operator must be in good health with good sight and hearing and the physical ability to carry out all operations required.






The operator must understand how the machine works, be responsible when operating the machine and aware of potential danger.

The operator must have read this booklet and fully understand the warning symbols on the machine.

5. HEALTH AND SAFETY INFORMATION

5.2 SPECIFIC SAFETY INSTRUCTIONS FOR WHEEL REMOVAL TROLLEY USE

-  Warning: At least two people are required to assemble the trolley.
-  Warning: Ensure that the vehicle to be worked on is safely supported on axle stands.
-  Warning: Ensure that the trolley is in sound condition and good working order before use.
-  Warning: Keep trolley clean for best and safest performance.
-  Warning: Only use the trolley on firm, level, unobstructed surface which is capable of supporting the trolley and wheel.
-  Warning: Ensure there is no risk of pinching in between moving parts.
-  Warning: Ensure work area has adequate lighting.
-  Warning: Keep work area clean and tidy and free from unrelated materials.
-  Warning: Keep children and unauthorised persons away from the work area.
-  Warning: Ensure all non essential personnel keep a safe distance when the trolley is in use.

-  Warning: DO NOT overload the trolley - maximum capacity is 1500kg.
DO NOT allow untrained persons to operate the trolley.
DO NOT allow anyone to ride on the trolley.
DO NOT use on tarmac as it may sink under load.
DO NOT drive the unit over edges, rough surfaces etc. when loaded, as the whole unit may overturn.
DO NOT use trolley for purposes other than for which it is designed.
DO NOT operate the trolley when you are tired or under the influence of alcohol, drugs or intoxicating medication.
DO NOT make any alterations to this device.
-  Warning: Always stand and operate the wheel trolley from behind Upright Tube (4), see fig.1. Always move the Wheel Trolley using one Handle (20) in the socket on the left hand side (as viewed in the fig.1 position) and the other Handle (19) in the Socket above Lowering Pedal (A), see fig.2.
-  Warning: Push the wheel as far onto the rollers as possible.
-  Warning: Ensure that the load can not tilt whilst lowering or moving.
-  Warning: Lower the wheel and secure it with the wheel support before transporting.

5. HEALTH AND SAFETY INFORMATION

5.2 SPECIFIC SAFETY INSTRUCTIONS FOR WHEEL TROLLEY USE



Warning: It is of the greatest importance for safety that the wheel trolley is secured by the locking mechanism on the nearest hole before manoeuvring the unit. If the lock is not used, the wheel trolley could come apart while carrying the load and the wheel could tip out.



Warning: Maintain correct balance and footing when moving trolley and ensure that the floor is not slippery.



Warning: Wear suitable clothing to avoid snagging. DO NOT wear loose jewellery and tie back long hair. A full range of personal safety equipment is available from Draper Tools.



Warning: Replace or repair damaged parts. Use only recommended parts. Unauthorised parts may be dangerous and will invalidate the warranty.



Warning: Use a competent person to lubricate and maintain the trolley. DO NOT use brake fluid to top up hydraulic unit. Use approved hydraulic oil only.



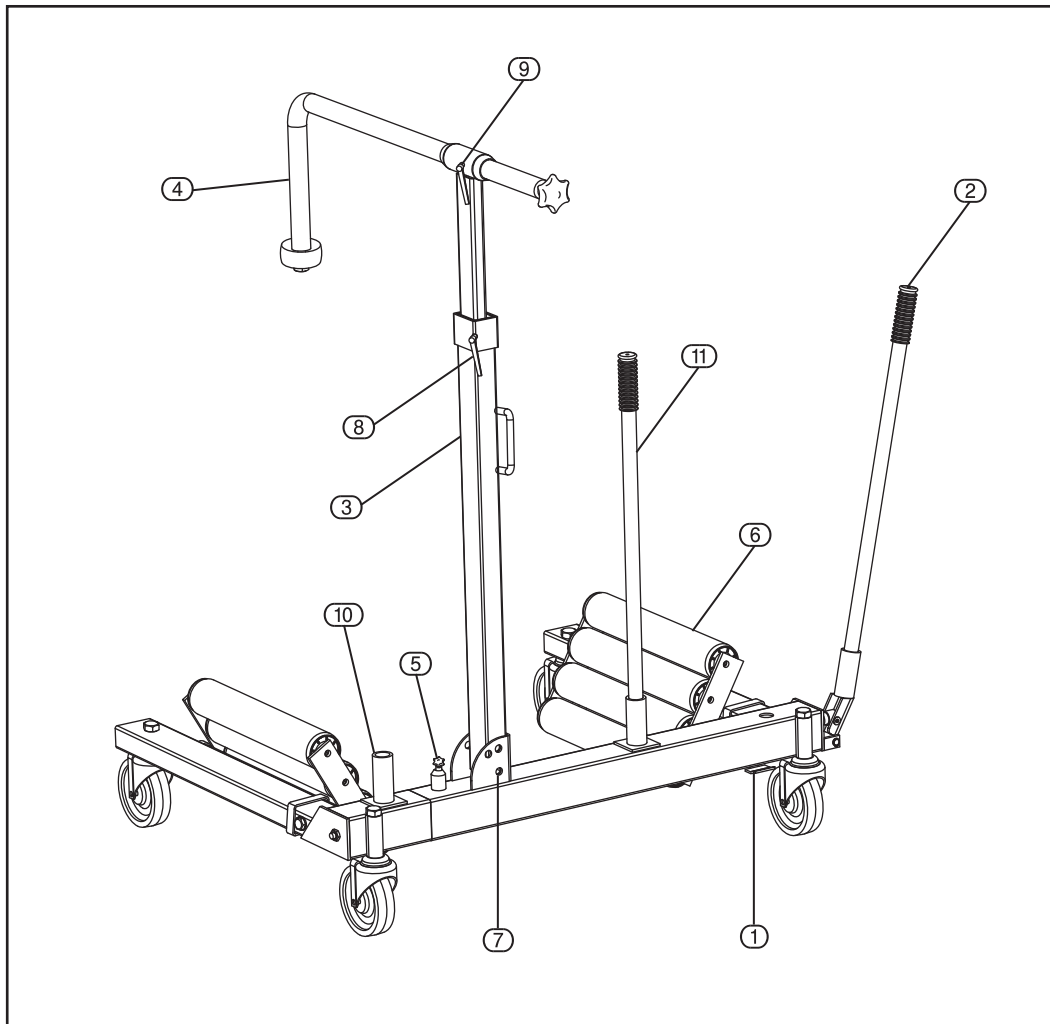
Warning: When not in use store trolley, fully lowered, in a safe, dry, childproof area.



Warning: Failure to comply with these instructions may result in loss of load, damage to trolley or other property and/or personal injury.

6. TECHNICAL DESCRIPTION

6.1 IDENTIFICATION



- ① Lowering pedal.
- ② Pump lever.
- ③ Wheel support handle.
- ④ Clamp support arm.
- ⑤ Locking mechanism.
- ⑥ Oil reservoir access.

- ⑦ Pin.
- ⑧ Height adjustment clamp.
- ⑨ Width adjustment clamp.
- ⑩ Socket.
- ⑪ Handle.

7. UNPACKING AND CHECKING

7.1 PACKAGING

Carefully remove the product from the packaging and examine it for any sign of damage that may have happened during shipping. If any part is damaged or missing, please contact the Draper Help Line (the telephone number appears on the Title page) and do not attempt to use the product.

The packaging material should be retained at least during the guarantee period in case the machine needs to be returned for repair.

Warning!

- Some of the packaging materials used may be harmful to children. Do not leave any of these materials in the reach of children.
- If any of the packaging is to be thrown away, make sure they are disposed of correctly, according to local regulations.

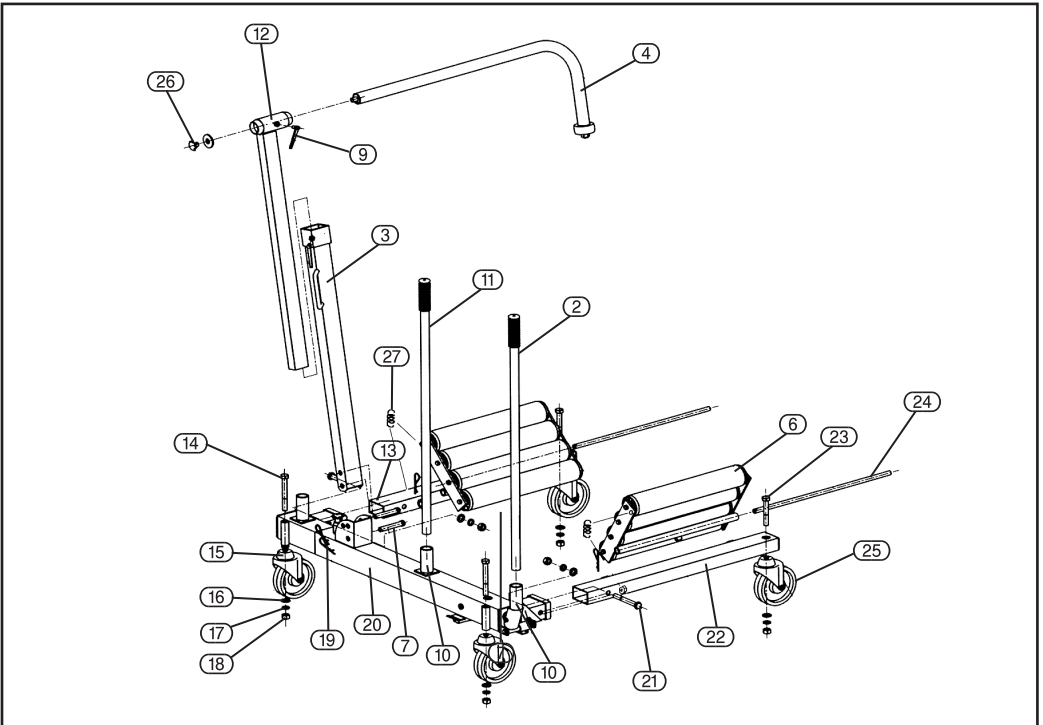
8. PREPARING THE WHEEL REMOVAL TROLLEY

8.1 ASSEMBLY

- Ensure that at least two people assemble the trolley. Fit support frame (left) (13) to frame (20). Use bolt M6x110mm (21), flat washer 16mm (16), spring washer 16mm (17) and nut M16 (18).
- Fit support frame (right) (22) to frame (20). Use bolt M16x110mm (21), flat washer 16mm (16), spring washer 16mm (17) and nut M16 (18).

NOTE: Support frames are not handed. Ensure warning symbols are upwards and visible on the trolley.

- Fit braked castors (15) to frame (20). Use bolt M16x130mm (14), flat washer 16mm (16), spring washer 16mm (17) and nut M16 (18).
- Fit unbraked castors (25) to the end of the support frame (left) (13) and support frame (right) (22). Use bolt M16x100mm (23), flat washer 16mm (16), spring washer 16mm (17) and nut M16 (18).
- Fit roller table (6). Hold the table in place and insert mounting bar (24) with "R" clip hole end going in first. Secure with "R" clips (19).
- Fit roller table tension springs (27). Insert top end of spring into the hole end of the roller table (6) and the other end of the spring into the nut welded onto the inner edges of support frame (right) (22) and support frame (left) (13).
- Fit wheel support (3) to frame (20) with handle to rear. Use pin (7) and "R" clip (19). Ensure "R" clips are on the outside of the frame as shown in Fig.1.
- Insert clamp support arm (4) into sliding tube (12), (remove hand wheel and washer (26) first) and tighten clamp (9). Insert into wheel support (3), tighten clamp on wheel support (3).
- Insert handles (2) and (11) into sockets (10) as shown in Fig.1.



9. OPERATING THE WHEEL REMOVAL TROLLEY

9.1 USING THE WHEEL REMOVAL TROLLEY TO REMOVE A WHEEL

- Position the vehicle on a suitable floor and apply the handbrake.
- Jack up the vehicle with a suitable jack so that it clears the floor. Secure with axle stands.
- Depress the lowering pedal (1).
- Pump the wheel changer lever (2).
- Adjust the wheel support handle (3) so that the clamp support arm (4) is positioned over the wheel.
- Push the unit under the wheel so that the roller tables are positioned either side of the wheel and that the wheel sits up against the wheel support handle (3).
- Check that the lowering pedal (1) is in its upright position. Pump the unit together until the wheel and the unit cannot move apart.
- Lower the clamp support arm (4) behind the wheel and adjust until the wheel is vertical and can be moved approximately 5cm sideways. This will allow the wheel to be rotated in the wheel changer for when the wheel nuts require relocating. Lock the clamp support arm in position by tightening and adjusting clamps (8) and (9).

NOTE: The angle of the wheel supports can be adjusted by the removal of pin (7) to accommodate different wheels.

WARNING!: Wheel support (3) and clamp support arm (4) are only used to balance and support the wheel, NOT to take a load.

- Lift the wheel by pumping the lever (2). When the wheel is positioned on the unit the wheel changer must be secured in the lifting position with the locking mechanism (5).

IMPORTANT: Ensure that the locking mechanism (5) is secured through the nearest location hole on the inner member. This prevents unintentional lowering of the wheel while it is being handled.

- With the wheel nuts removed the wheel can now be safely carried away on the wheel remover.
- Put pump lever (2) into socket (10). Use with handle (11) to push the wheel remover.

9.2 UNLOADING THE WHEEL REMOVAL TROLLEY

- When the wheel is located on the wheel studs and secured with the wheel nuts or the wheel has been moved to a place for storage, the wheel can be released.
- Loosen clamp support (4) by releasing adjustment clamps (8) and (9).
- Lift and release locking mechanism (5).
- Press down the lowering pedal (1). Pump apart the wheel changer with the pump lever (2).
- Adjust the wheel support arm (4) so that it does not catch on the top of the wheel before manoeuvring the wheel changer clear of the wheel.

10. MAINTENANCE AND TROUBLESHOOTING

10.1 MAINTENANCE

- **Daily:** Check for any damage and fluid leaks.
- **Every 8 working hours:** Check hydraulic oil level. Ensure that the trolley is pumped apart to its widest position. Remove the oil reservoir filler plug and check oil level. Top up as necessary using hydraulic oil only. Correct oil level should be at the bottom of the threads of the oil reservoir filler plug aperture.
- **Monthly:** Lubricate moving parts and check for abnormal wear and tear.

IMPORTANT: NO RESPONSIBILITY IS ACCEPTED FOR INCORRECT USE OF THIS PRODUCT.

10.2 TROUBLESHOOTING

- Roller tables will not extend to their full width - low hydraulic level (see maintenance).
- Pump lever ineffective - hydraulic oil level too high. Check and drain (see maintenance).

11. DISPOSAL

11.1 DISPOSAL

- At the end of the machine's working life, or when it can no longer be repaired, ensure that it is disposed of according to national regulations.
- Contact your local authority for details of collection schemes in your area.

In all circumstances:

- Do not dispose of power tools with domestic waste.
- Do not incinerate.
- Do not dispose of WEEE* as unsorted municipal waste.



* *Waste Electrical & Electronic Equipment.*

12. EXPLANATION OF SYMBOLS

12.1 EXPLANATION OF SYMBOLS



Read operator's manual.



During operation

Danger from unsecured load.
The operator must ensure that wheels to be carried by the machine are correctly loaded and supported in accordance with the operating instructions.



During operation

Always use the locking mechanism which locks the lifting rollers in position before manoeuvring the loaded wheel changer.



During operation

Potential slip/fall hazard. Never stand or ride on the wheel changer when working with the machine.

NOTES

NOTES

NOTES

NOTES

CONTACTS

**Draper Tools Limited, Hursley Road,
Chandler's Ford, Eastleigh, Hampshire. SO53 1YF. U.K.**

Helpline: (023) 8049 4344

Sales Desk: (023) 8049 4333

Internet: drapertools.com

E-mail: sales@drapertools.com

General Enquiries: (023) 8026 6355

Service/Warranty Repair Agent:

**For aftersales servicing or warranty repairs, please contact the
Draper Tools Helpline for details of an agent in your local area.**

YOUR DRAPER STOCKIST