



DRAPER[®]

RIGID

TOWING BRACE

99650, 99653, 99654



These instructions accompanying the product are the original instructions. This document is part of the product, keep it for the life of the product passing it on to any subsequent holder of the product. Read all these instructions before assembling, operating or maintaining this product.

This manual has been compiled by Draper Tools describing the purpose for which the product has been designed, and contains all the necessary information to ensure its correct and safe use. By following all the general safety instructions contained in this manual, it will ensure both product and operator safety, together with longer life of the product itself.

All photographs and drawings in this manual are supplied by Draper Tools to help illustrate the operation of the product.

Whilst every effort has been made to ensure the accuracy of information contained in this manual, the Draper Tools policy of continuous improvement determines the right to make modifications without prior warning.

1. TITLE PAGE

INTRODUCTION:

USER MANUAL FOR: Rigid Towing Brace

Stock No's: 99650, 99653, 99654

Part No's: TT101, TT104, TT105

REVISIONS:

Date first published March 2020.

As our user manuals are continually updated, users should make sure that they use the very latest version.

Downloads are available from: <http://drapertools.com/manuals>

Draper Tools Limited, Hursley Road

Chandler's Ford, Eastleigh, Hampshire

SO53 1YF. UK

Website: drapertools.com

Product Help Line: +44 (0) 23 8049 4344

General Fax: +44 (0) 23 8026 0784

UNDERSTANDING THIS MANUALS SAFETY CONTENT:

Warning! – Information that draws attention to the risk of injury or death.

Important – Information that draws attention to the risk of damage to the product or surroundings.

COPYRIGHT © NOTICE:

Copyright © Draper Tools Limited.

Permission is granted to reproduce this publication for personal and educational use only. Commercial copying, redistribution, hiring or lending is prohibited.

No part of this publication may be stored in a retrieval system or transmitted in any other form or means without written permission from Draper Tools Limited.

In all cases this copyright notice must remain intact.

2. WARRANTY

Draper tools have been carefully tested and inspected before shipment and are guaranteed to be free from defective materials and workmanship.

Should the tool develop a fault, please return the complete tool to your nearest distributor or contact:

**Draper Tools Limited, Chandler's Ford, Eastleigh,
Hampshire, SO53 1YF. England.**

Telephone Sales Desk: +44 (0) 23 8049 4333 or

Product Help Line: +44 (0) 23 8049 4344

A proof of purchase **must** be provided with the tool.

If upon inspection it is found that the fault occurring is due to defective materials or workmanship, repairs will be carried out free of charge. This warranty period covering parts and labour is lifetime from the date of purchase except where tools are hired out when the warranty period is 90 days from the date of purchase. This warranty does not apply to any consumable parts, any type of battery or normal wear and tear, nor does it cover any damage caused by misuse, careless or unsafe handling, alterations, accidents, or repairs attempted or made by any personnel other than the authorised Draper warranty repair agent.

Note: If the tool is found not to be within the terms of warranty, repairs and carriage charges will be quoted and made accordingly.

This warranty applies in lieu of any other warranty expressed or implied and variations of its terms are not authorised.

Your Draper warranty is not effective unless you can produce upon request a dated receipt or invoice to verify your proof of purchase within the warranty period.

Please note that this warranty is an additional benefit and does not affect your statutory rights.

Draper Tools Limited.

3. HEALTH AND SAFETY INFORMATION

- **Keep the towing brace in good condition.** If the towing brace is damaged in any way, do not use.
- **Consult the vehicle manufacturer's handbook to confirm if the vehicle is equipped with the necessary towing fittings that are suitable for use with a towing brace.**

Warning! Additional special instruction may be required for Hybrid/Electrical vehicles, or vehicles with automatic transmission or four wheel drive. **Always** check with the vehicle manufacturer for the correct procedure before towing **any** vehicle.

- **Only use the towing brace with vehicles equipped with standard towing eyes.** DO NOT use transportation 'tie down' points.
- **Ensure the tow eyes and surrounding areas are not damaged or heavily corroded.** Make sure the towing eyes of both vehicles are at an approximately equidistant height from the ground.
- **Ensure an 'ON TOW' sign is visible at the rear of the towed vehicle.** Attach a red marker at the centre point of the towing brace (an 'ON TOW' sign and red marker flag are included with the towing brace).
- **The towed vehicle must have a visible registration number plate in place and be fully road-legal, with current MOT test certificate, insurance and up-to-date vehicle tax.**
- **The towed vehicle must have an operational ignition to operate lights, brake lights and indicators.** If these lights cannot be operated a repeater trailer board must be used. Contact your local Draper stockist for more information relating to these products.
- **Make the driver of the towed vehicle aware that the efforts of steering and braking will be very more pronounced when the engine is not running.**
- **The maximum towing vehicle weight and towed vehicle weight for the towing brace is dependent on its own individual specifications .**
- **NEVER** exceed the rated capacity of the towing brace.
- **NEVER** exceed a maximum towing speed of 15mph.
- **NEVER** use the towing brace if damaged or any parts are missing.
- **NEVER** use the towing brace if the steering lock cannot be disengaged.
- **NEVER** use the towing brace on a vehicle with a defective braking system.
- **NEVER** tow an unmanned vehicle.
- **NEVER** use the towing brace for any task it is not designed for.
- **NEVER** allow untrained personnel to use the towing brace.

Warning!

Draper Tools Ltd accepts no responsibility for accidents or loss sustained in the use or misuse of this product.

4. SPECIFICATION

The towing brace consists of three sections with multi position holes, pins and 'R' clip, or push fit locking systems. Stock No.99653 features a centre section with spring damper.

Stock No's: 99650 99653 99654

Part No's: TT101 TT104 TT105

Maximum rated load:

..... 2500kg 2000kg 2000kg

Maximum rated

strength: 11.8kN 11.8kN 11.8kN

Maximum overall

length: 1860mm 1840mm 1840mm

2 x bar hook sections:

Length: 690mm 600mm 665mm

Shaft diameter: 30mm 26mm 26mm

Sliding lock

diameter: 65mm 39mm 39mm

1 x Centre section:

Length: 655mm 850mm 660mm

Diameter: 35mm 34mm 34mm

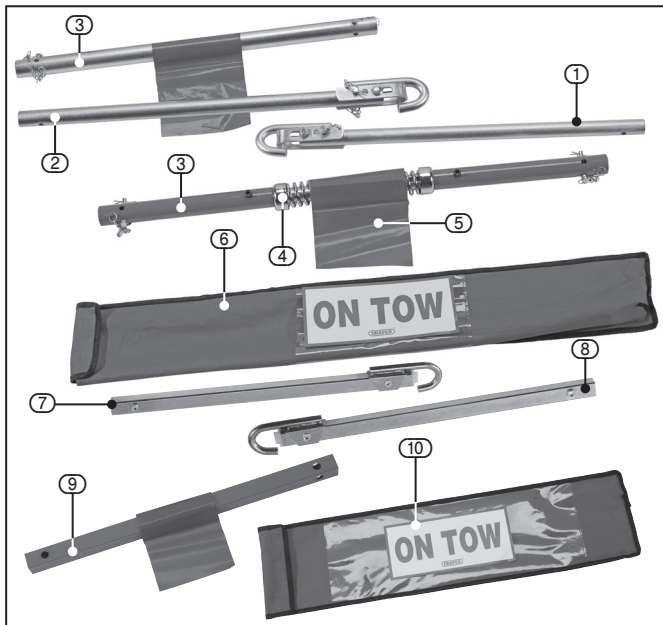
■ Spring damper (Stock No.99653 only):

Length: N/A 265mm N/A

Diameter: N/A 46mm N/A

Weight: 4.6kg 4kg 5.1kg

5. TECHNICAL DESCRIPTION



① Bar hook end section (recovery end) – 99653/99654.

② Bar hook end section (towing end) – 99653/99654.

③ Centre section – 99654.

④ Spring damper – 99653.

⑤ Warning flag.

⑥ Storage bag.

⑦ Bar hook end section (towing end) – 99650.

⑧ Bar hook end section (recovery end) – 99650.

⑨ Centre section – 99650.

⑩ 'On Tow' sign.

5. ASSEMBLING THE TOWING BRACE

Remove the product from its packaging. Check that all component parts are present. If any part is missing or damaged contact Draper Tools.

ASSEMBLING 99653 & 99654 (FIG.1)

1. Attach the two bar hook end sections ①/② to the centre section ③.
2. Secure just the towing end hook section ① with the pin **A** and the 'R' clip **B**. Alternative pin holes are included in the centre section **K** / **L** for horizontal or vertical tow eyes so that the two tow end hooks are always square-on to the tow eyes.
3. Position the two vehicles so that the distance between both towing eyes is approximately 1.84 metres.
4. Slide back and rotate the gate of the tow end hook **C** clear and fit the hook to the towing eye of the recovery vehicle.
5. Push the hook gate up against the tow eye and fix in position with the pin **A** and 'R' clip **B**.
6. Using the same principle, fit the bar hook end section (Towing end) ②, to the vehicle to be towed, sliding the middle section ③ to fit, as necessary.
7. Carefully manoeuvre the towing vehicle backwards or forwards so that the pin holes in sections ② and ③ are aligned as necessary. Locate and secure with pins **H** / **I** and 'R' clips **G** / **J**.

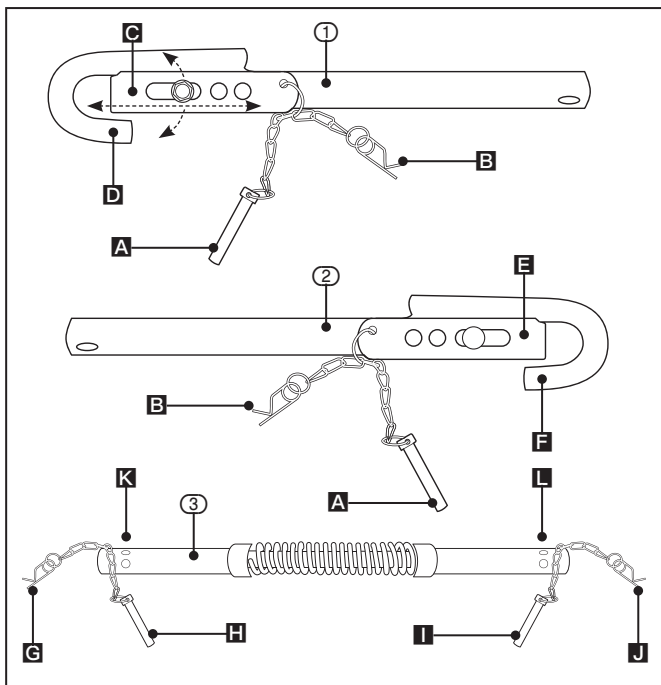


FIG.1

ASSEMBLING 99650 (FIG.2).

The assembly mechanism for this Stock No. is slightly different as it is assembled using a sprung push-fit locking system instead of the pin and clip system utilised by stock No's 99653 and 99654.

- The three sections are assembled by slotting together. To disassemble, press the sprung locking buttons **M** whilst pulling the sections apart.
- To assemble, follow the procedure for assembly and vehicle connection outlined in the above steps for stock No's. 99653/99654 – omitting the steps utilising pins and clips.

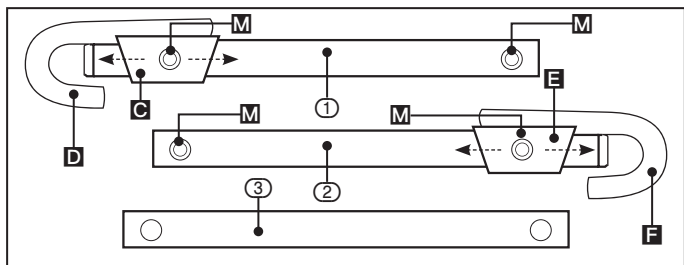


FIG.2

Important!

Before you attempt to use this equipment for its intended use, ensure you have read and fully understand the Health and Safety Information on page 3 of these instructions.

6. DISPOSAL

- At the end of the machine's working life, or when it can no longer be repaired, ensure that it is disposed of according to national regulations.
- Contact your local authority for details of collection schemes in your area.

7. EXPLANATION OF SYMBOLS



Read the instruction manual.



Warning!



Maximum towing brace length between vehicles.



General mandatory action required.



Maximum towing weight of towed vehicle.

CONTACTS

Draper Tools Limited, Hursley Road,
Chandler's Ford, Eastleigh, Hampshire.
SO53 1YF. U.K.

Website: drapertools.com

email: sales@drapertools.com

Product Help Line: +44 (0) 23 8049 4344

Sales Desk: +44 (0) 23 8049 4333

General Enquiries: +44 (0) 23 8026 6355

Service/Warranty Repair Agent:

For aftersales servicing or warranty repairs, please contact the **Draper Tools Help Line** for details of an agent in your local area.

YOUR DRAPER STOCKIST

DBCH0420

©Published by Draper Tools Limited.

No part of this publication may be reproduced, stored in a retrieval system or transmitted in any form or by any means, electronic, mechanical photocopying, recording or otherwise without prior permission in writing from Draper Tools Ltd.