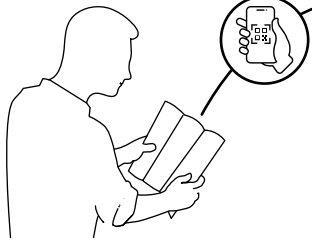
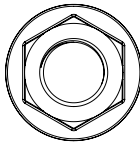




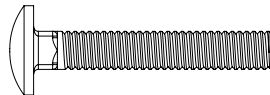
IN8057 *Pipe Carrier*



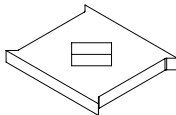
FX4011 X4
(M8)



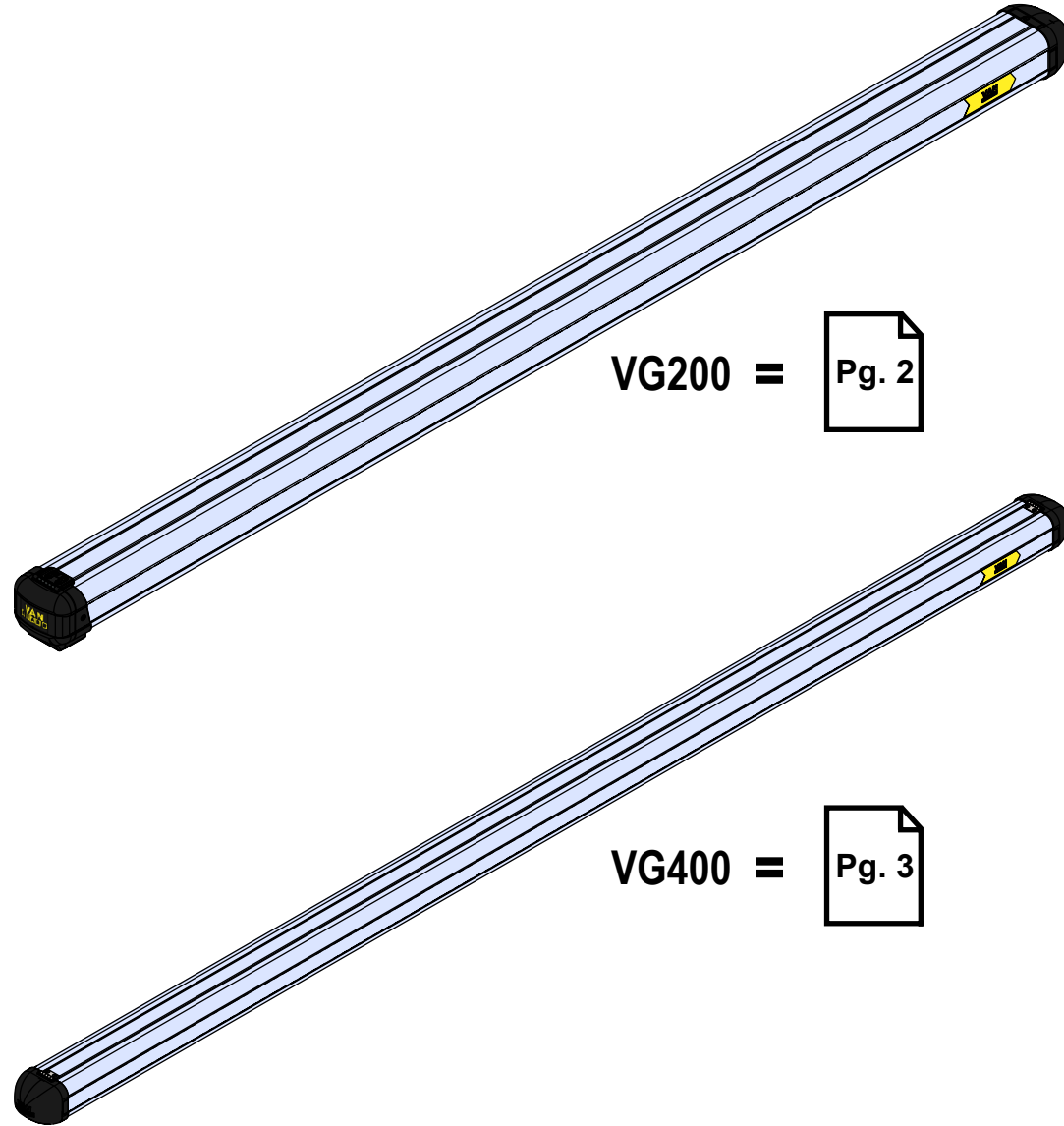
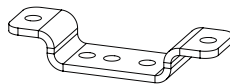
FX4048 X4
(M8X50)



ME0446 X4



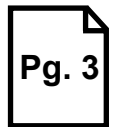
ME0897 X2



VG200 =



VG400 =



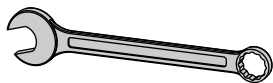
- EN** - SAFETY AND PRODUCT INFORMATION
- DE** - SICHERHEITS- UND PRODUKTINFORMATIONEN
- FR** - INFORMATIONS DE SÉCURITÉ ET DU PRODUIT
- NL** - VEILIGHEIDS- EN PRODUCTINFORMATIE
- ES** - INFORMACIÓN DE SEGURIDAD Y DEL PRODUCTO
- IT** - INFORMAZIONI SULLA SICUREZZA E SUL PRODOTTO
- SV** - SÄKERHETS- OCH PRODUKTINFORMATION
- DA** - SIKKERHEDS- OG PRODUKTINFORMATION
- NO** - SIKKERHETS- OG PRODUKTINFORMASJON
- PL** - INFORMACJE O BEZPIECZEŃSTWIE I PRODUKCIE
- CS** - INFORMACE O BEZPEČNOSTI A PRODUKTU



Customercare@van-guard.co.uk
UK +44 (0) 1392 368 351

TOOLS REQUIRED

13MM X1



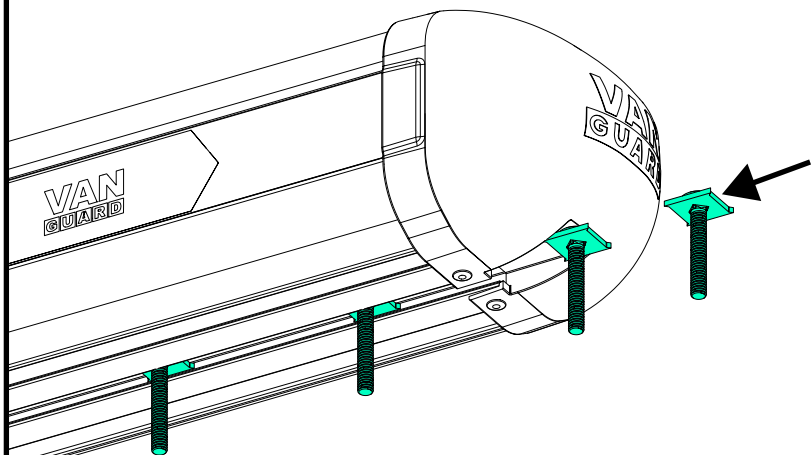
This FITTING INSTRUCTION is the property of VAN GUARD ACCESSORIES LTD. and must not be used for manufacturing purposes, copied nor communicated in any way to third parties without written permission from VAN GUARD ACCESSORIES LTD.
IN8057_C (CN:01048)

Van Guard Accessories Ltd
Fair Oak Close, Exeter Airport Business Park,
Exeter, Devon, EX5 2JL
www.van-guard.co.uk

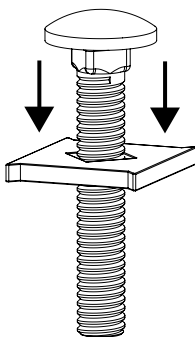
VG200

Maxi Pipe Carrier

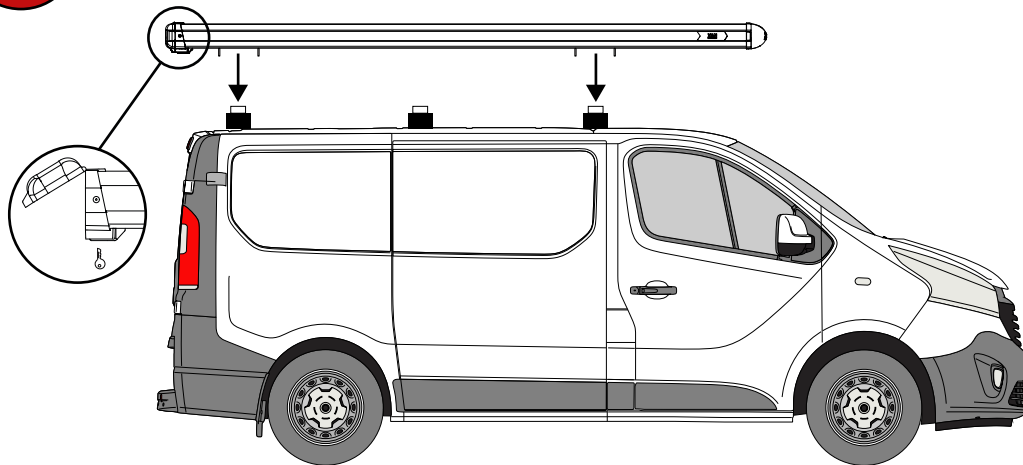
01



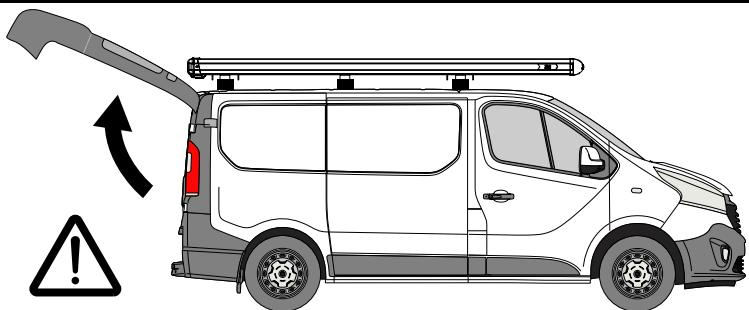
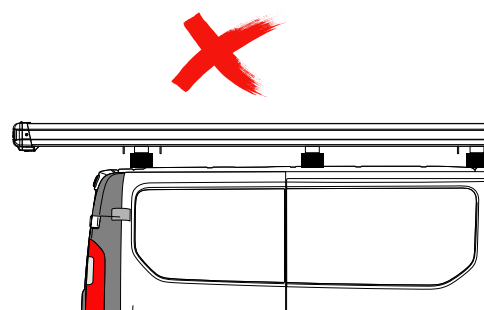
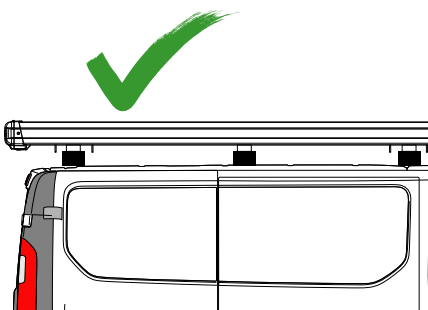
X4



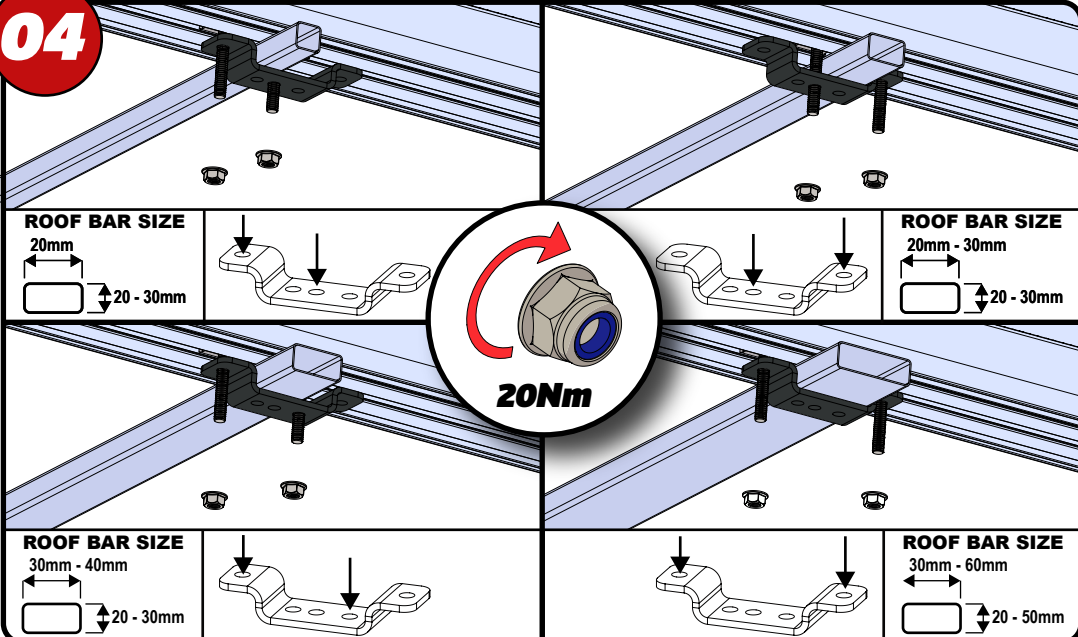
02



03

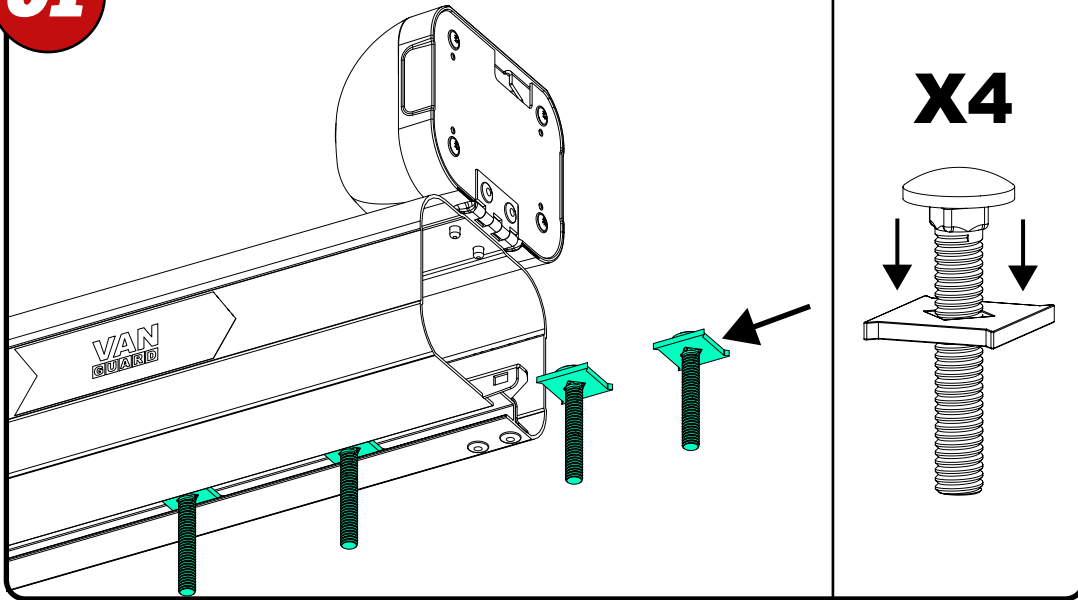


04

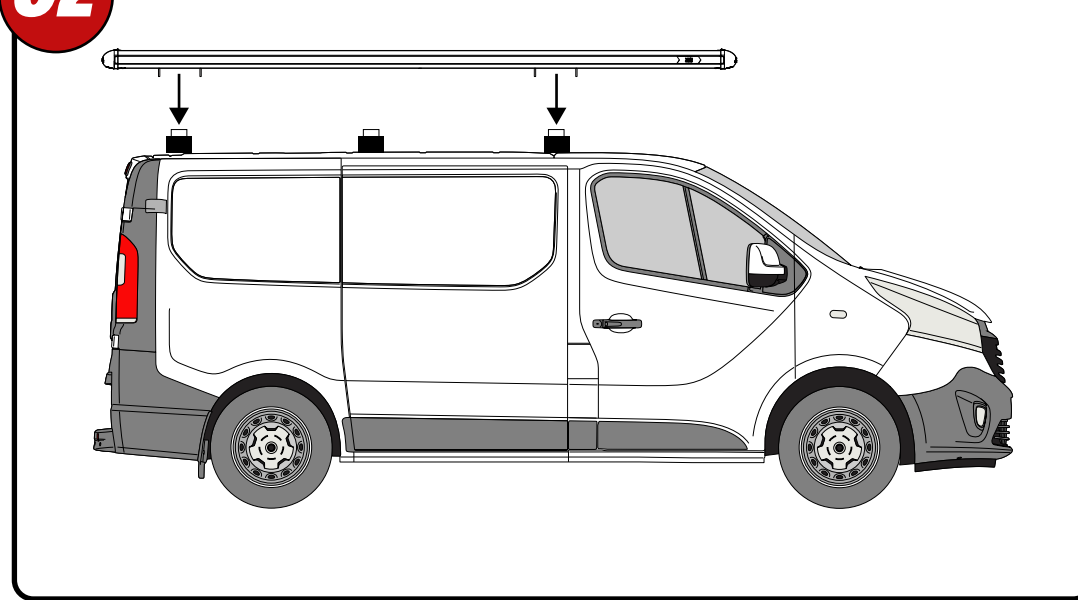


VG400 *Standard Pipe Carrier*

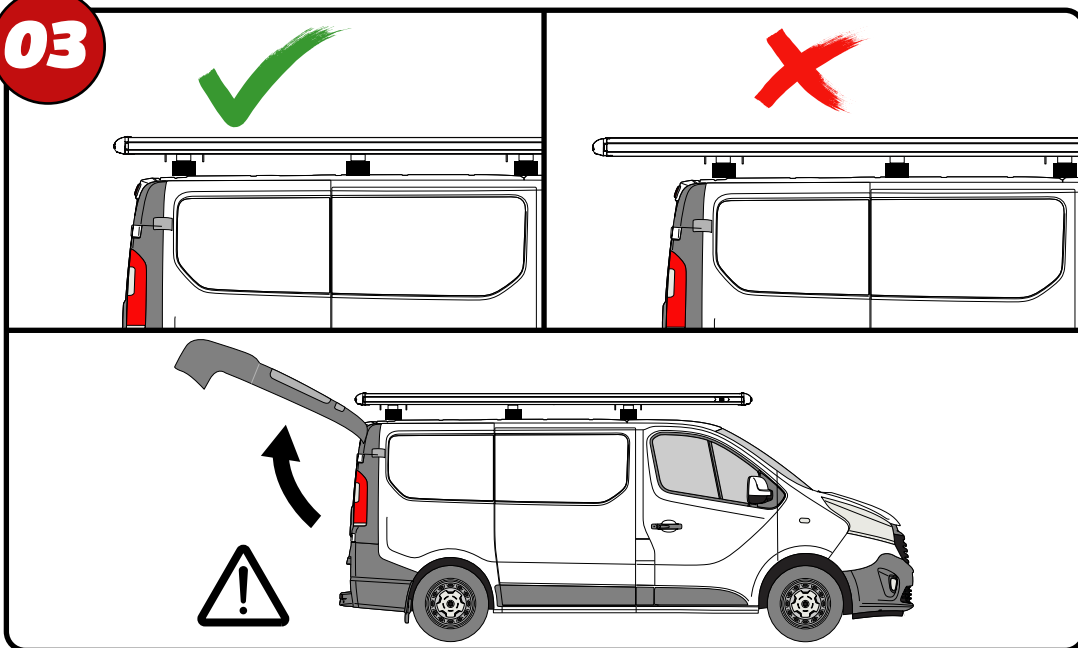
01



02



03



04

