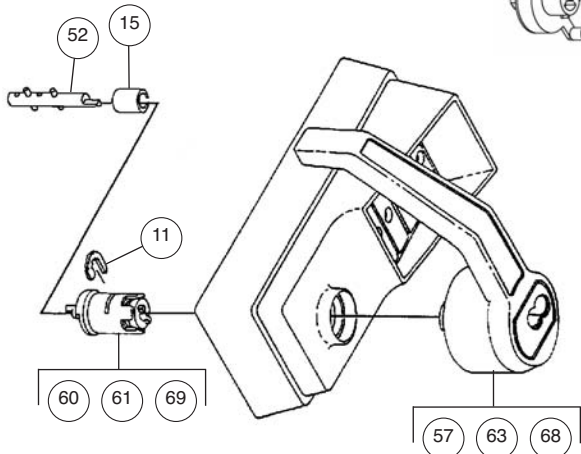
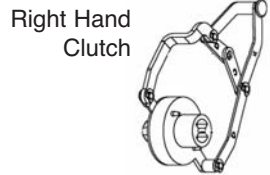
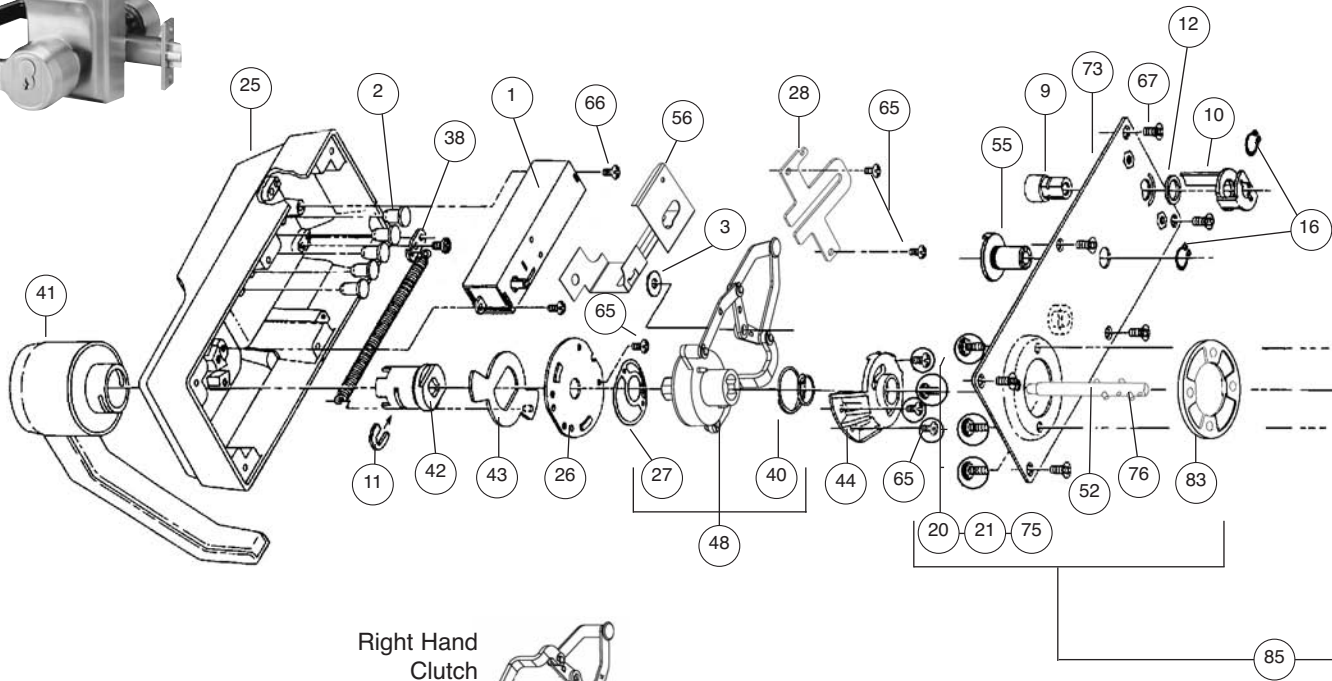
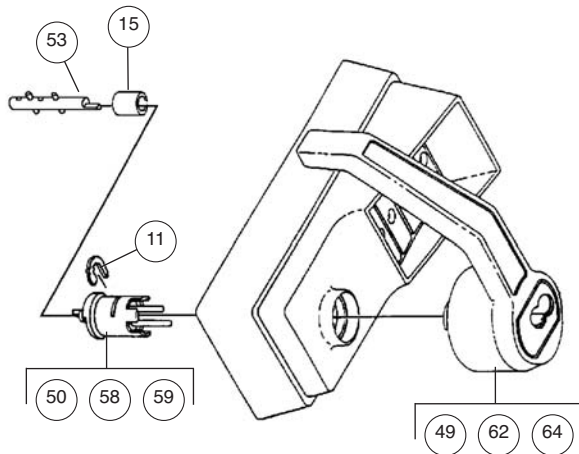


Simplex L1000 Series

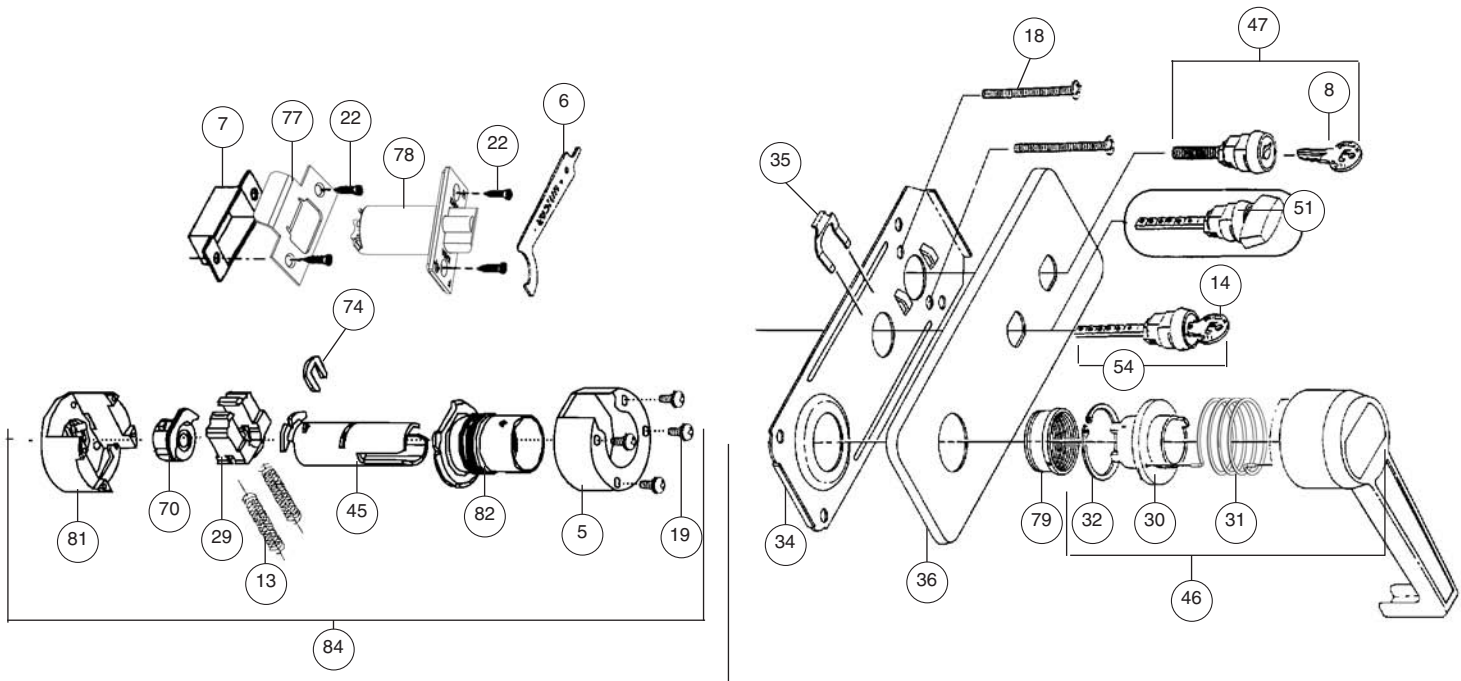


Key Override Models:
 Medeco/ASSA/Yale
 Schlage



Key Override Models:
 Best & Equivalents
 Corbin/Ruswin
 Sargent

*See inside front cover for
 How to Order instructions*



L1000 Series Service Kit



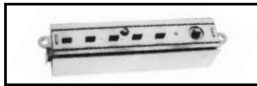
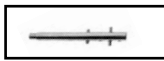
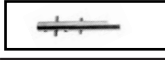

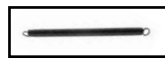

Parts Included in Kit

- Chamber Shaft Bushing
- Clutch Assembly
- Combination Chamber
- Drive Shaft (No Key Override)
- Drive Shaft (key Override)
- Extension Spring
- Fixed Sleeve
- Stop Plate

Left Hand: 203038-000-01 \$165.00 each

Right Hand: 203037-000-01 \$165.00 each

LH L1000 Series Service Kit

 LH Clutch Assembly	 Fixed Sleeve	 Combination Chamber
 Standard Drive Shaft	 K/O Drive Shaft	 Chamber Shaft Bushing
 Lever Return Spring	 LH Stop Plate	

Left Hand Kit Shown

L1000 Series (continued)

Item	Qty/Lock	Description	Finish	Part Number	List Prices (USD)
1	1	Combination Chamber (M-63/M-56) (Old # 201764-000-0)		74366-000-01	\$81.00
2	5	Pushbuttons (10 pack)	Black	200024-106-10	\$11.00
			Silver	200024-109-10	\$11.00
3	1	Bushing, Shaft (5 pack)		200026-000-05	\$10.00
5	1	Cover for Shoe Housing		201277-000-01	\$9.00
6	1	Installation Wrench (spanner wrench) (Includes 1 ea #6, #8)		201278-000-01	\$9.00
7	1	Strike Box		201287-000-01	\$8.00
8	2	DF-59 Key (Includes #6, #8)		201278-000-01	\$9.00
9	1	Combination Change Stud Kit (Includes 1 ea #9, #10, #12, #16)		201336-000-01	\$11.00
10	1	Combination Change Sleeve Kit (Includes 1 ea #9, #10, #12, #16)		301336-000-01	\$11.00
11	1	Front Knob Retainer Clip (5 Pack)		201343-000-05	\$10.00
12	1	Combination Change Sleeve Washer Kit (Includes 1 ea #9, #10, #12, #16)		201336-000-01	\$11.00
13	2	Shoe Spring (For Cylindrical Drive Unit) (10 pack)		201366-000-10	\$9.00
14	2	Key DF-5 (For Passage Set) (2 pack)		201422-000-02	\$7.00
15	1	Shaft Self-Aligning Bushing (For Models 1021 & 1041)		201425-000-01	\$9.00
16	2	Retainer Ring 3/8" I.D. (10 pack)		201440-000-10	\$6.00
18	2	Screw, 8-32 x 2 1/2" (For Mounting) (Includes 1 ea #23, #76; 2 ea #18, #83; 4 ea #20, 21, #22, #75)	Satin Chrome	204210-26D-01	\$10.00
			Bright Brass	204210-03-01	\$10.00
			Antique Brass	204210-05-01	\$10.00
19	4	Sems Screw, Phillips 6-32 x 1/4" R.H.M.S. (For Shoe Housing Cover) (10 pack)		201446-000-01	\$7.00
20	4	Sems Screw, Phillips 8-32 x 7/16" R.H.M.S. (For Spacer) (Includes 1 ea #23, #76; 2 ea #18, #83; 4 ea #20, 21, #22, #75)	Satin Chrome	204210-26D-01	\$10.00
			Bright Brass	204210-03-01	\$10.00
			Antique Brass	204210-05-01	\$10.00
21	4	Sems Screw, Phillips 8-32 x 5/16" R.H.M.S (For Spacer) (Includes 1 ea #23, #76; 2 ea #18, #83; 4 ea #20, 21, #22, #75)	Satin Chrome	204210-26D-01	\$10.00
			Bright Brass	204210-03-01	\$10.00
			Antique Brass	204210-05-01	\$10.00
22	4	Combination Screw, Phillips 8-32 x 3/4" (For latch and strike plate) (10 pack)	Satin Chrome	201565-26D-10	\$10.00
			Bright Brass	201565-03-10	\$10.00
			Antique Brass	201565-05-10	\$10.00
23	1	Rubber Bumper (For Door Frame) (Self Adhesive Strip of 4) (5 pack)		201568-000-05	\$10.00
24	1	Spacer for Medeco 5 - 6 pin Medeco/ASSA		201569-000-01	\$15.00
25	1	Front Lock Housing	Satin Chrome	201700-26D-01	\$72.00
			Bright Chrome	201700-026-01	\$72.00
			Bright Brass	201700-03-01	\$72.00
			Antique Brass	201700-05-01	\$72.00
26	1	Clutch Backing Plate		201708-000-01	\$8.00
27	1	Double Wave Spring (Includes 1 ea #27, #40)		201768-000-01	\$10.00
28	1	Guide Bracket		201721-000-01	\$8.00
29	1	Retractor Shoe		201723-000-01	\$10.00
30	1	Inside Lever Fixed Sleeve RH (Includes 1 ea #30, #31, #32) LH (Includes 1 ea #30, #31, #32)		201727-000-01	\$36.00
				201733-000-01	\$36.00
31	1	Inside Lever Coil Return Spring RH LH		201730-000-01	\$10.00
				201732-000-01	\$10.00
32	1	Inside Lever Fixed Sleeve Retainer Clip		201734-000-01	\$7.00
33	1	Unified Trim Plate - Standard (Not Shown on Exploded View)	Satin Chrome	201736-26D-01	\$28.00
			Bright Chrome	201736-026-01	\$28.00
			Bright Brass	201736-03-01	\$28.00
			Antique Brass	201736-05-01	\$28.00
34	1	Reinforcing Plate		201738-000-01	\$11.00
35	1	Spring Clip (For passage set) (10 pack)		201740-000-10	\$9.00
36	1	Unified Trim Plate - Passage Set Model	Satin Chrome	201745-26D-01	\$28.00
			Bright Chrome	201745-026-01	\$28.00
			Bright Brass	201745-03-01	\$28.00
			Antique Brass	201745-05-01	\$28.00
38	1	Outside Lever Return Spring Kit RH (Includes 1 ea #38, #43) LH (Includes 1 ea #38, #43)		201773-000-01	\$14.00
				201774-000-01	\$14.00
40	1	Balance Spring (Includes 1 ea #27, #40)		201768-000-01	\$10.00
41	1	Outside Lever Handle Assembly Non Key Override* RH	Satin Chrome	201770-26D-01	\$99.00
			Bright Chrome	201770-026-01	\$99.00
			Bright Brass	201770-03-01	\$99.00
			Antique Brass	201770-05-01	\$99.00
	LH	Satin Chrome	201771-26D-01	\$99.00	
		Bright Chrome	201771-026-01	\$99.00	
		Bright Brass	201771-03-01	\$99.00	
		Antique Brass	201771-05-01	\$99.00	

*When ordering an outside lever assembly for older locks, it may be necessary to order a respective outside drive sleeve assembly. (See Conversion Assemblies)

L1000 Series (continued)

Item	Qty/Lock	Description	Finish	Part Number	List Prices (USD)
42	1	Outside Drive Sleeve Assembly Non Key Override (Includes 1 ea #11, #42)		201772-000-01	\$22.00
43	1	Stop Plate Assembly Kit (Includes 1 ea #38, #43)	RH	201773-000-01	\$14.00
			LH	201774-000-01	\$14.00
44	1	Clutch Cover Assembly	RH	201780-000-01	\$11.00
			LH	201781-000-01	\$11.00
45	1	Inside Drive Sleeve Assembly (Includes 1 ea #45, #74)		201782-000-01	\$13.00
46	1	Inside Lever Assembly RH (Includes 1 ea #30, #31, #32)	Satin Chrome	201785-26D-01	\$125.00
			Bright Chrome	201785-026-01	\$125.00
			Bright Brass	201785-03-01	\$125.00
			Antique Brass	201785-05-01	\$125.00
	LH (Includes 1 ea #30, #31, #32)	LH	Satin Chrome	201786-26D-01	\$125.00
		Bright Chrome	201786-026-01	\$125.00	
		Bright Brass	201786-03-01	\$125.00	
		Antique Brass	201786-05-01	\$125.00	
47	1	Combination Change Plug Assembly with (2) DF59 keys (Includes 2 ea #8)	Satin Chrome	201785-26D-01	\$15.00
			Bright Brass	201787-03-01	\$15.00
			Antique Brass	201787-05-01	\$15.00
48	1	Clutch Assembly (Includes 1 ea #27, #40, #48)	RH	201788-000-01	\$50.00
			LH	201789-000-01	\$50.00
49	1	Best Outside Lever Assembly* (Also fits Falcon / Arrow / Eagle & KSP / Lloyd Matheson Removable Core) RH	Satin Chrome	201790-26D-01	\$152.00
			Bright Chrome	201790-026-01	\$152.00
			Bright Brass	201790-03-01	\$152.00
			Antique Brass	201790-05-01	\$152.00
	LH	Satin Chrome	201791-26D-01	\$152.00	
		Bright Chrome	201791-026-01	\$152.00	
		Bright Brass	201791-03-01	\$152.00	
		Antique Brass	201791-05-01	\$152.00	
50	1	Best Outside Drive Sleeve Assembly (Also fits Falcon / Arrow / Eagle & KSP / Lloyd Matheson Removable Core) (Includes 1 ea #11, #50)		201792-000-01	\$29.00
51	1	Passage set thumbturn Plug Assembly (Includes 1 ea #35, #51)	Satin Chrome	201807-26D-01	\$15.00
			Bright Brass	201807-03-01	\$15.00
			Antique Brass	201807-05-01	\$15.00
52	1	Drive Shaft Assembly (Standard)		201812-000-01	\$13.00
53	1	Drive Shaft Assembly (Key Override)		201813-000-01	\$18.00
54	1	Passage Set Key Turn Plug Assembly with (2) DF-5 keys	Satin Chrome	201818-26D-01	\$15.00
			Bright Brass	201818-03-01	\$15.00
			Antique Brass	201818-05-01	\$15.00
55	1	Chamber Release Cam (Includes 1 ea #16, #55, #56) (For Passage Set)		201825-000-01	\$18.00
56	1	Chamber Release (Includes 1 ea #16, #55, #56) (For Passage Set)		201825-000-01	\$18.00
57	1	Schlage Outside Lever Assembly RH	Satin Chrome	201829-26D-01	\$166.00
			Bright Chrome	201829-026-01	\$166.00
			Bright Brass	201829-03-01	\$166.00
			Antique Brass	201829-05-01	\$166.00
	LH	Satin Chrome	201830-26D-01	\$166.00	
		Bright Chrome	201830-026-01	\$166.00	
		Bright Brass	201830-03-01	\$166.00	
		Antique Brass	201830-05-01	\$166.00	
58	1	Sargent Outside Drive Sleeve Assembly (Includes 1 ea #11, #58)		201831-000-01	\$42.00
59	1	Corbin / Russwin Outside Drive Sleeve Assembly (Includes 1 ea #11, #59)		201832-000-01	\$42.00
60	1	Schlage Outside Drive Sleeve Assembly (Includes 1 ea #11, #60)		201840-000-01	\$42.00
61	1	Medeco / ASSA / Yale Outside Drive Sleeve Assembly (Old ASSA #204010) (Includes 1 ea #11, #61)		201842-000-01	\$42.00
62	1	Sargent Outside Lever Assembly RH	Satin Chrome	201925-26D-01	\$152.00
			Bright Chrome	201925-026-01	\$152.00
			Bright Brass	201925-03-01	\$152.00
			Antique Brass	201925-05-01	\$152.00
	LH	Satin Chrome	201926-26D-01	\$152.00	
		Bright Chrome	201926-026-01	\$152.00	
		Bright Brass	201926-03-01	\$152.00	
		Antique Brass	201926-05-01	\$152.00	
63	1	Medeco / ASSA / Yale Outside Lever Assembly (Old #s for ASSA 204008 RH, 204009 LH) RH	Satin Chrome	201927-26D-01	\$166.00
			Bright Chrome	201927-026-01	\$166.00
			Bright Brass	201927-03-01	\$166.00
			Antique Brass	201927-05-01	\$166.00
	LH	Satin Chrome	201928-26D-01	\$166.00	
		Bright Chrome	201928-026-01	\$166.00	
		Bright Brass	201928-03-01	\$166.00	
		Antique Brass	201928-05-01	\$166.00	

*When ordering an outside lever assembly for older locks, it may be necessary to order a respective outside drive sleeve assembly.
(See Conversion Assemblies)

L1000 Series (continued)

Item	Qty/Lock	Description	Finish	Part Number	List Prices (USD)
64	1	Corbin / Russwin Outside Lever Assembly RH	Satin Chrome	201929-26D-01	\$152.00
			Bright Chrome	201929-026-01	\$152.00
			Bright Brass	201929-03-01	\$152.00
			Antique Brass	201929-05-01	\$152.00
	LH	Satin Chrome	201930-26D-01	\$152.00	
		Bright Chrome	201930-026-01	\$152.00	
		Bright Brass	201930-03-01	\$152.00	
		Antique Brass	201930-05-01	\$152.00	
65	5	Sems Screw, Phillips 6-32 x 7/16" (11 mm) R.H.M.S. (For clutch cover, clutch backing plate, and guide bracket) (Old # 201448-022-10) (Includes 10 ea #65, #66, #67)		64776-000-01	\$10.00
66	2	Sems Screw, Phillips 6-32 x 5/16" (8 mm) R.H.M.S. (For comb. chamber) (Old # 201447-022-10) (Includes 10 ea #65, #66, #67)		64776-000-01	\$10.00
67	6	Screw Phillips 6-32 x 3/8" F.H.M.S. (For Back Plate) (Old # 201444-022-10) (Includes 10 ea #65, #66, #67)		64776-000-01	\$10.00
69	1	ASSA Outside Drive Sleeve Assembly (Includes 1 ea #11, #69)		204010-000-01	\$42.00
70	1	Drive Insert		204015-000-01	\$21.00
74	1	Inside Knob Retainer Clip (Old # 201344) (5 pack)		204120-000-05	\$10.00
75	4	Sems Screw, Phillips 8-32 x 5/16" R.H.M.S. (For spacer) (Old # 201449) (Includes 1 ea #23, #76; 2 ea #18, #83; 4 ea #20, #21, #22, #75)	Satin Chrome	204210-26D-01	\$10.00
			Bright Brass	204210-03-01	\$10.00
			Antique Brass	204210-05-01	\$10.00
76	1	Cross Pin .100" (2.5 mm) x .500 (1.27 mm) long (Includes 1 ea #23, #76; 2 ea #18, #83; 4 ea #20, #21, #22, #75)	Satin Chrome	204210-26D-01	\$10.00
			Bright Brass	204210-03-01	\$10.00
			Antique Brass	204210-05-01	\$10.00
77	1	Standard "T" Strike Plate (Old # 201288) (204167) (Includes Screws)	Satin Chrome	204227-26D-01	\$9.00
			Bright Chrome	204227-026-01	\$10.00
			Bright Brass	204227-03-01	\$10.00
			Antique Brass	204227-05-01	\$9.00
78	1	1/2" (13 mm) Floating Face Front Throw Latch; 2 3/4" (70 mm) Backset	Satin Chrome	204168-26D-01	\$31.00
			Bright Brass	204168-03-01	\$31.00
			Antique Brass	204168-05-01	\$31.00
79	1	Thread Ring	Satin Chrome	204169-26D-01	\$11.00
			Bright Chrome	204169-026-01	\$11.00
			Bright Brass	204169-03-01	\$11.00
			Antique Brass	204169-05-01	\$11.00
81	1	Shoe Retainer and Bridge Assembly		204199-000-01	\$33.00
82	1	Shoe Retainer Cap Assembly	Satin Chrome	204200-26D-01	\$27.00
			Bright Chrome	204200-026-01	\$27.00
			Bright Brass	204200-03-01	\$27.00
			Antique Brass	204200-05-01	\$27.00
83	1	1/4" Spacer, Door Thickness (Old # 201449) (Includes 1 ea #23, #76; 2 ea #18, #83; 4 ea #20, #21, #22, #75)	Satin Chrome	204210-26D-01	\$10.00
			Bright Brass	204210-03-01	\$10.00
			Antique Brass	204210-05-01	\$10.00
84	1	Cylindrical Drive Unit Assembly (Includes 1 ea #5, #29, #45, #70, #74, #81, #82; 2 ea #13; 4 ea #19)	Satin Chrome	204202-26D-01	\$94.00
			Bright Chrome	204202-026-01	\$94.00
			Bright Brass	204202-03-01	\$94.00
			Antique Brass	204202-05-01	\$94.00
85	1	Back Plate Assembly (Includes 1 ea #73, #83, #84; 4 ea #20) LH	Satin Chrome	204204-26D-01	\$106.00
			Bright Brass	204204-03-01	\$106.00
			Antique Brass	204204-05-01	\$106.00
	RH	Satin Chrome	204205-26D-01	\$106.00	
		Bright Brass	204205-03-01	\$106.00	
Antique Brass	204205-05-01	\$106.00			
86	1	Screw Pack (Includes 1 ea #23, #76; 2 ea #18, #83; 4 ea #20, #21, #22, #75) (Not shown in exploded view)	Satin Chrome	204210-26D-11	\$10.00
			Bright Brass	204210-03-11	\$10.00
			Antique Brass	204210-05-11	\$10.00
87	1	Installation Hardware Kit (Includes 1 ea #6, #7, #47, #77, #79, #86; 2 ea #83) (Not shown in exploded view)	Satin Chrome	204211-26D-11	\$35.00
			Bright Brass	204211-03-11	\$35.00
			Antique Brass	204211-05-11	\$35.00

*When ordering an outside lever assembly for older locks, it may be necessary to order a respective outside drive sleeve assembly. (See Conversion Assemblies)

L1000 Series (continued)

Conversion Assemblies

Use these conversion assemblies to convert an existing L1000 Series lock from standard to key override, or from one cylinder prep. to another.

Description		Finish	Part Number	List Prices (USD)
Schlage Conversion Assembly (S) RH		Satin Chrome	201845-26D-01	\$151.00
		Bright Chrome	201845-026-01	\$160.00
		Bright Brass	201845-03-01	\$160.00
		Antique Brass	201845-05-01	\$151.00
	LH	Satin Chrome	201846-26D-01	\$151.00
		Bright Chrome	201846-026-01	\$160.00
		Bright Brass	201846-03-01	\$160.00
		Antique Brass	201846-05-01	\$151.00
Sargent Conversion Assembly (R) RH		Satin Chrome	201931-26D-01	\$151.00
		Bright Chrome	201931-026-01	\$160.00
		Bright Brass	201931-03-01	\$160.00
		Antique Brass	201931-05-01	\$151.00
	LH	Satin Chrome	201932-26D-01	\$151.00
		Bright Chrome	201932-026-01	\$160.00
		Bright Brass	201932-03-01	\$160.00
		Antique Brass	201932-05-01	\$151.00
Medeco / ASSA / Yale Conversion Assembly - Request Spacers 201569 for 5 - 6 pin Medeco/ASSA. (M) (Old # for ASSA 204013 RH, 204014 LH) RH		Satin Chrome	201933-26D-01	\$151.00
		Bright Chrome	201933-026-01	\$160.00
		Bright Brass	201933-03-01	\$160.00
		Antique Brass	201933-05-01	\$151.00
	LH	Satin Chrome	201934-26D-01	\$151.00
		Bright Chrome	201934-026-01	\$160.00
		Bright Brass	201934-03-01	\$160.00
		Antique Brass	201934-05-01	\$151.00
Best / Falcon / Arrow / Eagle / KSP / Lloyd Matheson Conversion Assembly (B) RH		Satin Chrome	201935-26D-01	\$151.00
		Bright Chrome	201935-026-01	\$160.00
		Bright Brass	201935-03-01	\$160.00
		Antique Brass	201935-05-01	\$151.00
	LH	Satin Chrome	201936-26D-01	\$151.00
		Bright Chrome	201936-026-01	\$160.00
		Bright Brass	201936-03-01	\$160.00
		Antique Brass	201936-05-01	\$151.00
Corbin / Russwin Conversion Assembly (C) RH		Satin Chrome	201937-26D-01	\$151.00
		Bright Chrome	201937-026-01	\$160.00
		Bright Brass	201937-03-01	\$160.00
		Antique Brass	201937-05-01	\$151.00
	LH	Satin Chrome	201938-26D-01	\$151.00
		Bright Chrome	201938-026-01	\$160.00
		Bright Brass	201938-03-01	\$160.00
		Antique Brass	201938-05-01	\$151.00

L1000 Series (continued)

L1000 Series Parts

Description	Finish	Part Number	List Prices (USD)
Lubriplate Aero Grease Tubes		64754-000-01	\$12.00
¾" (19mm) Brass Latch - carries 3-hour UL/ULC fire rating for "A" labeled doors. 2 ¾" (70 mm) backset. Beveled front.	Bright Brass	201144-03-01	\$53.00
	Antique Brass	201144-05-01	\$50.00
	Satin Chrome	201144-26D-01	\$50.00
Best Equivalent Removable Core Cylinder. (Sold international only, not available for U.S.)	Bright Brass	201484-03-01	\$44.00
	Antique Brass	201484-05-01	\$42.00
	Satin Chrome	201484-26D-01	\$42.00
¾" (19 mm) Flat Front Latch - carries 3-hour UL/ULC fire rating for "A" labeled doors. 2 ¾" (70 mm) backset	Bright Brass	201605-03-01	\$53.00
	Antique Brass	201605-05-01	\$50.00
	Satin Chrome	201605-26D-01	\$50.00
ASA Roller Strike (For 4 7/8" (105 mm) long cutout) (old #1000-14-26D)	Bright Brass	201821-03-01	\$36.00
	Antique Brass	201821-05-01	\$34.00
	Satin Chrome	201821-26D-01	\$34.00
¾" (19 mm) Brass Latch - carries 3-hour UL/ULC fire rating for "A" labeled doors. 2 ¾" (70 mm) backset. Beveled front. (For L1076 privacy Model only)	Bright Brass	204004-03-01	\$53.00
	Antique Brass	204004-05-01	\$50.00
	Satin Chrome	204004-26D-01	\$50.00
ASA Strike (For 4 7/8" (105 mm) long cutout) (Old # 201413 or 1000-15-26D)	Bright Brass	204119-03-01	\$10.00
	Antique Brass	204119-05-01	\$9.00
	Satin Chrome	204119-26D-01	\$9.00
½" (13 mm) Brass Latch - carries 3-hour UL/ULC fire rating for "A" labeled doors. 2¾" (70 mm) backset. Floating front face. (old # 55071)	Satin Chrome	204168-26D-01	\$31.00
	Bright Brass	204168-03-01	\$31.00
	Antique Brass	204168-05-01	\$31.00
½" (13 mm) Brass Latch - carries 3-hour UL/ULC fire rating for "A" labeled doors. 2¾" (70 mm) backset. Fixed beveled front face.	Satin Chrome	55071-26D-01	\$31.00
	Bright Brass	55071-03-01	\$31.00
	Antique Brass	55071-05-01	\$31.00

Removable core cylinders are not included. Best equivalent core is available – see above.

Note: Lubriplate Aero grease is the "only" lubricant that should be used.