

### Replacement when removed



#### INFO

The system certificate and warranty become void when the replacement main lock is installed.

1. Undo three screws [1].  
Tool: T20 hexalobular socket
2. Remove the main lock [2] from the faceplate [3].

3. Insert the replacement main lock [4] marked with "R" into the faceplate.

4. Mount the connecting rod [5] in the connector [6] of the replacement main lock.



#### INFO

Position the replacement main lock so that it is flush with the connecting rod and faceplate.

5. Fit it with three screws.  
[7] M4 x 12  
[8] M4 x 8  
Torque: max. 4 Nm



#### INFO

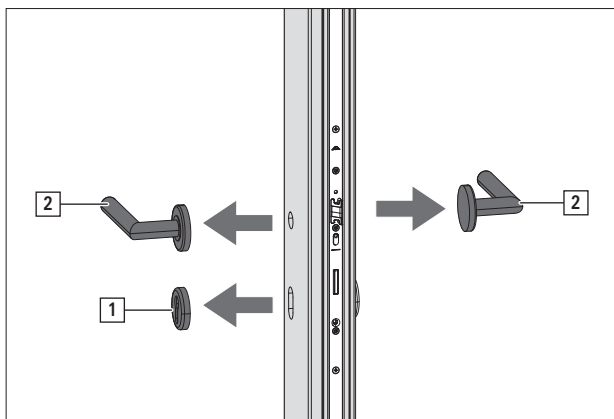
For further information see IMO\_504.

## Replacement when installed

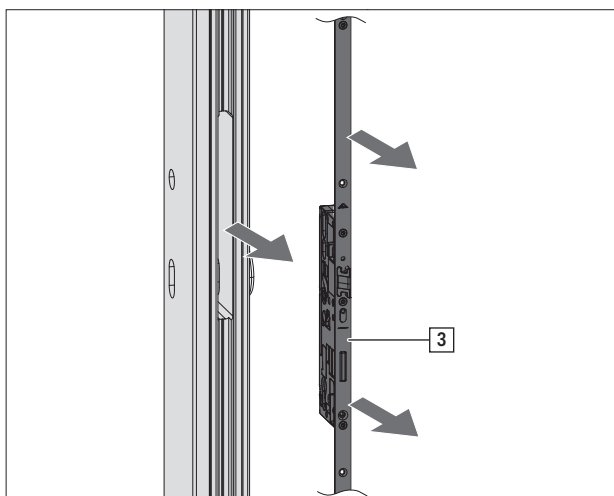


### INFO

The system certificate and warranty become void when the replacement main lock is installed.

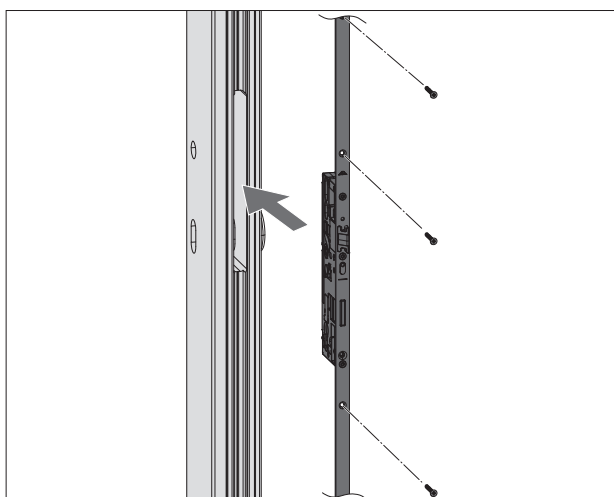


1. Remove the profile cylinder [1] and door lever handle [2].



2. Undo all screws on the multipoint lock [3] and remove the entire faceplate from the door profile.

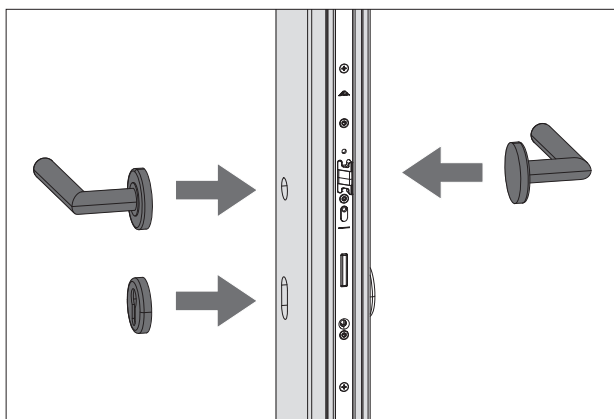
3. Perform steps 1 to 5 from "when removed".



4. Insert the faceplate into the door profile. Ensure that it is flush.

5. Fasten all screws on the multipoint lock.

6. Install the profile cylinder and door lever handle.



### INFO

For further information see IMO\_504.