


Technical Support

 01273 811011



support@paxton.co.uk

Technical help is available: Monday - Friday from 07:00 - 19:00 (GMT)
Saturday from 09:00 - 13:00 (GMT)

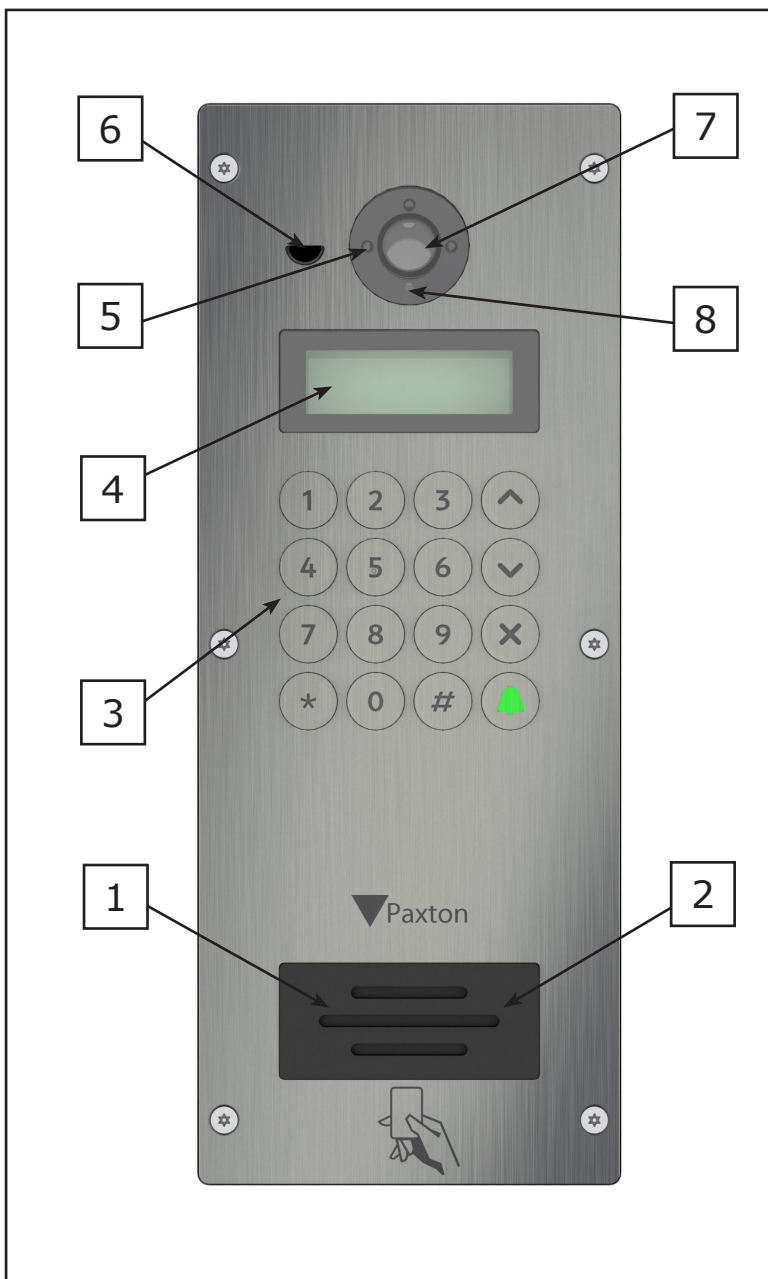
Documentation on all Paxton products can be found on our website - <http://www.paxton.co.uk/>

Description of product

The Net2 Entry vandal resistant panel is a robust door entry panel incorporating both door entry and access control functions. It is powered using Power over Ethernet (PoE) and communicates with the other elements of the system using IPv6, providing 'plug and play' installation. Each panel is associated with a Net2 Entry control unit which is the interface to the door hardware.

The panel is equipped with a keypad and a proximity token reader. A resident can use either the keypad or a token to gain entry. Installers gain access to the menu options using an engineer code or an engineer token.

Net2 software is used to administer the access control functions.



1. Speaker
2. Proximity reader
3. Keypad
4. LCD display
5. LED's for low light operation
6. Microphone
7. Colour camera
8. Light sensor

Installation

The best height to install the panel is with the camera at eye level. This will allow you to see your visitor's face clearly even when they are wearing a hood or cap.

To achieve the best camera performance, try to mount the panel facing away from direct sun or a bright light source. This will also help the user to read the LCD display.

Decide how the units are to be connected. You can either run your own wired network or (with the owner's permission) share the buildings existing data network. If using the owners network, the system uses IPv6 protocol and PoE (Power over Ethernet) so the network must support this switch type.

Paxton recommend that the network cable is run to each location and terminated in a network box. A patch cable should then be used to link the unit to the network. This makes unit replacement or removal for building maintenance much easier.

Where it is not practical to run a patch cable to the rear of the unit, it can be directly wired to the network cable via the supplied IDC module.

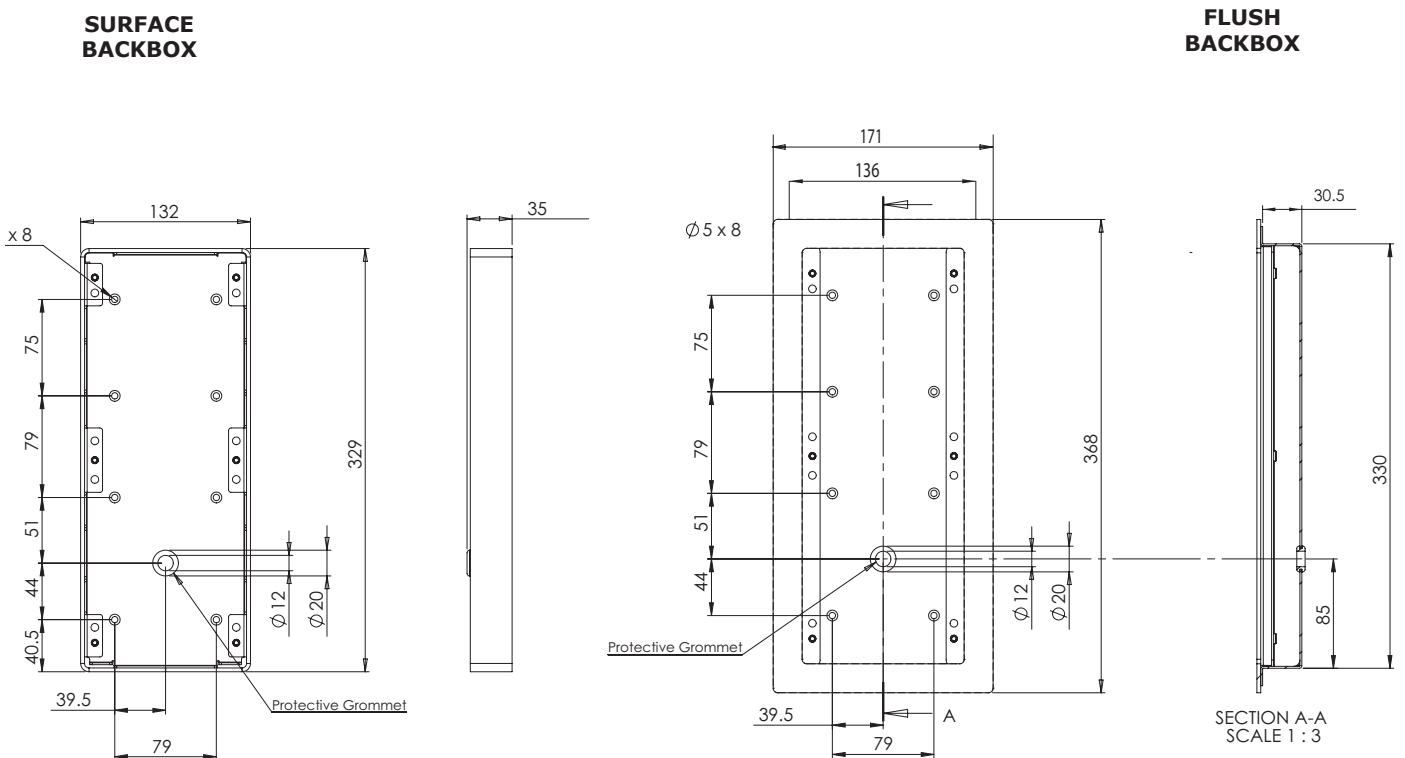
Fixing

A single hole must be drilled for the single data/power connection. Electrical power is supplied via the data cable (PoE) from the Net2 Entry controller.

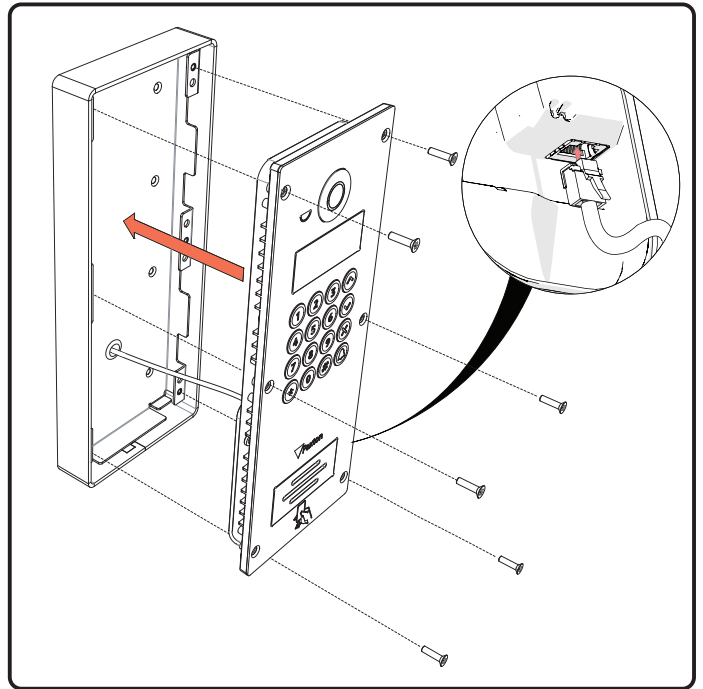
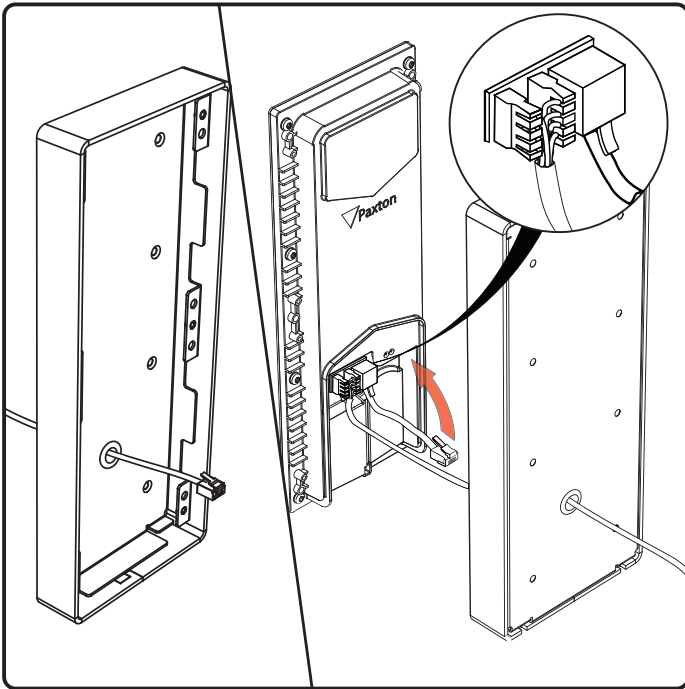
1. Determine the height for the camera and then mark and drill the cable hole with reference to the Fixing diagram.
2. Complete the installation of the mounting backbox - Surface or Flush.
3. Connect the Net2 Entry panel to controller.
4. Mount the panel in its backbox.
5. Power up the panel from controller supply (PoE).

The display will ask you to set up an Engineer code.

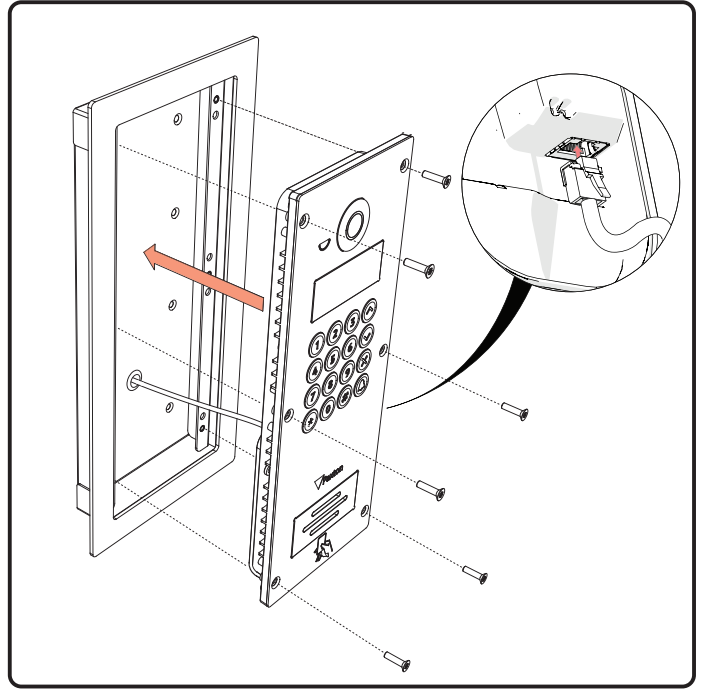
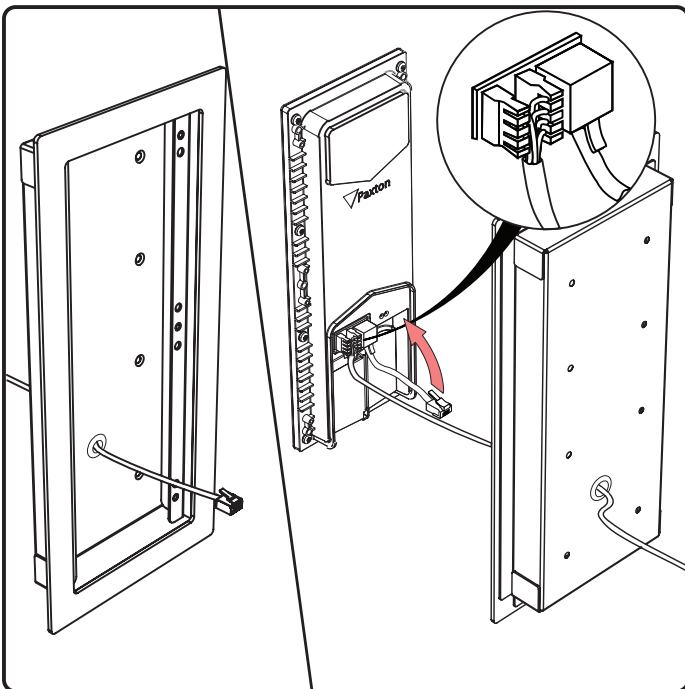
The panel checks to see if any monitors also exist on the network. Any that are detected will now have the engineer code loaded and will store the panel ID that called them.



SURFACE MOUNT



FLUSH MOUNT



Use the up and down arrows on the panel to view all the menu options.

Use the  key to Cancel

Initialising a new system

The first time the system is powered up the panel will request that the Language to be used is confirmed.

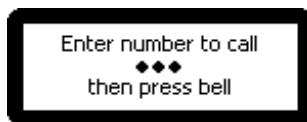
It then asks for an Engineer code to be set up. Enter the required code and press the bell key. Confirm the code and press bell to complete the process.



The Net2 Entry system uses a separate control unit to operate the door. To associate a panel with its control unit, the Serial Number of the control unit must be entered.

Only one panel can be associated with a control unit. Multiple panel installations require a control unit for each panel.

Calling a Monitor unit



As Monitor units are added to the system, they will automatically become active. To call a monitor type in the monitor ID and press the Bell button.



Single Occupancy

When only one monitor ID is in use, pressing the Bell button will call the monitor.



How an Occupant gains entry

For access control, a Net2 system is required for administration. Once set up, a user can gain entry by presenting their token to the panel. For PIN or Code entry, the # key must be pressed first before pressing the numbers on the panel.



Using the Engineer menu

To access the Engineer menu from the default screen press *, enter the Engineer code and press the Bell button.

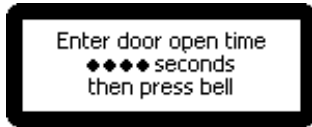


Use the up and down arrows on the panel to view all the menu options.

Use the  key to Cancel

1. Door open time

from the Engineer menu - Press key 1.



This is the time period that the lock will stay released once the open door button has been pressed on a monitor. This value may only be changed when not administered by Net2.

2. Volume settings

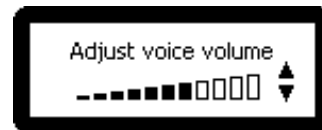
from the Engineer menu - Press key 2

1. Set voice volume

from Volume settings menu - Press key 1

This sets the volume of the entry panel speaker.

Use the up and down arrow buttons to adjust then press Bell.



2. Set keypress tone

from Volume settings menu - Press key 2

This sets the tone that the entry panel will make when a key is pressed.

- Press 1. Click
- Press 2. Beep
- Press 3. Silent

3. Set door open tone

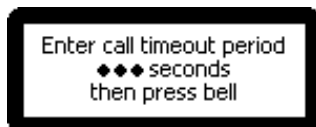
from Volume settings menu - Press key 3

This sets the tone that the entry panel will make while the lock is released.

- Press 1. Beep
- Press 2. Buzz
- Press 3. Silent

3. Call timeout

from the Engineer menu - Press key 3



This is the maximum time period that one call can last. This ensures that the entry panel is not held busy if a call is not terminated correctly.

4. View options

from the Engineer menu - Press key 4

1. Allow video without being called

from View options menu - Press key 1

This allows the camera to be viewed at any time even when not being used to grant access.

- Press 1. Yes
- Press 2. No

2. Allow audio without being called

from View options menu - Press key 2

This allows the microphone to be turned on at any time even when not being used to grant access.

- Press 1. Yes
- Press 2. No

3. Open the Door without being called

from View options menu - Press key 3

This allows the 'Unlock door' button to be used while viewing with the camera. The visitor does not need to initiate the call.

- Press 1. Yes
- Press 2. No

5. Panel settings

from the Engineer menu - Press key 5

1. Set control unit from Panel settings menu - Press key 1

This sets the control unit that the Net2 Entry panel is associated with.

Enter the Serial Number of the control unit and then press Bell.

2. Factory reset from Panel settings menu - Press key 2

This returns the Entry panel to Factory settings

Press 1. Yes

Press 2. No

3. LCD Backlight from Panel settings menu - Press key 3

This sets when the Entry panel LCD backlight will be on.

Press 1. Always on

Press 2. Never on

Press 3. Only on in low light

4. Video quality from Panel settings menu - Press key 4

This option slows the video rate to reduce the load on busy networks.

Press 1. Low - busy networks

Press 2. Med - small networks

Press 3. High - private wiring

6. Operating Mode

from the Engineer menu - Press key 6

1. Number only

from Set Operating mode menu - Press key 1

This requires the visitor to enter the number without the assistance of a list.



2. Numbered list

from Set Operating mode menu - Press key 2

This displays the monitor IDs to the visitor as a numeric list with its name which they can scroll or enter the number.



Menu will also respond to numeric input.

3. Text selection

from Set Operating mode menu - Press key 3

This displays the monitor names to the visitor in alphabetical order which they can scroll through and select.



7. Engineer Access from the Engineer menu - Press key 7

1. Set Engineer Code from Engineer Access menu - Press key 1

This allows the Engineer to change the Engineer code

2. Change Engineer Token from Engineer Access menu - Press key 2

This allows the engineer to add / change the Engineer token

The engineer can create a token that can be presented to the proximity reader instead of using the engineer code to gain access to the Engineer Menu.

8. Language from the Engineer menu - Press key 8

This displays the language options available for this monitor.

9. About from the Engineer menu - Press key 9

This displays information about the panel. (e.g. the current version number)

Specifications

Dimensions	Width	Height	Depth
VR Panel, Surface Mount	132 mm	330 mm	35 mm
VR Panel, Surface mount, with rain hood	132 mm	330 mm	68 mm
VR Panel, Flush mount	171 mm	368 mm	30 mm
Electrical	Min	Max	
Power over Ethernet (PoE) power rating		12.95W	IEEE 802.3af class 0
Communication	Min	Max	
Ethernet bandwidth requirement	100kb/s multicast	1Mb/s multicast	per panel during call
Panels per system		100	
Features			
Camera system			Full colour
Low light operation			Yes
Audio system			Two way
Display			Backlit LCD
Proximity reader/ PIN/ Code operation	Yes with Net 2		
Environment	Min	Max	
Operating temperature	-20 °C	55 °C	
IP Rating	IP55		
Vandal resistance			IK09
Distance between Panel and Switch		100 m	
Current draw of lock		650mA*	



The declaration of conformity is available on request. Contact details are provided at: <http://paxton.info/596>

*Current available for lock depends on number of monitors connected - some power calculation required, refer to Paxton support.