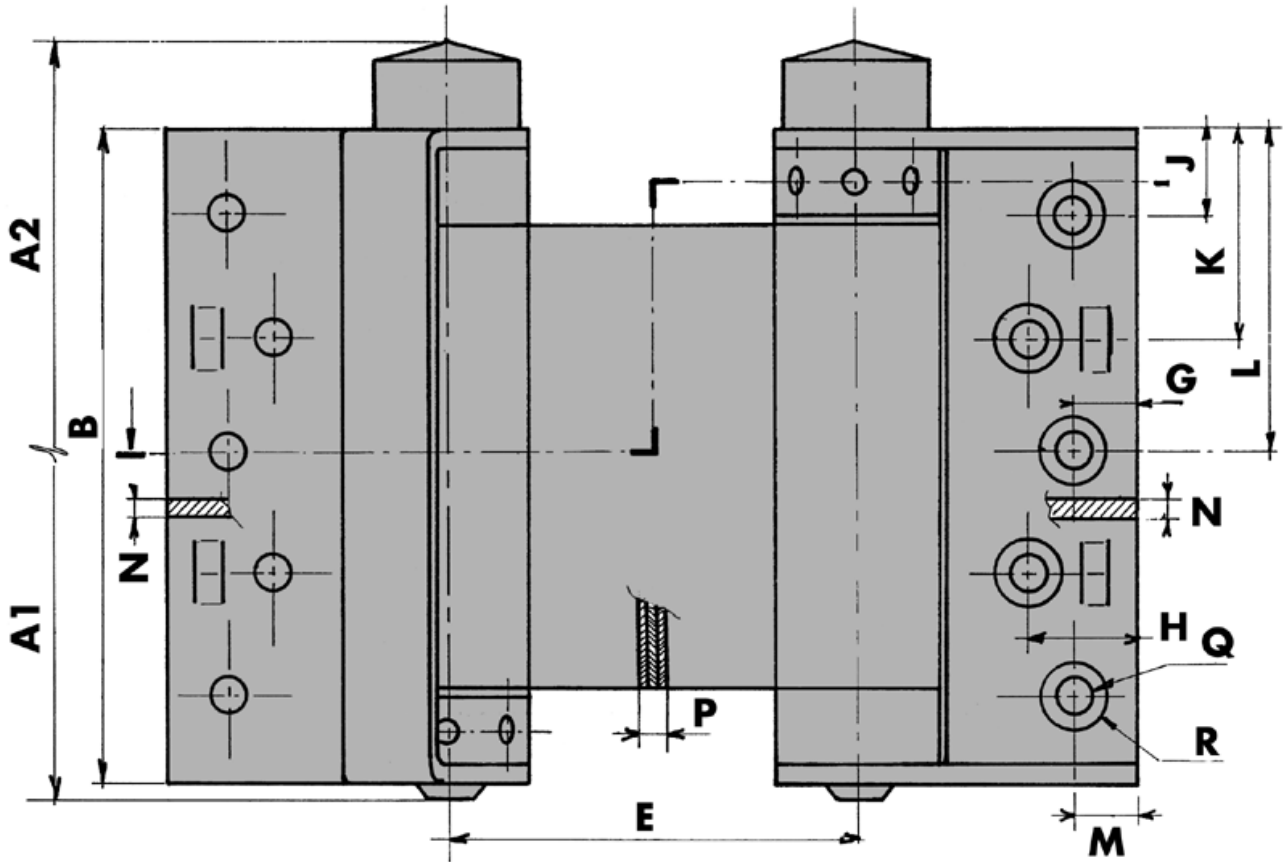
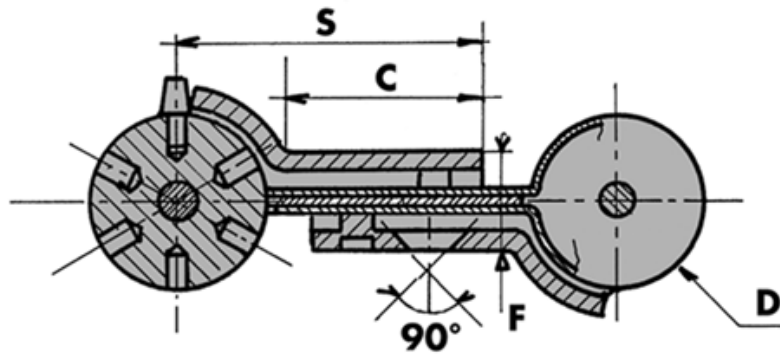


|           |    |  |  |
|-----------|----|--|--|
| CI/SfB    |    |  |  |
| 31        | 49 |  |  |
| July 2016 |    |  |  |



**G** : EXCEPT HINGES - LDA03 & LDA04



|                     | A1  | A2  | B   | C  | D    | E    | F    | G    | H    | J  | K    | L    | M  | N   | P   | Q   | R  | S    |
|---------------------|-----|-----|-----|----|------|------|------|------|------|----|------|------|----|-----|-----|-----|----|------|
| <b>DELDA03 / 29</b> | 78  | 95  | 75  | 20 | 19   | 47   | 11   | 7.5  | 12.5 | 10 | 24   |      |    | 2   | 3   | 5.5 | 8  | 33   |
| <b>DELDA04 / 30</b> | 103 | 120 | 100 | 25 | 21   | 54   | 11   | 8    | 16   | 11 | 27   |      |    | 2   | 3   | 5.5 | 8  | 40   |
| <b>DELDA05 / 33</b> | 128 | 147 | 125 | 30 | 22.5 | 62.5 | 12.5 | 11   | 21   | 12 | 35   | 62.5 |    | 2   | 3.9 | 5.5 | 8  | 45   |
| <b>DELDA06 / 36</b> | 153 | 172 | 150 | 35 | 25   | 70   | 14.5 | 17   | 22   | 14 | 37   | 75   | 10 | 2.5 | 4.5 | 5.5 | 8  | 52   |
| <b>DELDA07 / 39</b> | 179 | 203 | 175 | 40 | 29   | 78   | 16.5 | 18.5 | 29   | 15 | 42.5 | 87.5 | 11 | 3   | 5.4 | 7   | 11 | 59   |
| <b>DELDA08 / 42</b> | 202 | 228 | 198 | 45 | 32   | 85   | 17   | 23.5 | 34   | 14 | 43   | 99   | 11 | 3   | 6   | 7.2 | 11 | 65.5 |

# Liobex double action spring hinge

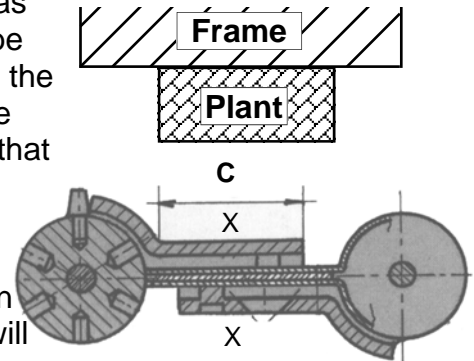
|           |    |  |  |
|-----------|----|--|--|
| CI/SfB    |    |  |  |
| 31        | 49 |  |  |
| July 2016 |    |  |  |

| <b>Characteristics common to all the Liobex hinge models</b>            |                  |              |              |              |              |              |              |
|---|------------------|--------------|--------------|--------------|--------------|--------------|--------------|
|   | <b>Model No.</b> | <b>LDA03</b> | <b>LDA04</b> | <b>LDA05</b> | <b>LDA06</b> | <b>LDA07</b> | <b>LDA08</b> |
| <b>Height of Leaf</b>   | mm               | 75           | 100          | 125          | 150          | 175          | 200          |
|   | inch             | 3            | 4            | 5            | 6            | 7            | 8            |
| <b>To suit door thickness</b>   | mm               | 20 - 25      | 21 - 30      | 25 - 35      | 25 - 44      | 33 - 50      | 35 - 55      |
| <b>To suit max door width</b>   | mm               | 650          | 700          | 780          | 850          | 920          | 1000         |
| <b>Characteristics specific to the Liobex Compact range</b>             |                  |              |              |              |              |              |              |
| <b>Weight of the hinge - pair</b>                                       | Kg               | 0.75         | 1.120        | 1.620        | 2.510        | 3.670        | 4.850        |
| <b>Max torque at 90° - per hinge</b>                                    | daN              | 0.250        | 0.350        | 0.500        | 0.700        | 0.850        | 1.200        |
| <b>Max weight of door - per pair</b>                                    | Kg               | 10           | 15           | 25           | 35           | 45           | 55           |
| <b>Fixing screws recommended - Countersunk Screw</b>                    |                  | 4 x 20       | 4 x 20       | 4 x 25       | 4.5 x 25     | 6 x 30       | 6 x 30       |
| <b>Characteristics specific to Liobex 'décor' range - with end caps</b> |                  |              |              |              |              |              |              |
| <b>Weight of the hinge - pair</b>                                       | Kg               | 1.070        | 1.680        | 2.400        | 3.310        | 4.850        | 6.370        |
| <b>Max torque at 90° - per hinge</b>                                    | daN              | 0.400        | 0.500        | 0.600        | 0.950        | 1.000        | 1.400        |
| <b>Max weight of door - per pair</b>                                    | Kg               | 12           | 20           | 30           | 40           | 50           | 70           |
| <b>Fixing screws recommended - Countersunk Screw</b>                    |                  | 4 x 20       | 4 x 25       | 4.5 x 25     | 5 x 25       | 6 x 30       | 6 x 30       |

|           |    |  |  |
|-----------|----|--|--|
| CI/SfB    |    |  |  |
| 31        | 49 |  |  |
| July 2016 |    |  |  |

## Installation of Liobex double action spring hinges

To install Liobex double action spring hinges correctly it is necessary to have or fix a plant down the hanging frame. Ideally the width of the plant should be the same dimension as the thickness of the door. The thickness of the plant should be sufficient to allow the leaf of the hinge to rotate freely around the knuckle, after the lipped face ( C ) has been mortised in. The other lipped face should be mortised into the door, ensuring that both leaves are free to rotate and that the standard door plant clearance is maintained.



Where applicable the capstan should be located at the top on the plant, and at the bottom on the door. This configuration will ensure optimum efficiency and minimum wear. Hinges where the capstans are located at the same end, should be installed with the capstans at the top.

Normal installation should be 250mm from the top and bottom of the door. In the event of a door being oversize, a third hinge may be fitted 100mm below the top hinge. Care must be taken to ensure that the centre line of the hinges is in alignment.

***On fire rated 'EI 30' & 'EI 60' models the supplied intumescent must be stuck to the outer edge (X) covering area 'C' of each hinge leaf and appropriately trimmed.***

***Failure to install the supplied intumescent will invalidate the Fire Certificate!***

## Adjustment

Normal operation of the hinge is achieved by tightening both capstans on each hinge and inserting the pins provided. Normally the top hinge (s) will not require more than three holes, and the bottom hinge two holes.

**DO NOT OVERTIGHTEN THE CAPSTANS**

## Maintenance

Liobex Spring Hinges are lubricated before despatch. We recommend annual lubrication to maintain trouble free operation.

