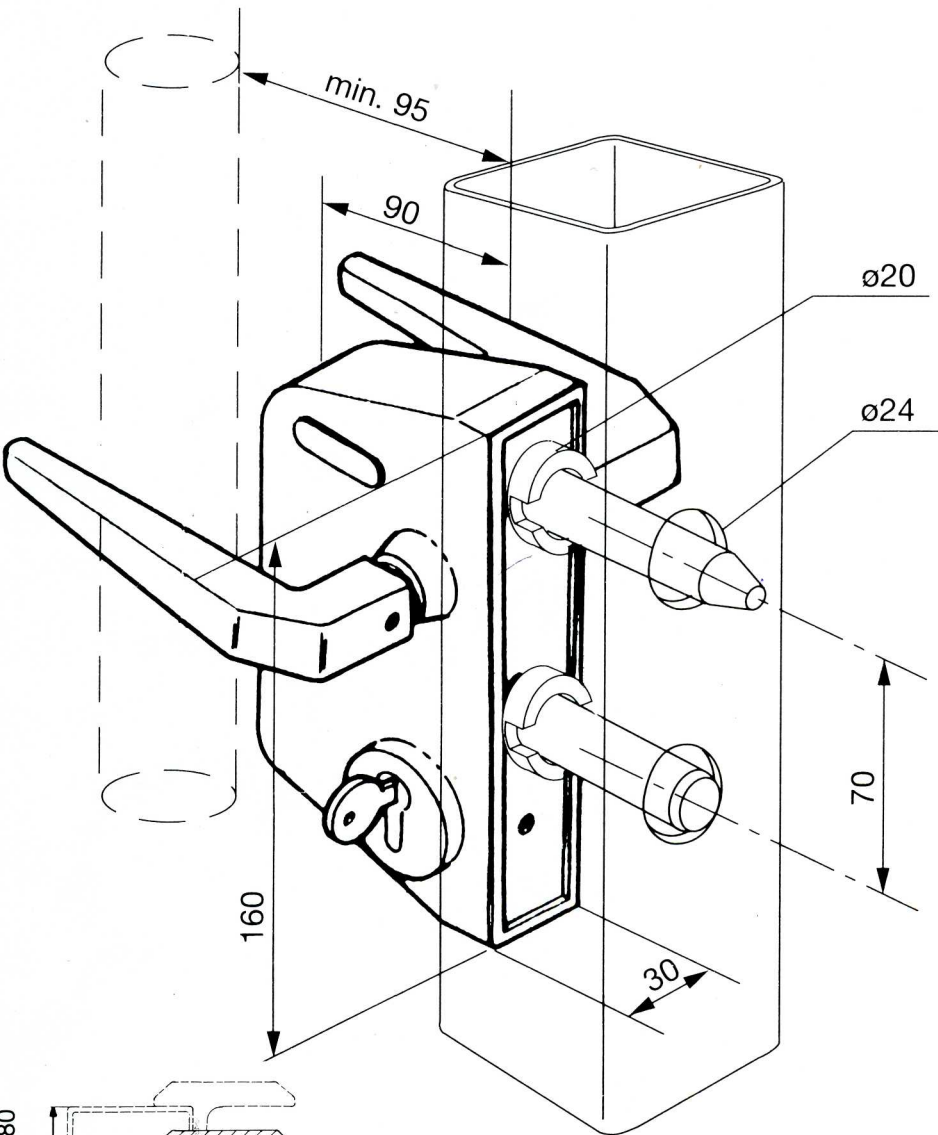
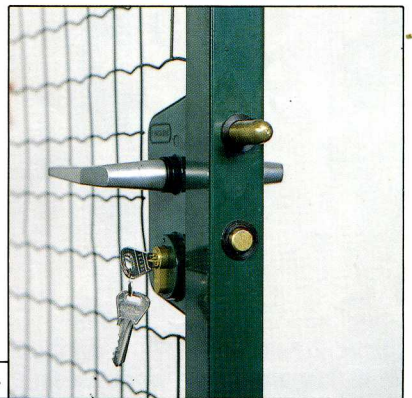
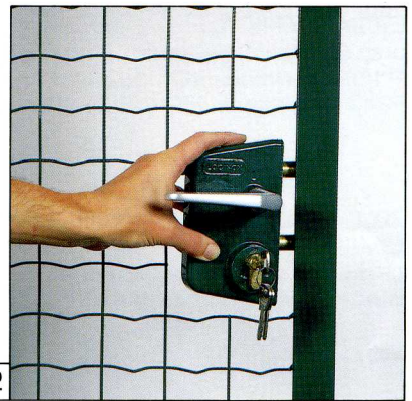
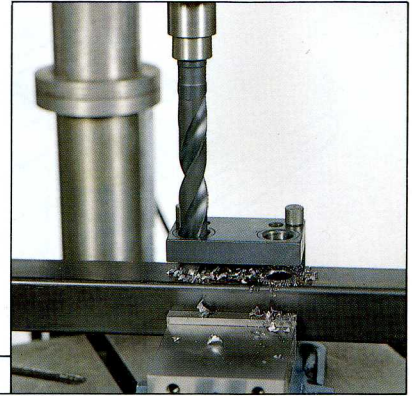


INSTALLATION

1. Drill 20mm/24mm holes. 2. Insert lock. 3. Tighten concealed collar with spanner. 4. Insert grommets. The lock can be fitted using standard drills but purpose made dual headed bits and drill jigs are available. The gate can be predrilled prior to painting or galvanising and the lock fitted on site.



KEEP/STOP TYPE SC
40 - 80mm adjustment