

FITTING INSTRUCTIONS

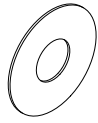
KIT CONTENTS



A (2x)



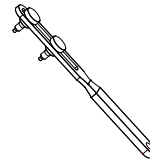
B (2x)



C (4x)



D (4x)



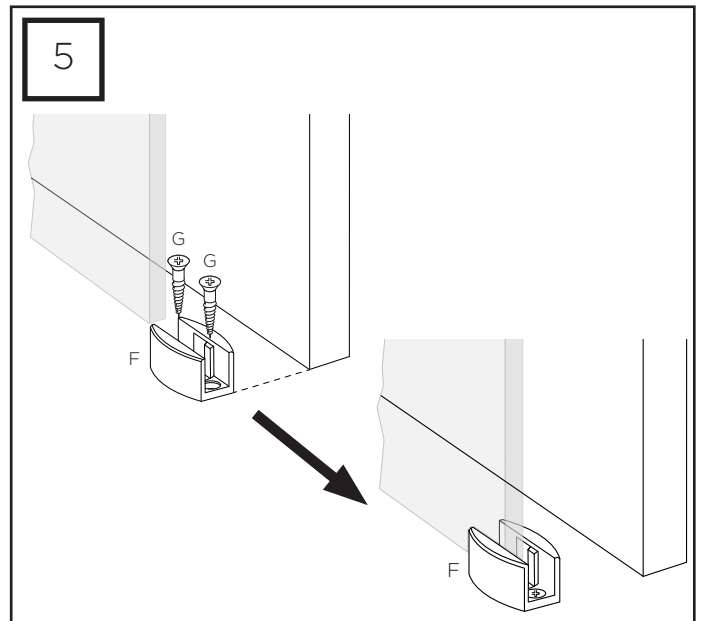
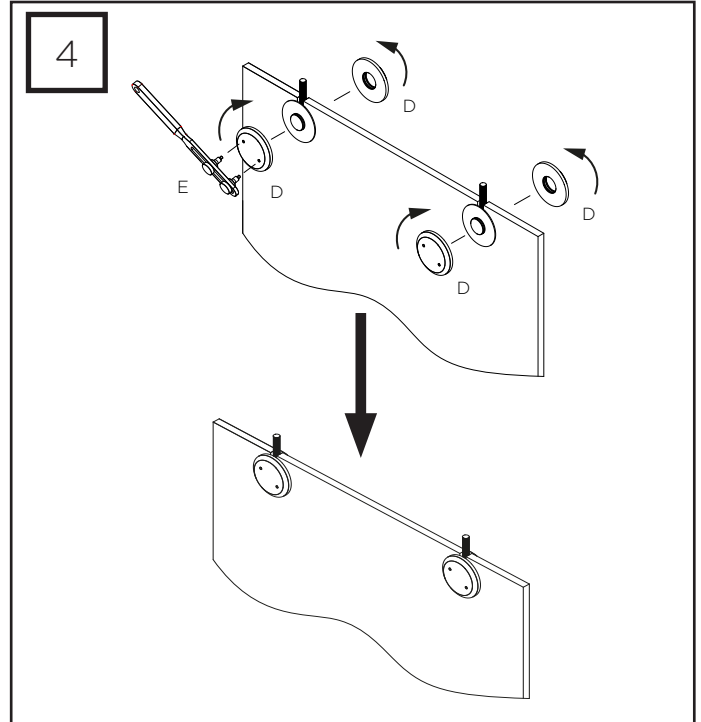
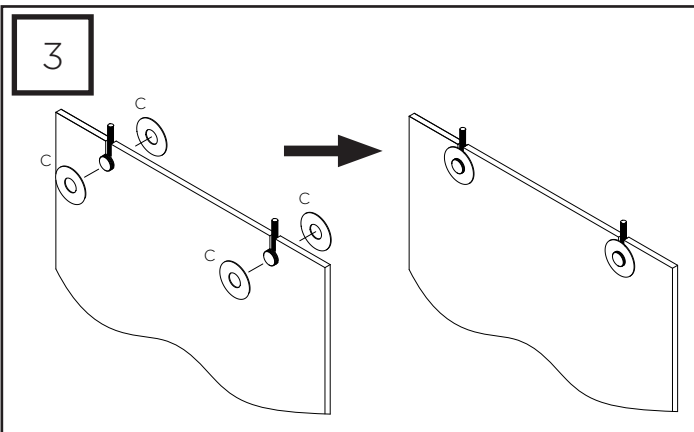
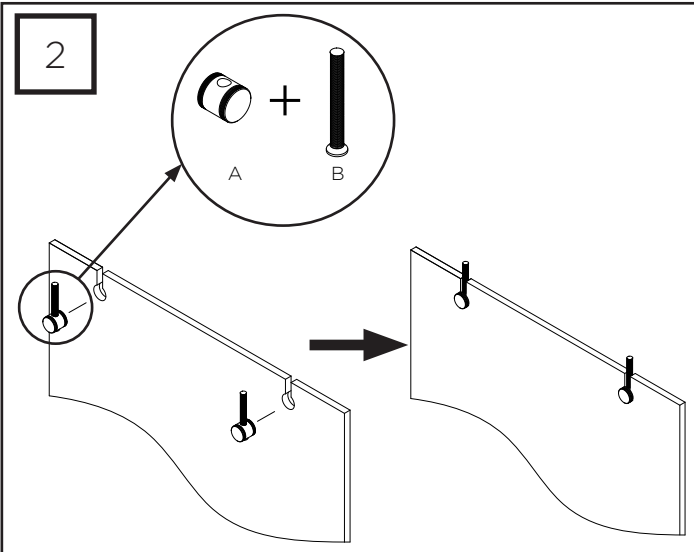
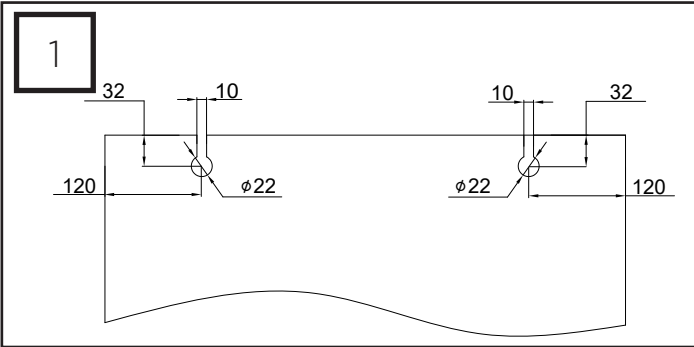
E (1x)



F (1x)



G (2x)



P C HENDERSON LTD

Durham Road, Bowburn,
Co. Durham,
DH6 5NG

UK SALES

t: +44 (0) 191 377 7345
e: sales@pchenderson.com
w: www.pchenderson.com

IRELAND SALES

t: +353 (0)1 643 6816
e: sales@pchenderson.ie
w: www.pchenderson.ie

INTERNATIONAL SALES

t: +44 (0) 191 377 7346
e: international@pchenderson.com
w: export.pchenderson.com

440114

LVL01

FEB 22