

POKER *PRO*

Operating Manual
Translation of original instructions

EN

D4A1214XA

vers. 5.0

CE

UK
CA



(c) 2019 SILCA S.p.A. - Vittorio Veneto

This manual has been drawn up by SILCA S.p.A.

All rights reserved. No part of this publication can be reproduced or circulated by any means whatsoever (photocopies, microfilm or other) without the consent of SILCA S.p.A.

Edition: November 2022

Printed at Vittorio Veneto
by SILCA S.p.A.

Via Podgora, 20 (Z.I.)
31029 VITTORIO VENETO (TV) - Italy

The Manufacturer declines any responsibility for possible inaccuracies in this document due to printing or transcription errors. The Manufacturer reserves the rights to alter the information without prior notice, except when they affect safety. This document or any of its parts cannot be copied, altered or reproduced without written authorization from the Manufacturer. Keep the manual and look after it for the entire life cycle of the machine. The information has been drawn up by the manufacturer in his own language (Italian) to provide users with the necessary indications to use the key-cutting machine independently, economically and safely.

IMPORTANT NOTE: in compliance with current regulations relating to industrial property, we hereby state that the trade-marks or trade names mentioned in our documentation are the exclusive property of authorized manufacturers of locks and users. Said trade-marks or trade names are nominated only for the purposes of information so that any lock for which our keys are made can be rapidly identified.

INDEX

USE OF THE MANUAL	1
GENERAL WARNINGS.....	3
1 MACHINE DESCRIPTION.....	4
1.1 MAIN OPERATING PARTS.....	5
1.2 SAFETY.....	6
1.3 TECHNICAL DATA.....	7
1.4 ACCESSORIES PROVIDED	8
2 HANDLING.....	9
2.1 PACKING.....	9
2.2 UNPACKING	9
2.3 HANDLING THE MACHINE	9
3 MACHINE INSTALLATION AND PREPARATION.....	10
3.1 CHECKING FOR DAMAGE	10
3.2 ENVIRONMENTAL CONDITIONS	10
3.3 POSITIONING.....	10
3.4 SEPARATE PARTS.....	11
3.4.1 Power pack and lead.....	11
3.4.2 Fixing bracket.....	11
3.4.3 Quick Guide.....	12
3.5 WORK STATION DESCRIPTION	12
4 CLAMPS	13
4.1 CLAMPS ROTATION.....	14
4.2 USE OF THE GAUGES.....	14
4.3 STOP POSITIONS (KEY STOP).....	16
4.4 USE OF PINS	17
4.5 CUTTING CRUCIFORM KEYS	17
5 KEY COPYING / CUTTING.....	18
5.1 MAXIMUM ALLOWED KEY DIMENSIONS FOR READING	19
6 OPERATION OR ERROR INDICATION LIGHTS	20
7 CLEANING	21
8 MAINTENANCE.....	22
8.1 OPERATIONS.....	22
8.2 REMOVING / FITTING THE CLAMPS	22
8.3 REPLACING THE CUTTER.....	23
8.4 ACCESS TO REAR COMPARTMENT	24
8.5 CHECKING AND REPLACING THE FUSE	24
8.6 REPLACING THE TOP COVER / KEYPAD	25
9 DISPOSAL.....	26
10 ASSISTANCE.....	27
10.1 HOW TO REQUEST SERVICE	27
11 ELECTRICAL DIAGRAMS.....	29

USE OF THE MANUAL

This manual has been drawn up by the Manufacturer and is an integral part of the machine literature. The manual gives information that is obligatory for the operator to know and which makes it possible to use the machine safely.

User's Manual

This user's manual is provided because it is essential for proper use and maintenance of the machine. The manual must be kept carefully throughout the life of the machine, including the decommissioning stage. Keep in a dry place close to the machine where it is always to hand for the operator.



IT IS OBLIGATORY to read the manual carefully before using the machine.

Readers' characteristics

This manual must be read and its contents acquired by those who will use it.

Manufacturer's ID

Poker PRO has an ID plate located on the back of the machine, showing the serial number.

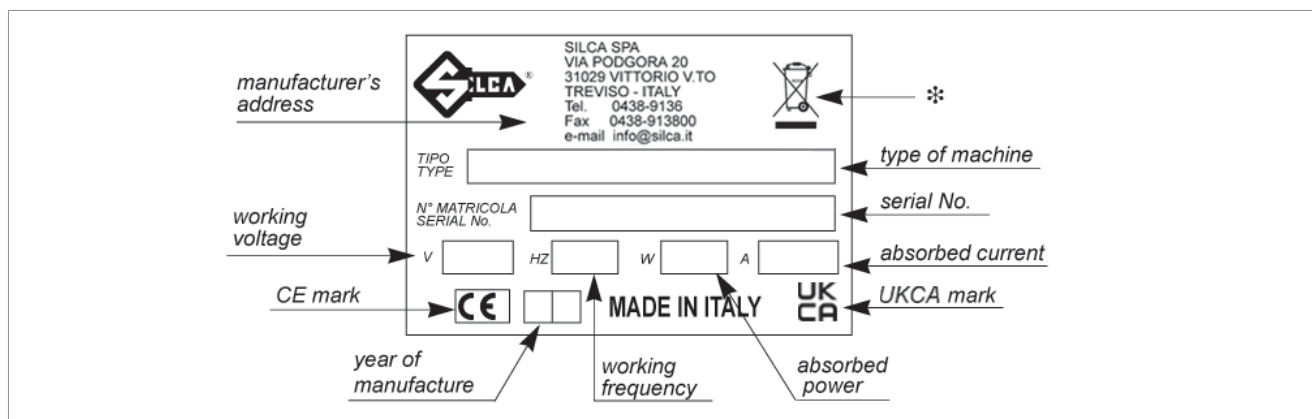


Fig. 1

(*) see Ch. 9 DISPOSAL.

How to apply for after-sales service

Silca provides purchasers of POKER PRO with After-Sales Service.

For the total safety of the operator and machine, any operation not described in the manual must be carried out by the manufacturer or in the special Service Centers recommended by Silca.

At the end of the manual there is a list of manufacturers' and authorized Service Centre addresses; if the manual was downloaded is necessary visit the website to see the contacts (www.silca.biz).

The warranty card attached to the machine covers free repairs or replacement of faulty parts for 24 months from the date of purchase*. All operations must be agreed by the user with Silca or the Service Center.

* Damage caused by negligence or wrong use of the machine by the user will null the warranty.

TERMINOLOGY

For those inexperienced in the subject of keys and key cutting, below is an illustration of the most frequently used terms:

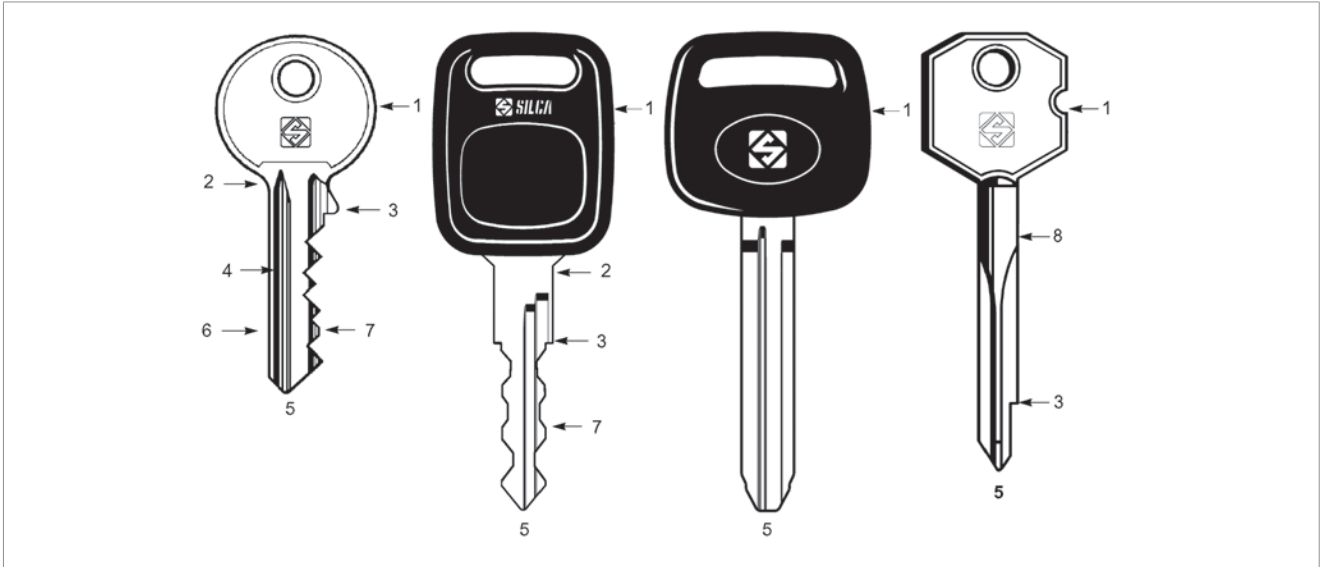


Fig. 2

1) Head	3) Shoulder stop	5) Tip	7) Cutting
2) Neck	4) Blade	6) Back	8) Stem

GRAPHICS IN THE MANUAL

Pay attention	Obligation to read the manual

GRAPHICS ON THE POKER PRO KEY-CUTTING MACHINE

Do not clean with compressed air	Obligation to read the manual	Adhesive label Mass - RPM

Laser warning labels (Ch.1.2)	

GENERAL WARNINGS

POKER PRO is designed to the principles of European Standards (CE).

Right from the design stage solutions have been adopted to eliminate hazards for the operator in all the stages of use: handling, regulation, use and maintenance.

The materials used in manufacture and the components employed in using POKER PRO are not dangerous and ensure that the machine complies to current standards.

Silca S.p.A. has also experimented and applied numerous technical solutions that allow the key-cutting machine to optimize the quality of the cut keys.

To guarantee maintaining these results over time, please follow the instructions below:

- **Observe the procedures described in this manual;**
- **Always use Original Silca Tools as they are designed to make the best of POKER PRO and provide quality key-cutting;**
- **Use Silca key blanks, made with top quality materials;**
- **Have the key-cutting machine checked periodically by an authorized Silca After-Sales Service Center;**
- **Always use Silca Original Spare Parts. Beware of imitations!**

NORMAL USE

POKER PRO is a key-cutting machine and must be installed and used according to the rules and specifications established by the manufacturer.

The key-cutting machine must be used only by skilled personnel (professional use).

The POKER PRO key-cutting machine is designed for use on business or industrial premises (e.g. hardware shops, key cutting centers, etc...).

Any other use different from that indicated in this manual will cause the forfeiture of all customers' rights to make claims on Silca S.p.A. and may be an unknown source of hazard for the operator or third parties.



ATTENTION: negligent use or failure by the operator to observe the instructions in this manual are not covered by the warranty and the manufacturer declines any responsibility in such cases.

RESIDUAL RISKS

No further risks will arise when properly using the POKER PRO machine.

SAFETY REGULATIONS

- **Always disconnect the machine when it is not in use or when performing maintenance operations.**
- **Check the electrical wiring periodically; replace any wires that show signs of wear.**
- **Always work with dry hands free of grease or oil.**
- **Never tug on the electricity supply lead and make sure it is not in contact with oil or other liquids, sharp objects or heat. Never remove the grounding pin from the plug. Check that the ground wire is connected properly.**
- **Do not use the machine in dangerous environments (wet or damp).**
- **All visitors, especially children, must stay at a safe distance from the machine and must never come into contact with the electric wiring. This equipment should not be used where children may be present.**

1 MACHINE DESCRIPTION

POKER PRO is a professional automatic key-cutting machine. It is designed to cut flat cylinder keys, vehicle keys and cruciform keys.

Keys are read by an optical reader (laser).

Keys are cut in a single operation. The key blank is cut directly as the original key is being read.

POKER PRO is used to cut the following types of keys:



1.1 MAIN OPERATING PARTS

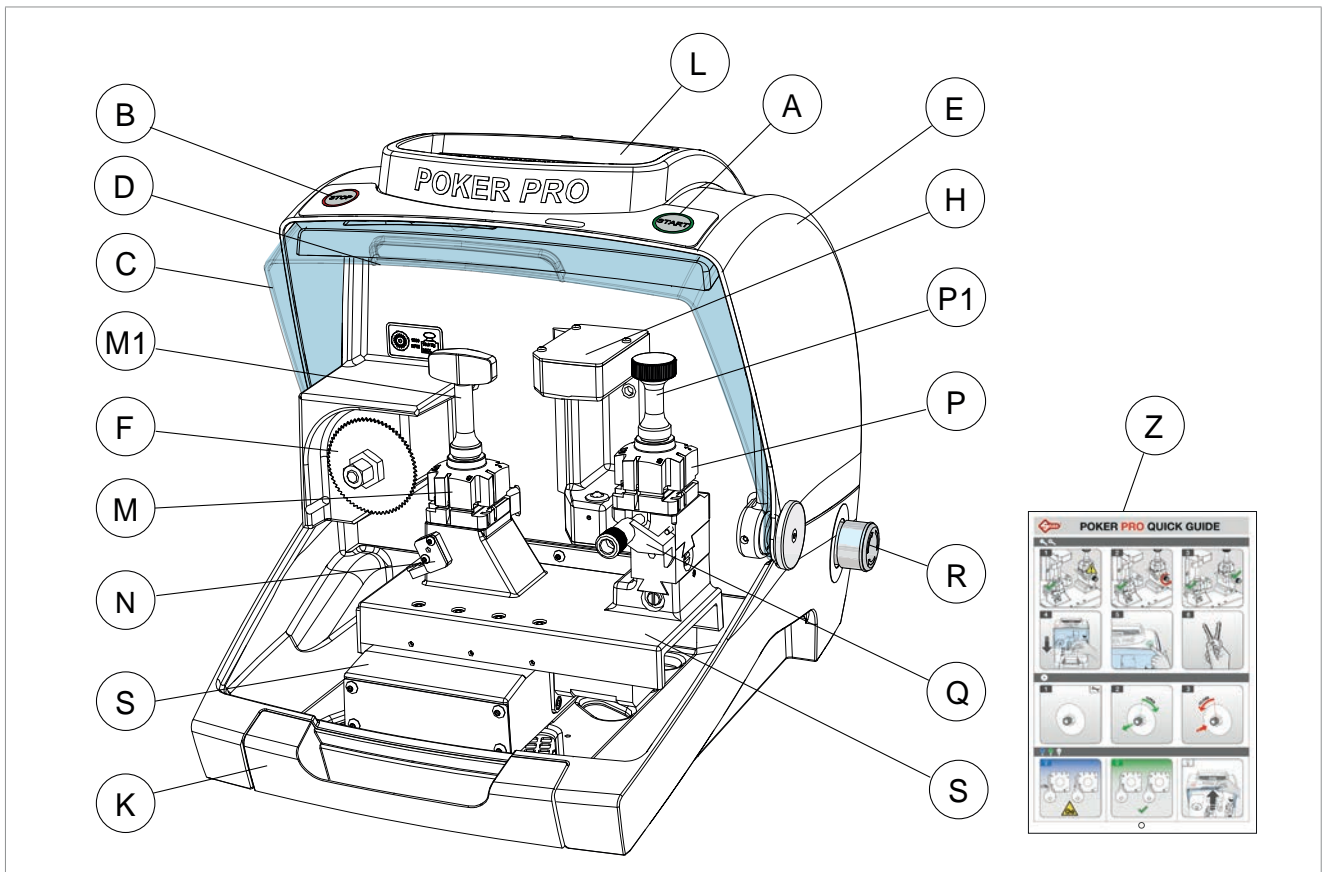


Fig. 3

- A - START button
- B - STOP button
- C - Safety shield
- D - Lamp
- E - Cover
- F - Prismatic cutter
- H - Optical reader
- L - Tool compartment
- K - Swarf collection tray
- M - Clamp - cutter side
- M1 - Clamp knob - cutter side
- N - Key gauge - cutter side
- P - Clamp - optical reader side
- P1 - Clamp knob - optical reader side
- Q - Key gauge - optical reader side
- R - Pulsante accensione/emergenza
- S - X axis carriage
- T - Y axis carriage
- W - Power pack
- W1 - Power pack connector
- Z - Quick Guide

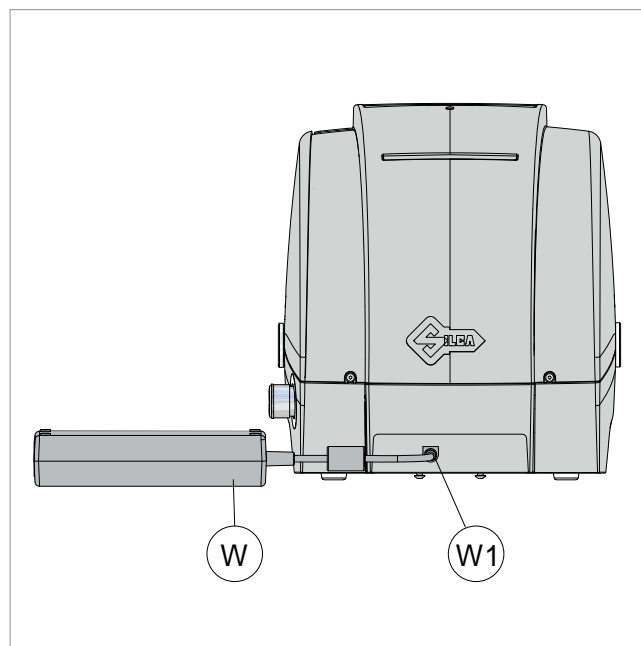


Fig. 4

1.2 SAFETY

POKER PRO is entirely built in compliance to the Machine Directives. The operations for which it has been designed are easily carried out with no risk to the operator.

The adoption of general safety precautions and observation of the instructions provided by the manufacturer in this manual eliminate all human error, unless deliberate.

POKER PRO is designed with features which make it completely safe.

- **Safety shield**

The protective shield is designed to cover the working parts as completely as possible, ensuring operator safety.

The shield (C) must be raised in order to fit keys for cutting or carry out other operations (Fig. 5).

Raising the microswitch-controlled shield deactivates operation and movement, including that of the cutter. A warning light indicates that the shield is not closed (see Ch.6).

To re-activate the work cycle, lower the shield and press the START button.

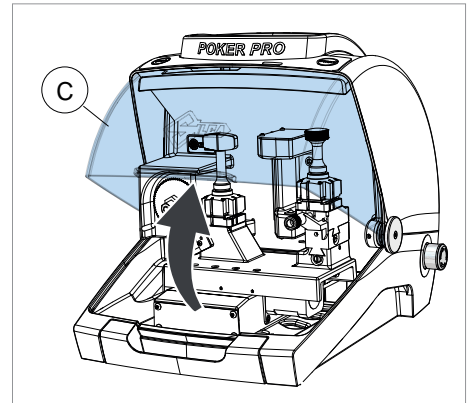


Fig. 5

- **Emergency stop**

Use the red emergency button (R) (Fig. 3), located on the right-hand side of the machine to stop the machine immediately in the event of serious malfunctioning or a hazard for the operator.

When the cause of the emergency has been eliminated, turn the button 45° clockwise to deactivate it.

NOTE: the operator is responsible for keeping the area around the button clear so that it can be reached as quickly as possible.

- **Laser warning**

Regulations require that warning label (supplied - Ch.1.4) in the language to be used be attached to the optical reader, as shown in Fig. 6.

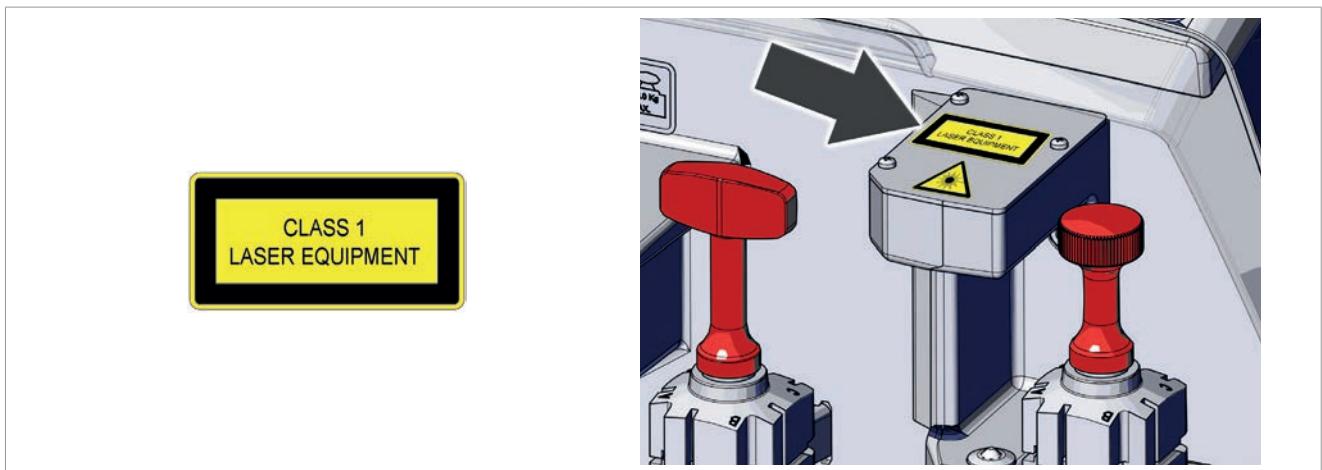


Fig. 6

1.3 TECHNICAL DATA

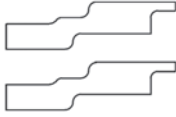
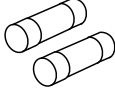



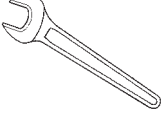





Electricity supply:	Machine: 24V d.c.- 5,5 Amp. - 130W Power pack: 90/264V a.c. - 50/60Hz - 220W MEANWELL GST220A24-R7B
Cutter motor:	24V d.c.
Cutter:	in hard metal (carbide) - coated
Tool speed:	1860 rpm
Movement:	on 2 axes (with special bushes) driven by step motors (on rectified roller guides).
Clamps:	rotating with four sides, used to secure keys perfectly, fitted either on their backs or profiles for keys with symmetrical cuts.
Runs:	asse X: 30 mm asse Y: 54 mm
Dimensions:	width: 318 mm depth: 413 mm height: 340 mm
Mass:	Kg. 16
Noise level:	sound pressure Lp(A) = - brass flat keys: 72.0 dB(A) - steel flat keys: 74.5 dB(A)

CLASS 1 LASER READER:


- Maximum radiation with safety lock excluded: 230 μ W
- Wave length: 790,6 μ m (invisible)
- Classed to: EN 60825-1:2014

1.4 ACCESSORIES PROVIDED

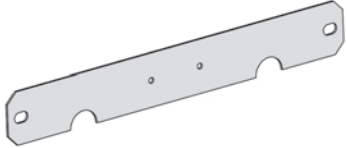
POKER PRO comes with a set of accessories for its operation and maintenance (tools, hex wrenches...) supplied in a special tool kit comprising:

<p>stop bar</p> 	<p>fuses 4 Amp.- delayed</p> 	<p>Allen keys set 1,5 ÷ 5 mm</p> 
<p>∅ 1,7 mm steel pin</p> 	<p>13 mm spanner</p> 	<p>19 mm spanner</p> 
<p>∅ 1,2 mm steel pin</p> 	<p>slanted brush</p> 	<p>laser warning label (Ch.1.2)</p> 
<p>Quick Guide (Ch.3.4.3)</p> 	<p>adhesive hooks for Quick Guide</p> 	

Cutter on machine:
cutter U01W



Separately:
fixing bracket:



2 HANDLING

The POKER PRO key-cutting machine is easy to handle and there are no special hazards involved in moving it. The packed machine can be carried manually by one person.

2.1 PACKING

The packing for the POKER PRO key-cutting machine ensures safe handling of the machine and all its components.

Packing comprises expanded plastic material wrapped around the machine. The robust cardboard box in which it is placed and the nylon wrapping protect the machine even when stored for a long period.

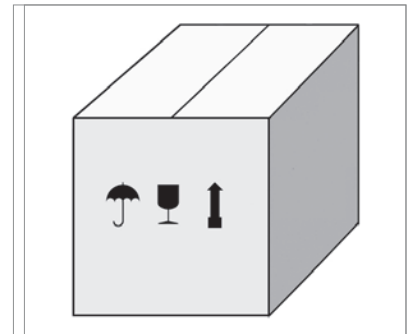


Fig. 7



Keep dry



Handle with care



Up

The symbols on the outside of the cardboard box give indications for transport.



ATTENTION: keep the complete packing for future machine transfers.

2.2 UNPACKING

To remove the machine from its packing:

- 1) Cut the strapping with scissors and remove.
- 2) Open the box carefully without damaging it.
- 3) Free the machine from the protective shells.
- 4) Check the contents of the packing, comprised of:
 - POKER PRO key-cutting machine
 - documentation comprising: user's manual, quick guide sheet, optional accessories guide, spare parts sheet, and warranty
 - power lead
 - power pack
 - tool kit
 - fixing bracket

2.3 HANDLING THE MACHINE

Once removed from its packing place POKER PRO directly on the work bench; one person can easily perform this operation.



ATTENTION: lift the machine by holding onto the base. Never lift the machine by gripping the clamps, levers or other parts.

3 MACHINE INSTALLATION AND PREPARATION

Installation is the customer's task and does not require any special skills.

The key-cutting machine is supplied ready for use and does not need calibration; however, the operator is required to make certain checks and prepare the machine for use.

3.1 CHECKING FOR DAMAGE

POKER PRO is a solid compact machine and will not break if handling, unpacking and installation are carried out to the instructions in this manual. However, it is good practice to check that the machine has not been damaged.

3.2 ENVIRONMENTAL CONDITIONS

To make the most of the key-cutting machine, bear in mind the following environmental parameters: it is advisable for the area to be dry with good air circulation.

The optimum environmental conditions for machine operation are:

- temperature 10° C to 40°C;
- relative humidity: approx 60%.

3.3 POSITIONING

- 1) Place the key-cutting machine on a solid horizontal work bench suitable for the weight of the machine (16 Kg). The work bench should be approximately 100-120 cm high to facilitate access to the working parts. We recommend leaving at least 30 cm clearance behind and around the machine to ensure good ventilation and facilitate handling (Fig. 8).
- 2) Make sure machine voltage is suitable for the mains supply and that the latter is earthed with a differential switch.
- 3) Connect the power lead (power pack) to the machine (Ch.3.4.1).

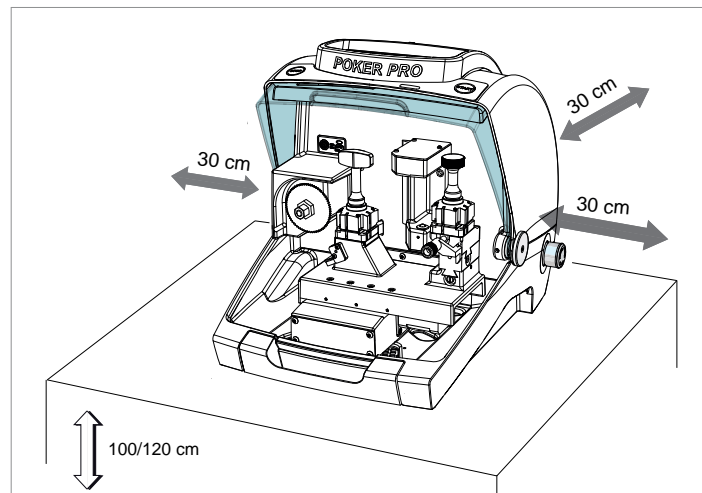


Fig. 8

3.4 SEPARATE PARTS

The machine packing also contains the following components, separately packed:

3.4.1 Power pack and lead

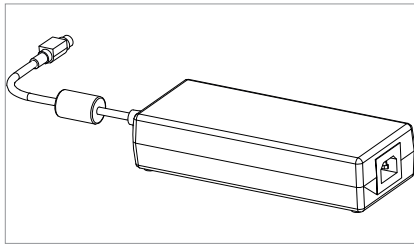


Fig. 9

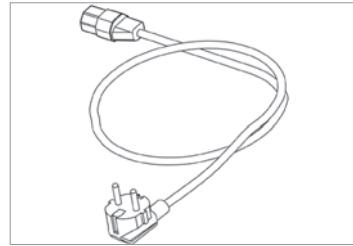


Fig. 10

Connect POKER PRO to the power pack (W) and connect the latter to the power supply with the power lead (W2).

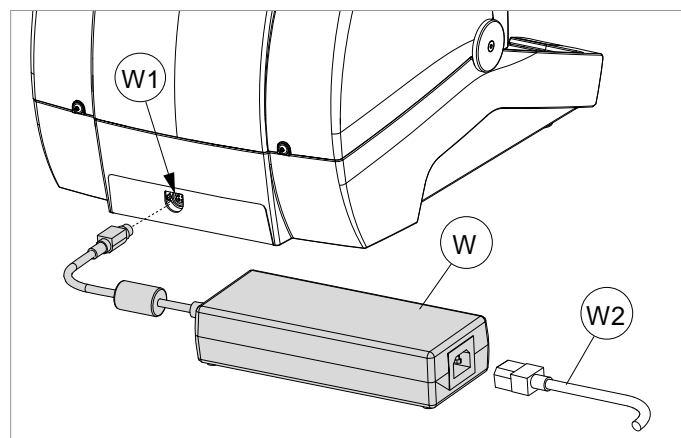


Fig. 11

3.4.2 Fixing bracket

If the key-cutting machine is transported and used on a vehicle, e.g. a van, it must be prepared as follows:

- 1) Turn off the machine and detach the power lead.
- 2) Remove the tablet holder and tablet.
- 3) Turn the key-cutting machine onto its back.
- 4) Connect the fixing bracket to the machine and secure with the 2 screws.
- 5) Return the machine to its upright position on the work top.

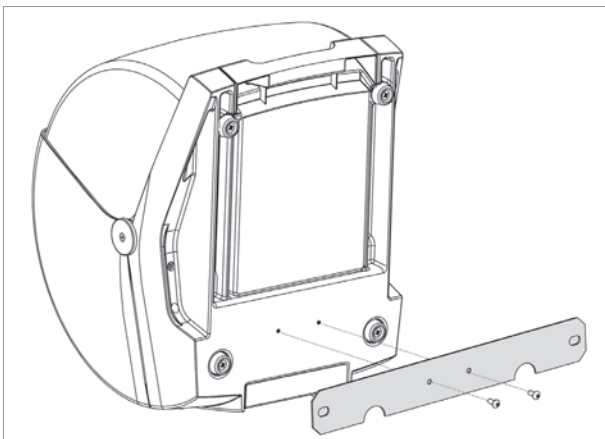


Fig. 12

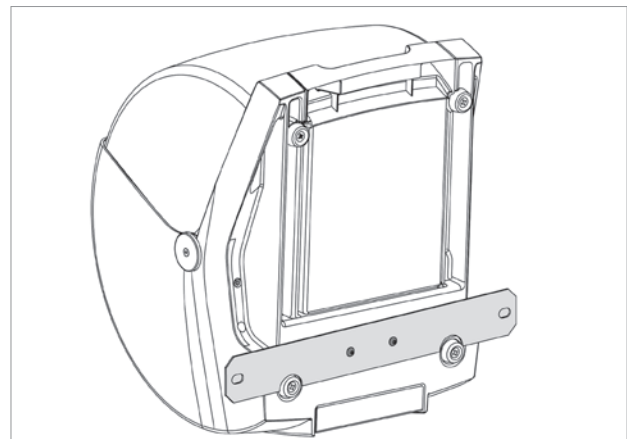


Fig. 13

3.4.3 Quick Guide

It's possible apply the Quick Guide sheet to the cover of the machine, using one of the supplied adhesive hooks (Z1) (Ch.1.4).

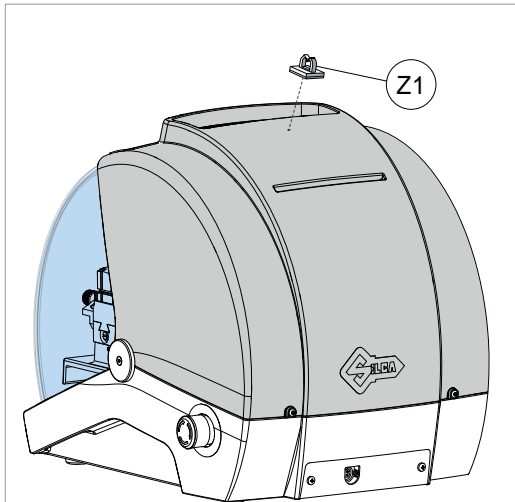


Fig. 14

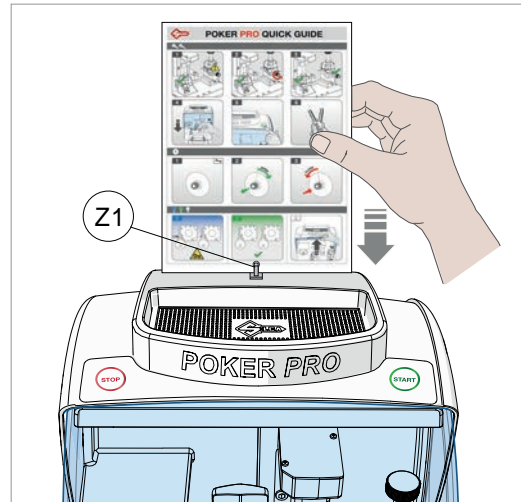


Fig. 15

3.5 WORK STATION DESCRIPTION

One operator is enough to operate the machine, which has the following operating parts:

- **General ON/OFF/emergency button (R)** located on the right-hand side of the machine
- **START button (A)**
- **STOP button (B)**
- **Safety shield (C)**
- **CUTTER (F)**
- **Clamp (M)** for key blank - CUTTER side
- **OPTICAL READER (H)**
- **Clamp (P)** for original key - OPTICAL READER side
- **Clamp-tightening knob (M1) (P1)**

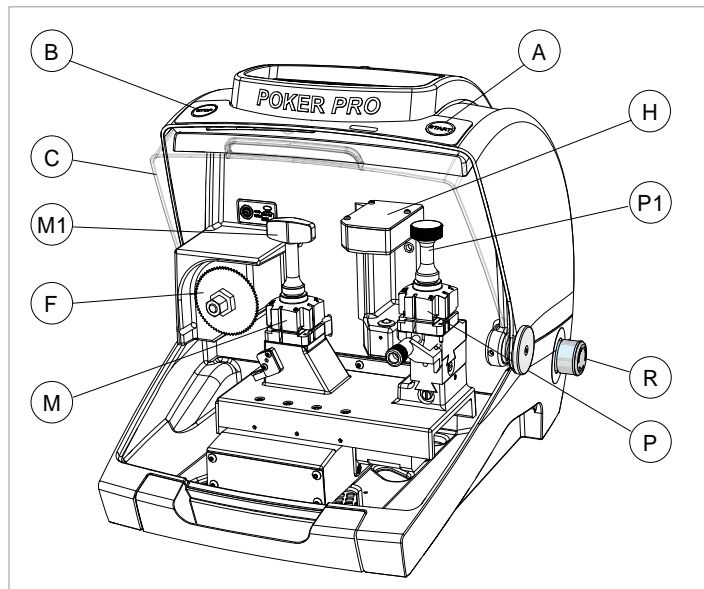


Fig. 16

MACHINE POWER ON

To turn on the cutting machine, connect it to the mains and turn the red ignition/emergency button (R).

4 CLAMPS

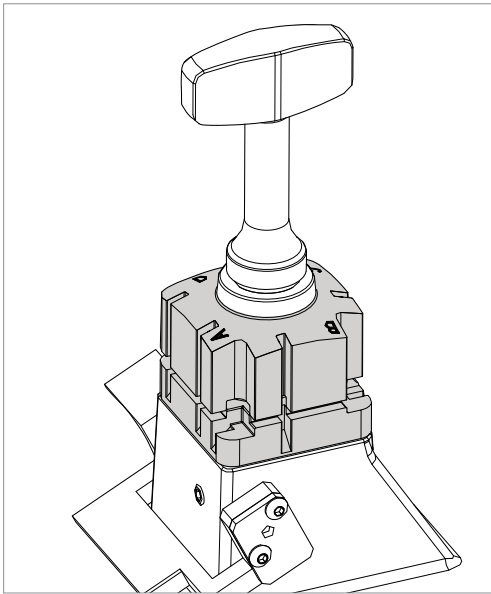


Fig. 17 - Clamp CUTTER side

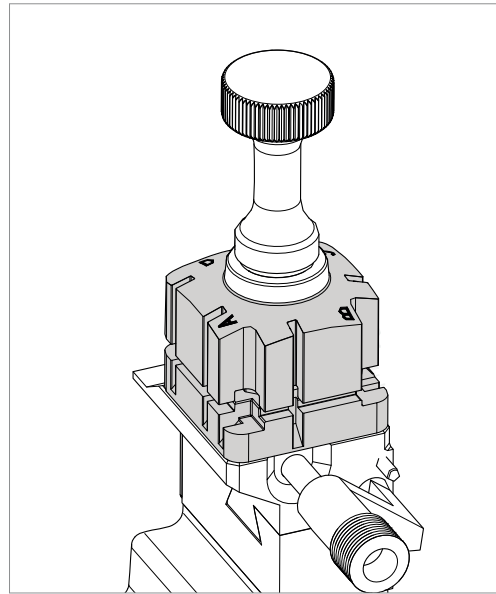


Fig. 18 - Clamp OPTICAL READER side

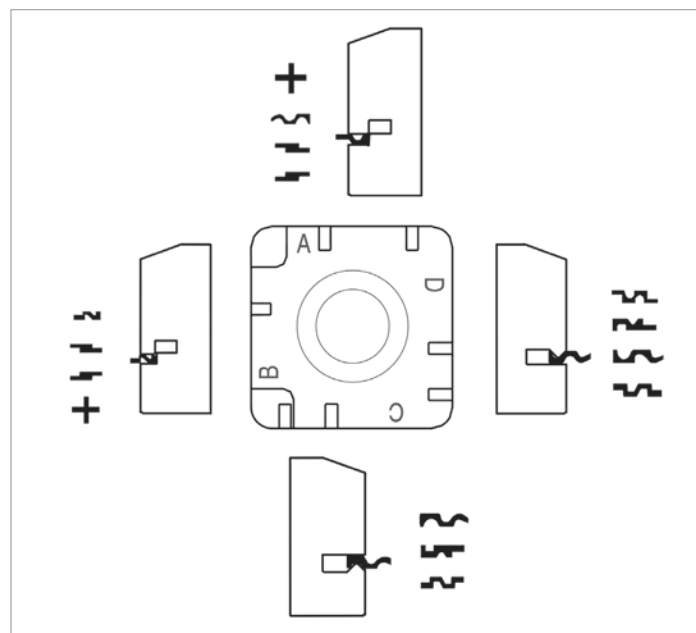


Fig. 19

The 4-sided clamp is used to secure keys firmly up against the back and on the profile. Place the clamps in position with the most suitable side for the key to be cut.

- **Side A:** for keys to be fitted on their backs, keys with double cuts without groove and cruciform keys;
- **Side B:** for keys placed on their backs and having cuts with a depth of less than 3,9 mm and cruciform keys;
- **Side C and D:** for keys to be cut on both sides and locked on the groove.

4.1 CLAMPS ROTATION

Positioning the correct side to be used is quick and easy. With the clamp jaws slightly open, turn the clamp by hand to position it as required, facilitated by a new special alignment system (Fig. 20).

NOTE: carry out the operation for both clamps.

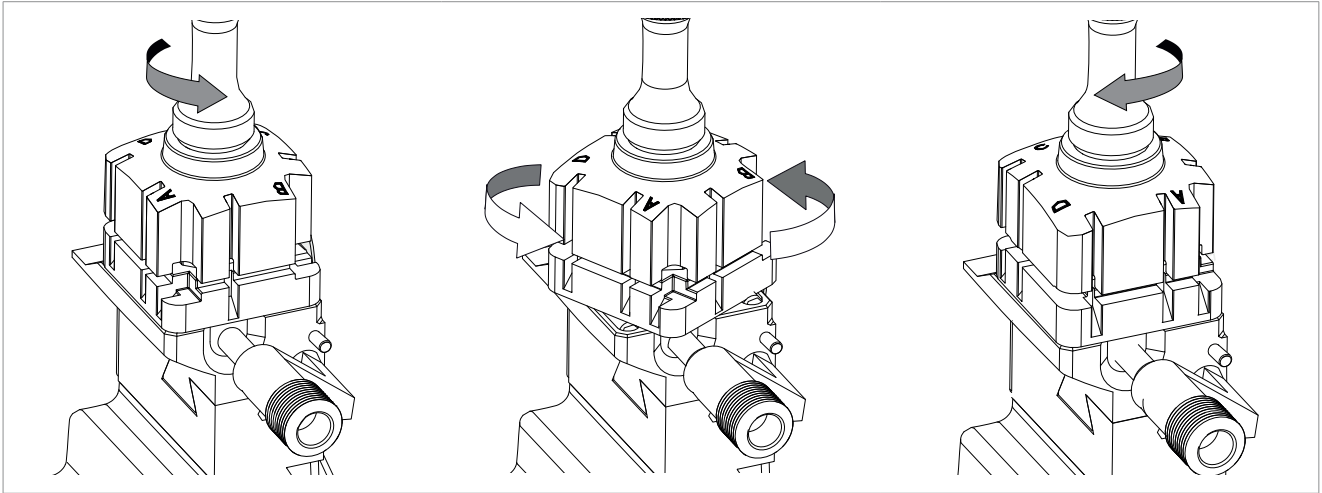


Fig. 20 - CLAMPS ROTATION

4.2 USE OF THE GAUGES

The gauge is used to position flat cylinder or vehicle keys that call for Stop 0 (Fig. 29).

- **CUTTER SIDE gauge**

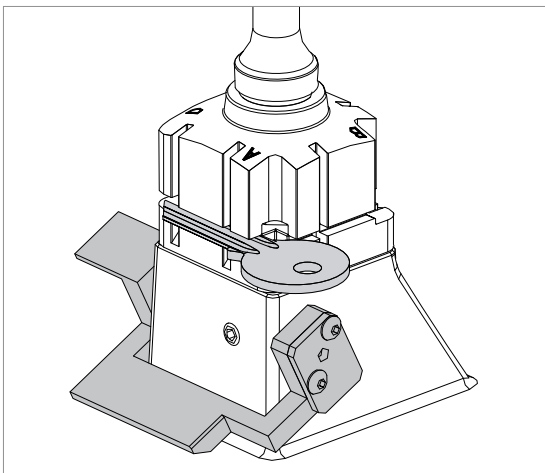


Fig. 21

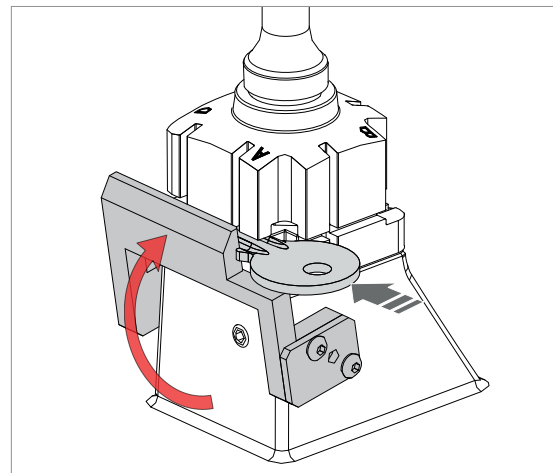


Fig. 22

Secure the key blank into the clamp, with the stop up against the gauge.

NOTE: there is no need to lower the gauge manually before the cutting operation.

- **READER SIDE gauge**

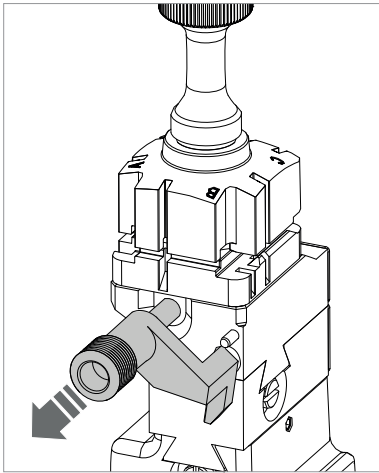


Fig. 23

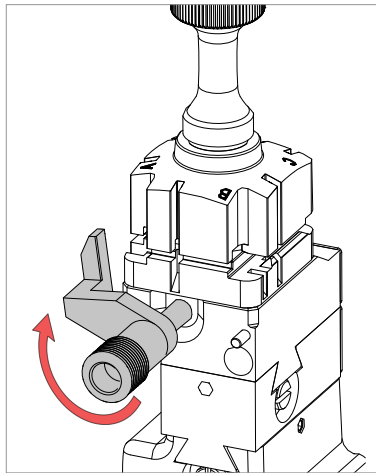


Fig. 24

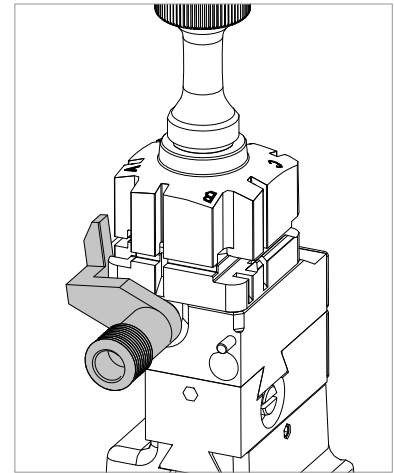


Fig. 25

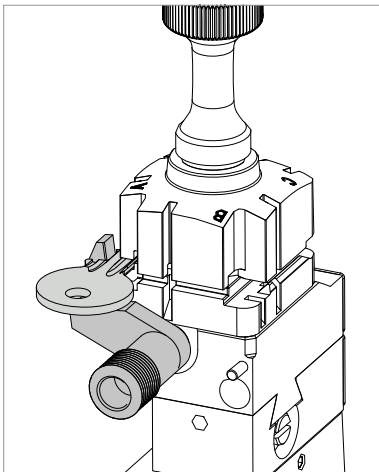


Fig. 26

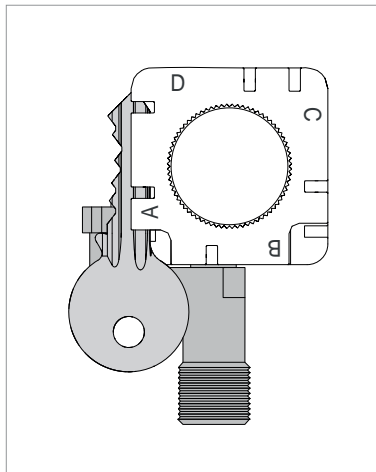


Fig. 27

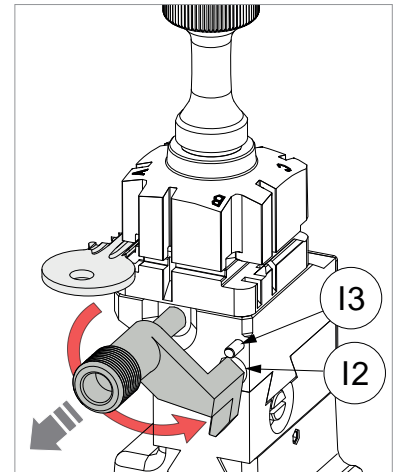


Fig. 28

Pull the gauge gently towards the operator (Fig. 23), turn clockwise by about 180° (Fig. 24) and release against the clamp (Fig. 25).

Fit the original key key into the clamp with the stop up against the gauge (Fig. 26 and Fig. 27).

NOTE: before starting key reading THE GAUGE MUST BE TAKEN MANUALLY TO ITS ORIGINAL POSITION (Fig. 28).

For all reading and cutting operations the gauge (I) must be taken back manually to its original position (Fig. 28 - in this position it covers the sensor (I2) which detects it).

To take the gauge to its original position (with the gauge up against the key stop) proceed as follows:

- 1) Turn counter-clockwise;
- 2) Pull towards the operator and continue to rotate counter-clockwise until it comes up against the stop pin (I3);
- 3) Release the gauge.

4.3 STOP POSITIONS (KEY STOP)

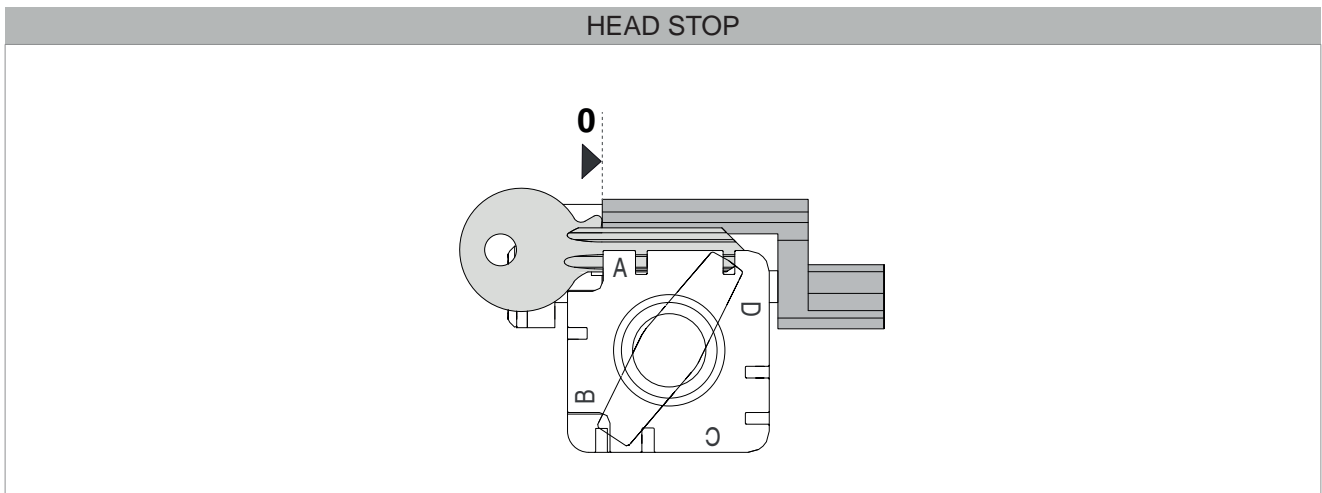


Fig. 29 - Stop 0

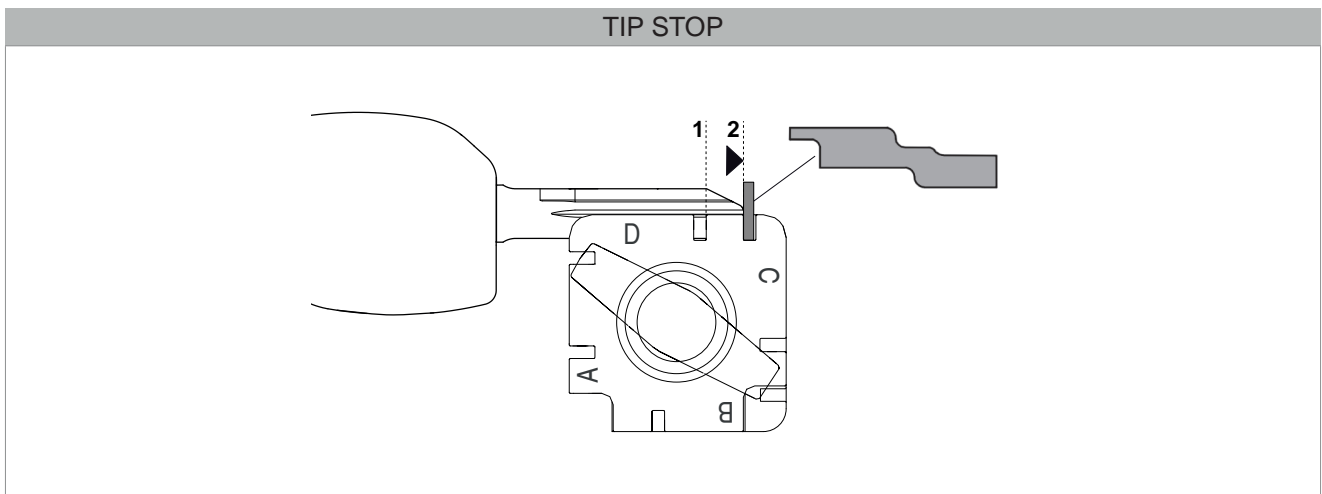


Fig. 30: Stop 1 - 2

Use the bar provided (Ch.4.3) for keys without stops with the tip as a reference.
The choice of position 1 or 2 depends on the length of the cuts.
Insert the bar into the grooves on the clamp.



ATTENTION: remove the bar before proceeding with the cutting operation.



ATTENTION: it is not necessary to apply force to the handle to grip the key in the clamp properly.

4.4 USE OF PINS

For keys with narrow stems the pins must be placed between the bottom of the clamp and the back of the key so that the key protrudes sufficiently out of the clamp and therefore can be properly read and cut.

If the key has a narrow stem and is also very thin, 2 pins must be used (Fig. 31).

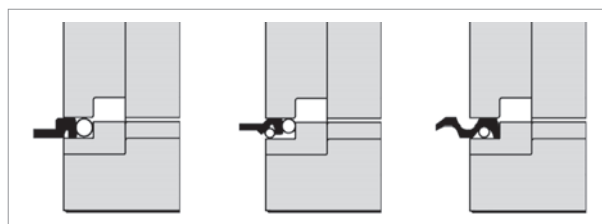


Fig. 31

If the original key is broken, place a suitable sized pin in the groove of the keys stem so that it is properly held in place and therefore can be copied (Fig. 32).

NOTE: use pins with the same diameters for locking both the original and the key blank.

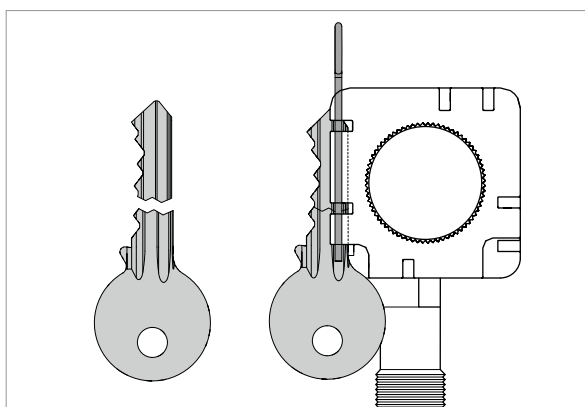


Fig. 32

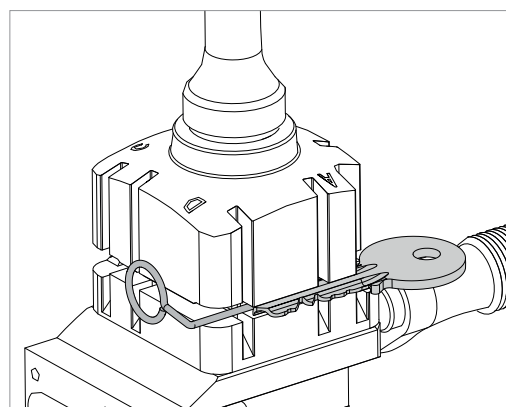


Fig. 33

4.5 CUTTING CRUCIFORM KEYS

The standard 4-sided clamp can be used to cut almost all cruciform keys (except for Y and T shaped ones).

- 1) Leave the gauge in its original position.
- 2) Fit the key into the clamp.
- 3) Butt the key stop against the bars.
- 4) Secure the keys in the clamps.
- 5) **Remember to remove the bars before proceeding with cutting.**
- 6) Cut the first side.
- 7) Repeat the operation, turning both keys in the same direction for the other positions.

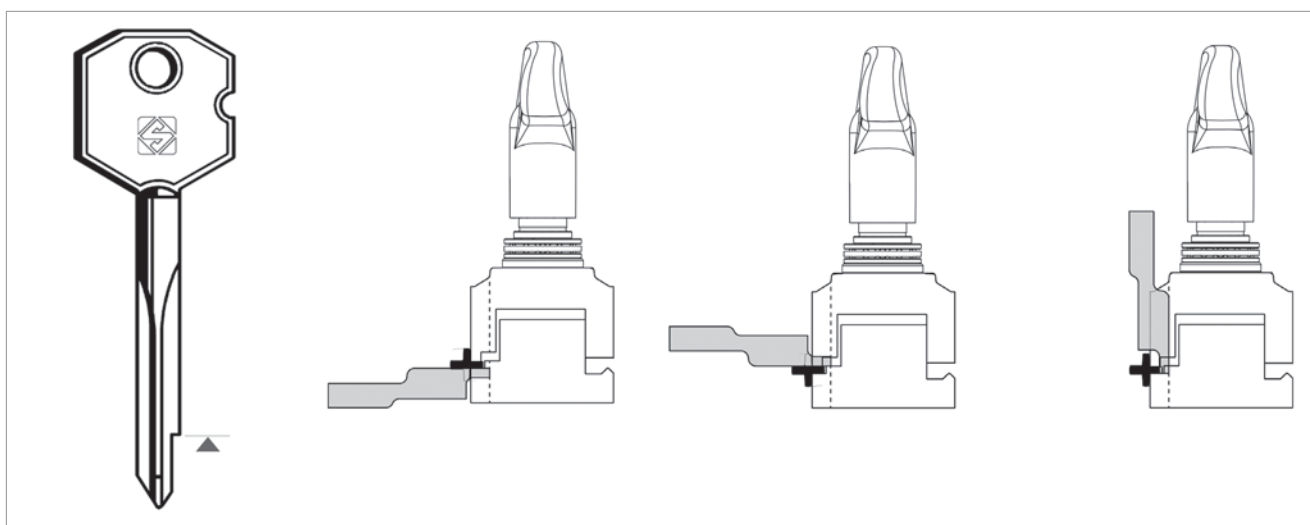


Fig. 34

5 KEY COPYING / CUTTING

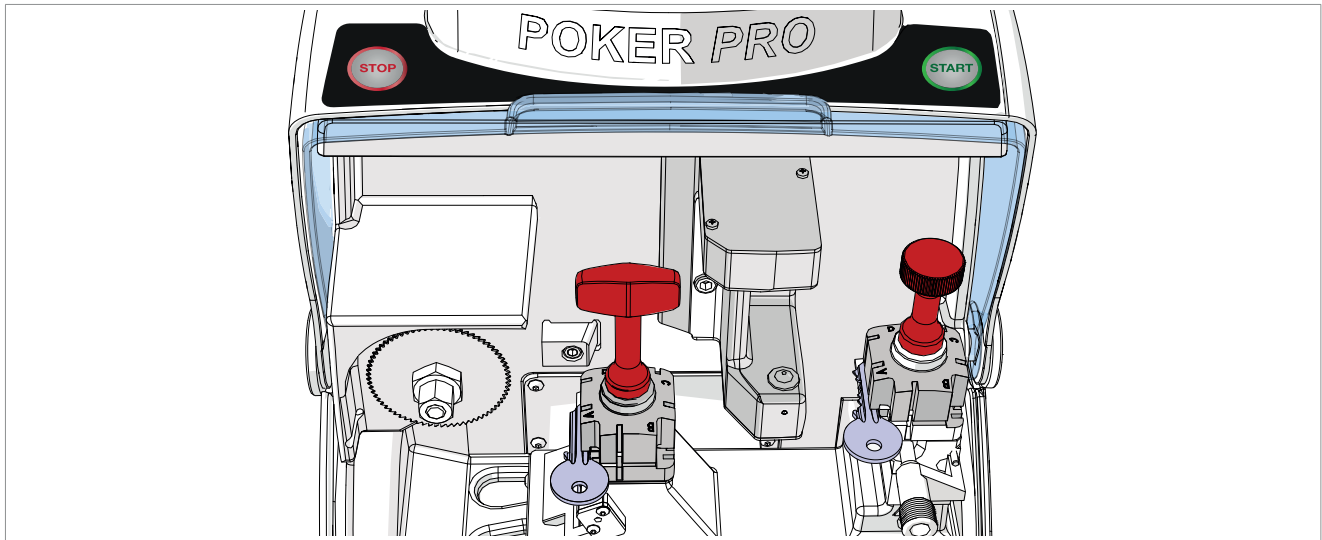


Fig. 35

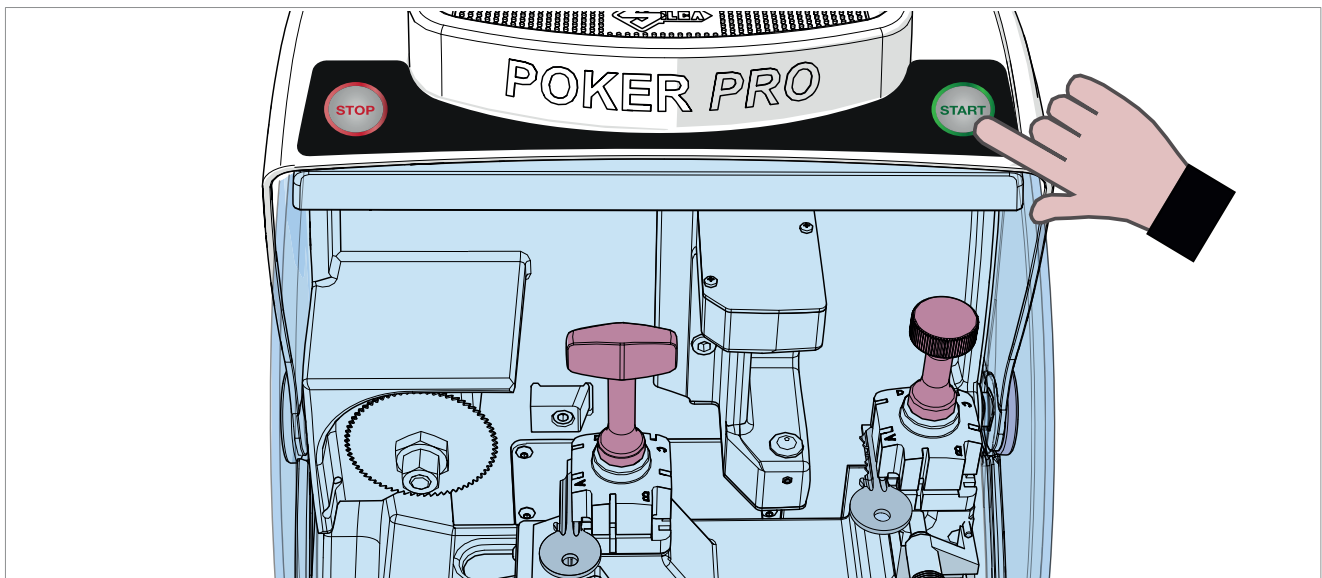


Fig. 36

- 1) Raise the safety shield (C).
- 2) Prepare the clamps on the most suitable side for the key to be cut (Ch.4.1).
- 3) Insert the ORIGINAL KEY into the clamp on the READER SIDE.
- 4) Insert the KEY BLANK to be cut into the clamp on the CUTTER SIDE.
- 5) Take the reader-side gauge to the original position (Fig. 28, page 15).
- 6) Lower the safety shield (C).
- 7) Press START to start the cutting operation, indicated by a BLUE LIGHT (Fig. 37 - BLUE light).
- 8) The end of the cutting operation is indicated by a GREEN LIGHT (Fig. 38 - GREEN light).



ATTENTION: with heavy processes (worn cutter, particular key material or thicknesses) carriage advance will be slowed down by the machine software.

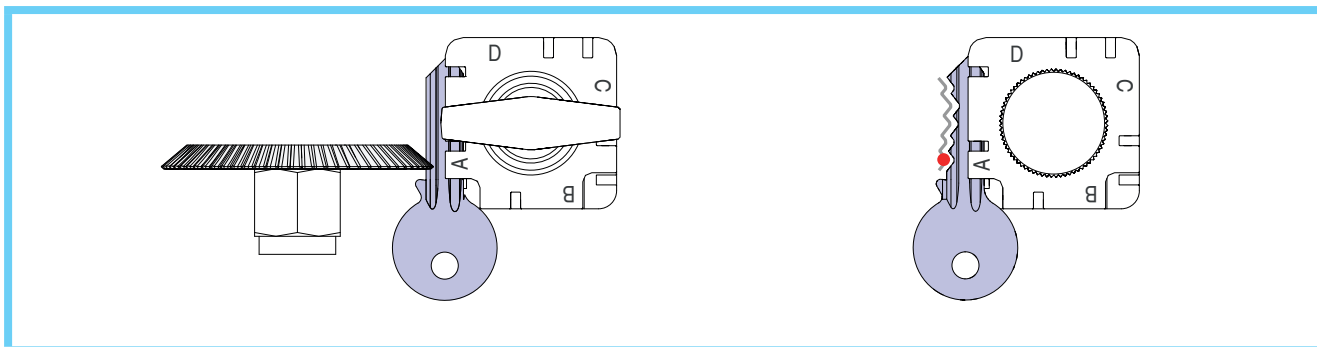


Fig. 37 - BLUE light

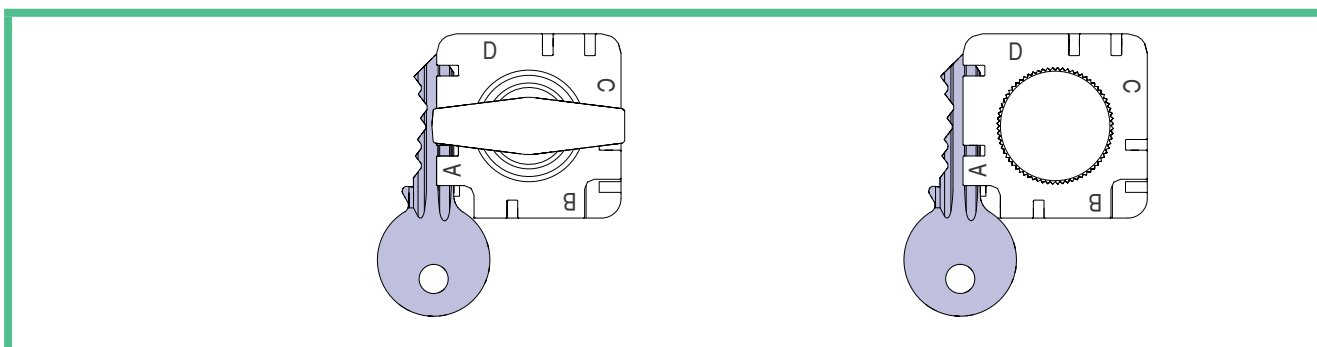


Fig. 38 - GREEN light

5.1 MAXIMUM ALLOWED KEY DIMENSIONS FOR READING

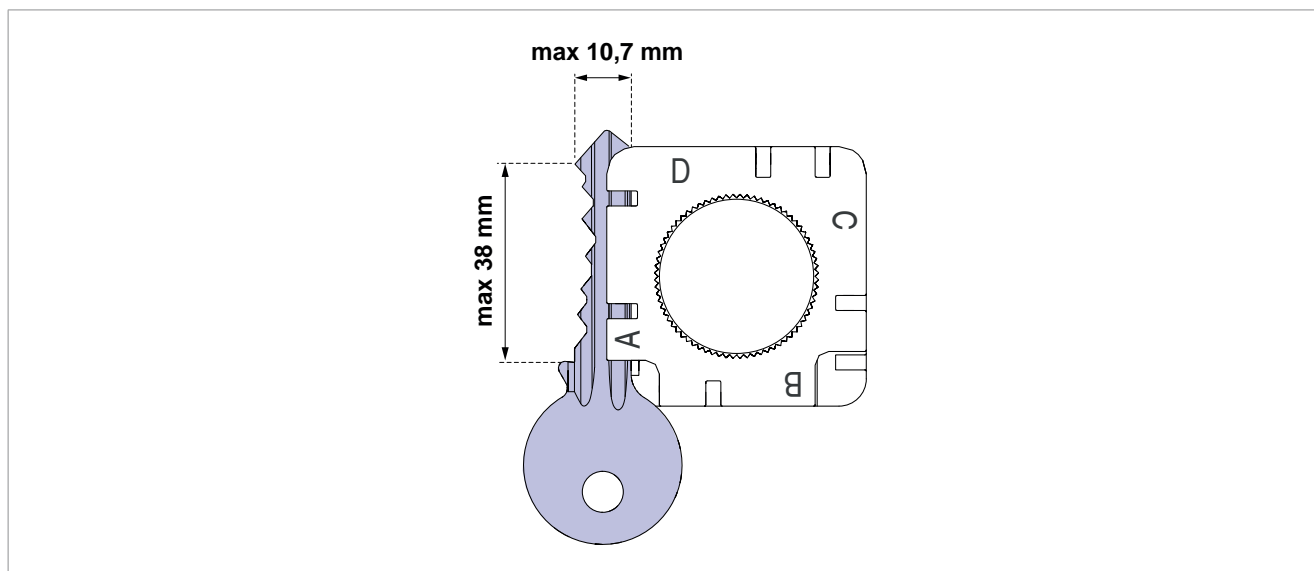


Fig. 39

6 OPERATION OR ERROR INDICATION LIGHTS

SIGNAL		DESCRIPTION	WHAT TO DO
LIGHT	SOUND		
RED FIXED	-	<ul style="list-style-type: none"> STOP button pressed with machine in motion 	<ul style="list-style-type: none"> Press STOP to re-position the carriages. Raise and lower the safety shield and press START to re-position the carriages and re-start the cycle. Contact Silca After-Sales Service.
	-	<ul style="list-style-type: none"> Error X-Y axes motors The carriages do not move after pressing START and after 6 seconds the RED fixed light illuminates. Error X-Y axes sensors After pressing START the carriages move up against the limit switch. The RED light illuminates. 	<ul style="list-style-type: none"> Contact Silca After-Sales Service.
	-	<ul style="list-style-type: none"> Fresa non alimentata 	<ul style="list-style-type: none"> Contact Silca After-Sales Service.
RED 2 FLASHES	2 BEEPS	<ul style="list-style-type: none"> The safety shield is not closed 	<ul style="list-style-type: none"> Close the shield.
		<ul style="list-style-type: none"> The safety shield has never been raised during the last operation 	<ul style="list-style-type: none"> Raise and lower the shield.
		<ul style="list-style-type: none"> Safety shield microswitch faulty 	<ul style="list-style-type: none"> Contact Silca After-Sales Service.
RED 3 FLASHES <small>(in groups of 2)</small>	3 BEEPS <small>(in groups of 2)</small>	<ul style="list-style-type: none"> Cutter motor stalled Cutter locked on key 	<ul style="list-style-type: none"> Press STOP to re-position the carriages. Raise and lower the shield and press START to re-position the carriages and re-start the cycle. Contact Silca After-Sales Service.
		<ul style="list-style-type: none"> Cutter locked 	<ul style="list-style-type: none"> Check for material blocking the cutter. Contact Silca After-Sales Service.
RED 4 FLASHES <small>(in groups of 2)</small>	4 BEEPS <small>(in groups of 2)</small>	<ul style="list-style-type: none"> Gauge out of position Anomaly on gauge sensor 	<ul style="list-style-type: none"> Take the gauge to the original position (above the sensor). Contact Silca After-Sales Service.
BLUE 2 FLASHES	2 BEEPS	<ul style="list-style-type: none"> Optical reader obstructed or not working 	<ul style="list-style-type: none"> Clean the optical reader. Contact Silca After-Sales Service.
		<ul style="list-style-type: none"> Key dimensions exceeding allowed limits (see chap.5.1) 	<ul style="list-style-type: none"> Use keys with allowed dimensions. Contact Silca After-Sales Service.
BLUE 4 FLASHES <small>(in groups of 2)</small>	4 BEEPS <small>(in groups of 2)</small>	<ul style="list-style-type: none"> Key not found 	<ul style="list-style-type: none"> Fit the keys into the clamps. Contact Silca After-Sales Service.
BLUE RED 4 FLASHES <small>(in groups of 2)</small>	4 BEEPS <small>(in groups of 2)</small>	<ul style="list-style-type: none"> Pitches lost during operation; the machine resets the axes and then indicates an error. 	<ul style="list-style-type: none"> Check for foreign material obstructing carriage movement. Contact Silca After-Sales Service.
GREEN FIXED	-	<ul style="list-style-type: none"> Operation completed 	
SKY BLUE FIXED	-	<ul style="list-style-type: none"> Operation in progress 	
WHITE FIXED	-	<ul style="list-style-type: none"> Safety shield open 	

7 CLEANING

- **Keep the operational parts of the machine as clean as possible by brushing away the chippings in areas where they accumulate during cutting operations.**
- **Under no circumstances should compressed air be used to clear the work zone of chippings as this will blow them onto the moving parts.**
- **Never use oily products or thinners for cleaning painted surfaces, clamps, electrical or electronic connections.**
- **Carefully clean the clamps, optical reader and key to be read.**
- **To clean the plastic parts (cover+keypad and protective screen), use a damp wipe or a neutral, non-alcoholic solvent.**

8 MAINTENANCE



ATTENTION: for repairs or replacement of parts for maintenance, the 'CE' mark is guaranteed only if original spare parts provided by the manufacturer are used.

The POKER PRO key-cutting machine does not need special maintenance, but it is good practice to check and if necessary replace parts subject to wear: cutter, clamps.

Replacement operations are simple and can be performed by the operator.



ATTENTION: DO NOT USE COMPRESSED AIR!



ATTENTION: to maintain machine efficiency we recommend using protective oil such as WD40 or similar to apply to the burnished mechanical parts. Make sure the oil does not come into contact with the electronic parts.

Before performing any type of maintenance (checks or replacements) read the warnings below:

- Do not perform any maintenance operations with the machine on.
- Always disconnect the power lead.
- Follow the instructions in the manual carefully.
- Use original spare parts (see provided spare parts sheet).

8.1 OPERATIONS

- Removing / fitting the clamps
- Replacing the cutter
- Access to rear compartment
- Checking and replacing fuse
- Replacing the top cover / keypad

8.2 REMOVING / FITTING THE CLAMPS

- 1) Raise the safety shield.
- 2) Unscrew the knob and remove it with its ball bearing (Fig. 40).
- 3) Pull the clamp upwards (Fig. 41).
- 4) Carefully clean the seat of the clamp support.
- 5) Clean the clamp before fitting into the support.
- 6) Tighten the knob with its ball bearing.

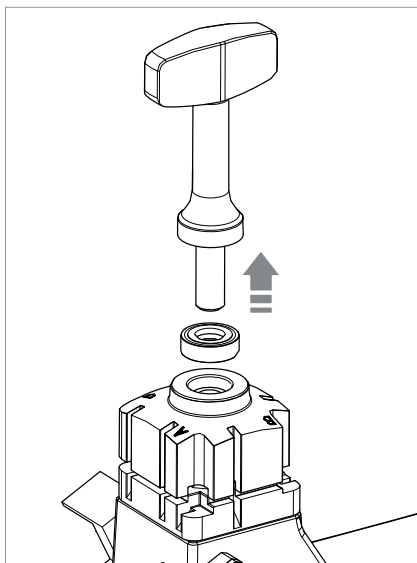


Fig. 40

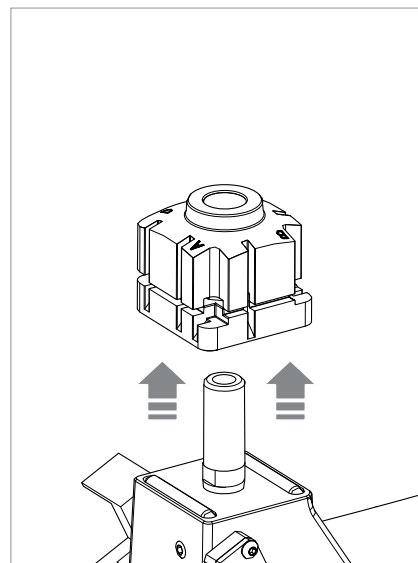


Fig. 41

8.3 REPLACING THE CUTTER

- 1) Turn off the key-cutting machine and unplug.
- 2) Raise the safety shield.
- 3) Use a 19mm wrench (provided) to hold still the hex washer (F1) (Fig. 42).
- 4) Use a 13mm wrench (provided) to LOOSEN THE NUT (F2) CLOCKWISE (Fig. 43). **ATTENTION: THE THREAD IS LEFT-HANDED.**
- 5) Remove the nut (F2), hex washer (F1) and cutter (F) (Fig. 44).
- 6) Carefully clean the cutter shaft seat and the new cutter.
- 7) Fit the new cutter (F), paying attention to the direction of rotation.
- 8) Fit the hex washer (F1) and TIGHTEN THE NUT (F2) ANTICLOCKWISE. **ATTENTION: THE THREAD IS LEFT-HANDED.**

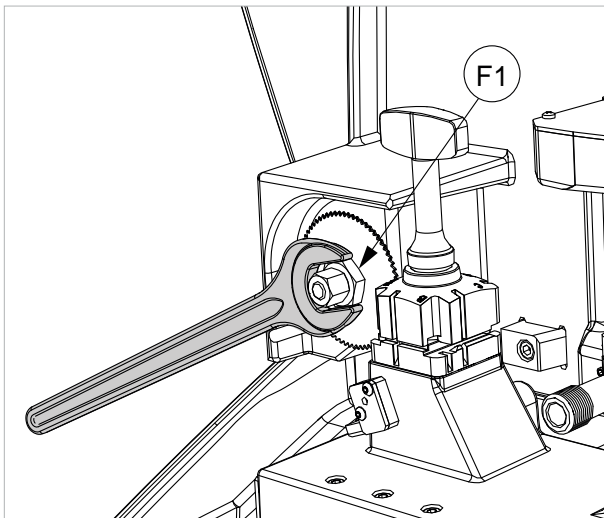


Fig. 42

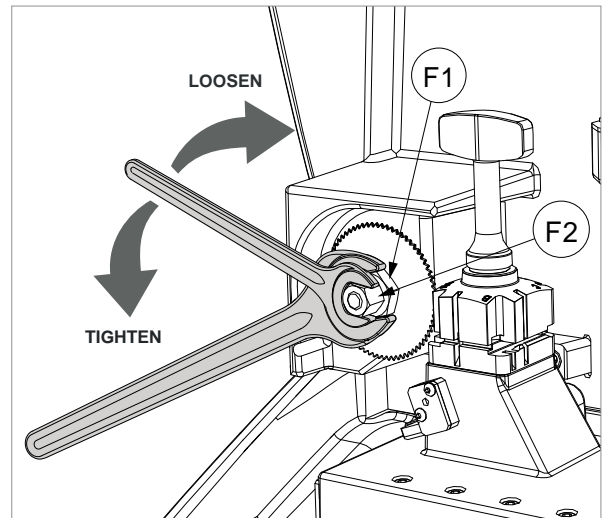


Fig. 43

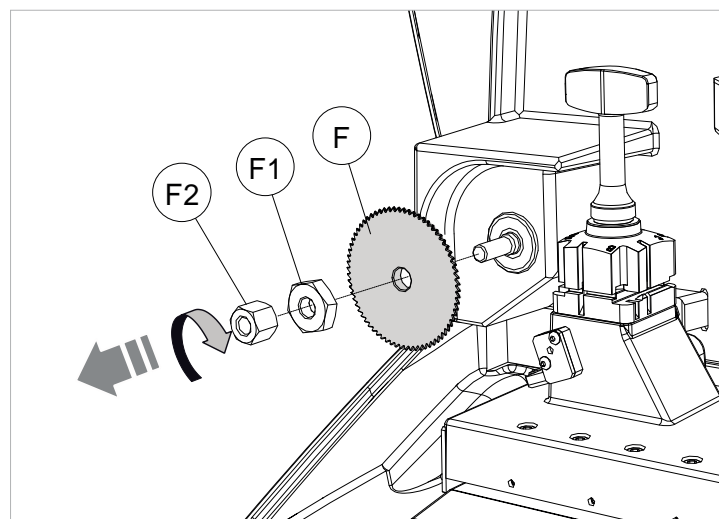


Fig. 44

8.4 ACCESS TO REAR COMPARTMENT

- 1) Turn off the key-cutting machine and unplug.
- 2) Loosen the 2 screws (E1) and the 2 screws (E2) (Fig. 45).
- 3) Rotate the cover towards the front of the machine (Fig. 46).

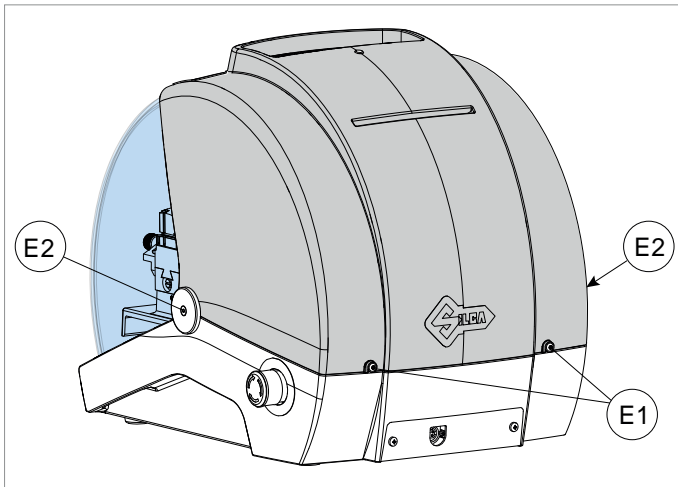


Fig. 45

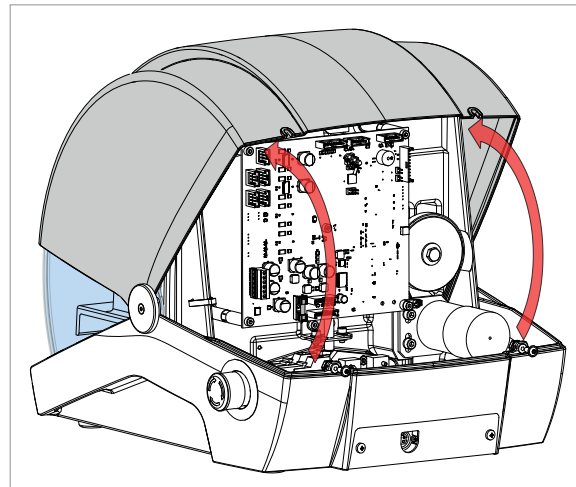


Fig. 46

8.5 CHECKING AND REPLACING THE FUSE

Fuses should be checked with a tester (ohmmeter, multimeter, etc.) as they may appear to be in good condition even when they are electrically faulty. Fuses must always be replaced with the same amperage and type (rapid or delayed), as indicated in this manual.

POKER PRO has 1 fuse:

4 Amps delayed

Protects the cutter motor and its electronic controls (24 d.c.)

Follow the instructions below to check and, if necessary, replace:

- 1) Turn off the key-cutting machine and unplug.
- 2) Access the rear compartment (Ch.8.4).
- 3) Remove the fuse from its seat (Fig. 47) and replace if necessary.

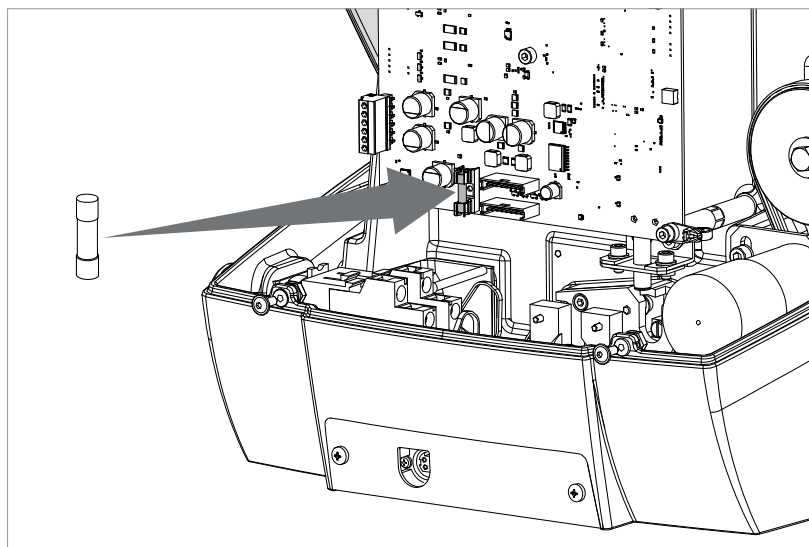


Fig. 47

8.6 REPLACING THE TOP COVER / KEYPAD

- 1) Turn off the key-cutting machine and unplug.
- 2) Access the rear compartment (Ch.8.4).
- 3) Disconnect the keypad flat cable (Fig. 48).
- 4) Remove the screws (E2) and washers (E3) (Fig. 49).
- 5) Remove the top cover (E) .
- 6) Place the new cover in position, paying attention to the keypad flat cable.
- 7) Connect the keypad flat cable to the circuit board.
- 8) Secure the cover (E) with the screws (E2) and washers (E3).
- 9) Tighten the two rear screws (E1).

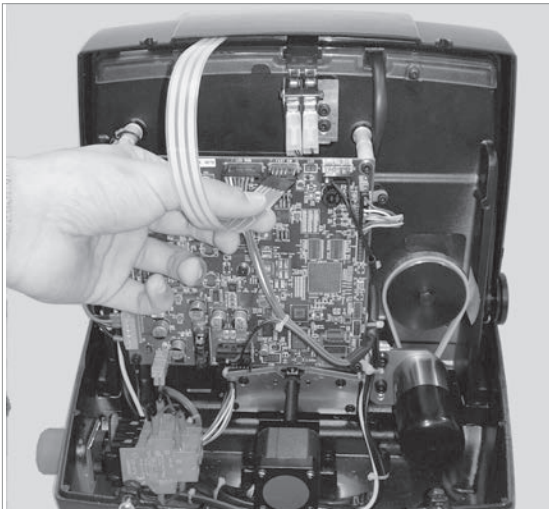


Fig. 48

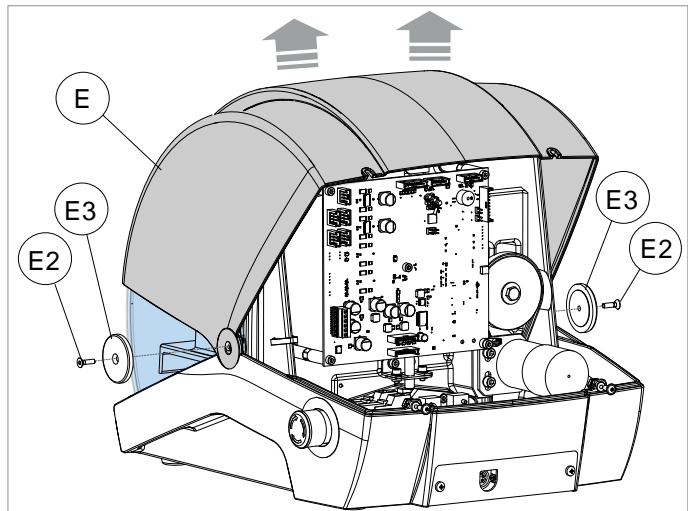


Fig. 49

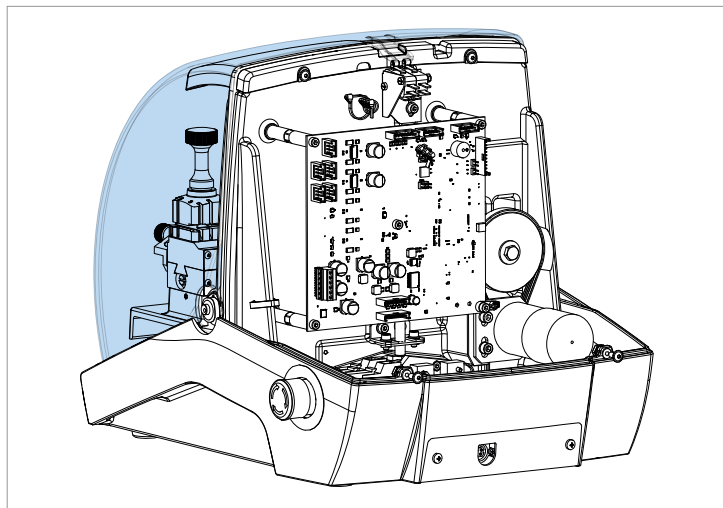


Fig. 50

9 DISPOSAL

For correct disposal please refer to current standards.

INFORMATION FOR USERS OF PROFESSIONAL EQUIPMENT



From “Actuation of Directive 2012/19/EU regarding Waste Electrical and Electronic Equipment (WEEE)”

The symbol of a crossed waste bin found on equipment or its packing indicates that at the end of the product's useful life it must be collected separately from other waste so that it can be properly treated and recycled.

In particular, separate collection of this professional equipment when no longer in use is organised and managed:

- a) directly by the user when the equipment was placed on the market before 31 December 2010 and the user personally decides to eliminate it without replacing it with new equivalent equipment designed for the same use;
- b) by the manufacturer, that is to say the subject which was the first to introduce and market new equipment that replaces previous equipment, when the user decides to eliminate equipment placed on the market before 31 December 2010 at the end of its useful life and replace it with an equivalent product designed for the same use. In this latter case the user may ask the manufacturer to collect the existing equipment;
- c) by the manufacturer, that is to say the subject which was the first to introduce and market new equipment that replaces previous equipment, if it was placed on the market after 31 December 2010;

With reference to portable batteries/accumulators, when such products are no longer in use the user shall take them to suitable authorised waste treatment facilities.

Suitable separate collection for the purpose of forwarding discarded equipment and batteries/accumulators for recycling, treatment or disposal in an environmentally friendly way helps to avoid possible negative effects on the environment and human health and encourages re-use and/or recycling of the materials making up the equipment.

To remove batteries/accumulators, consult the manufacturer's specific instructions: (see relevant chapter in the users' manual)

The sanctions currently provided for by law shall apply to users who dispose of equipment, batteries and accumulators in unauthorised ways.

10 ASSISTANCE

Silca provides full assistance to purchasers of the key-cutting machine. To ensure complete safety for the operator, any job not specified in this manual should be carried out by the manufacturer or in the special Service Centres recommended by Silca.

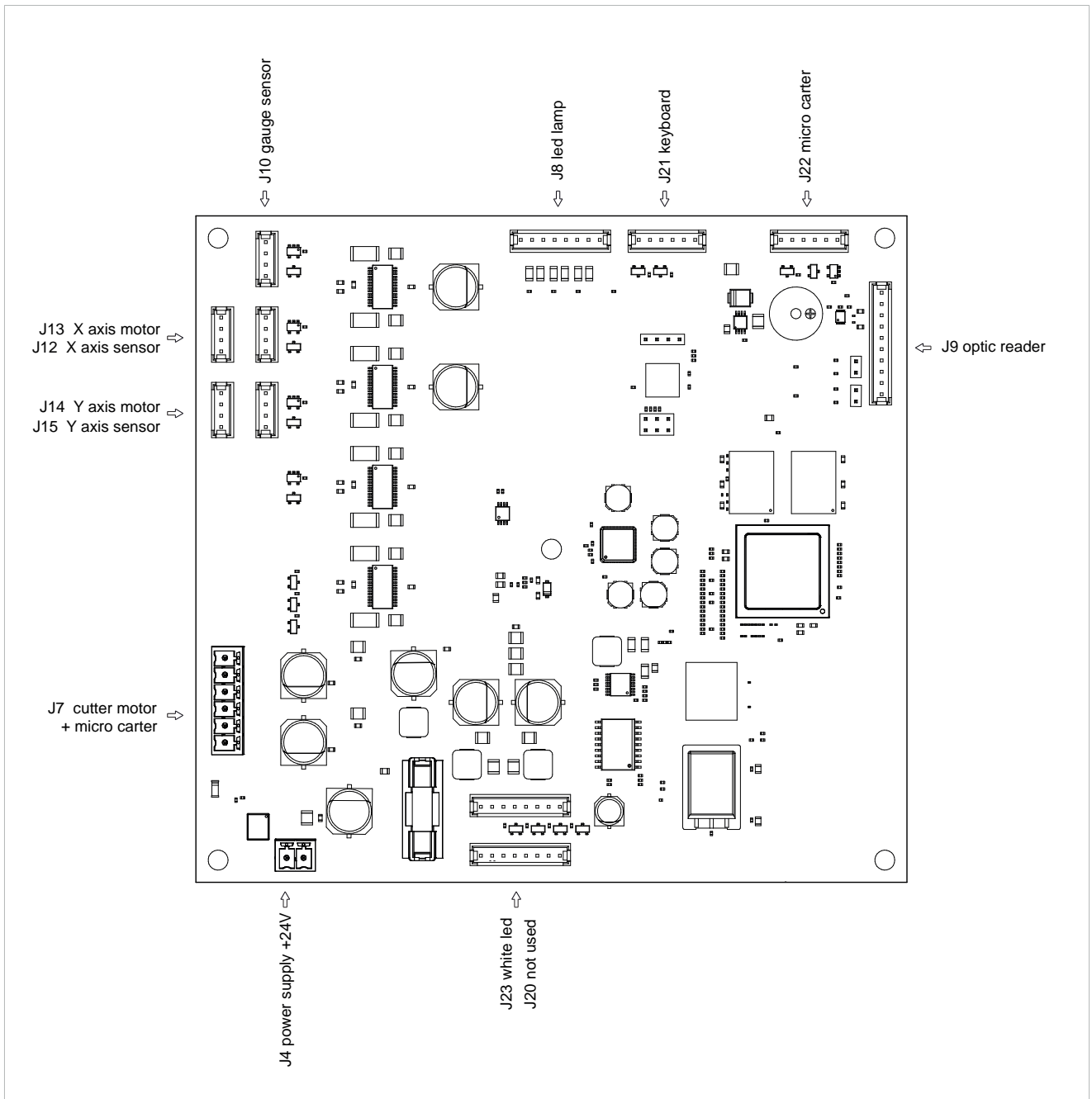
At the end of the manual there is a list of manufacturers' and authorized Service Centre addresses; if the manual was downloaded is necessary visit the website to see the contacts (www.silca.biz).

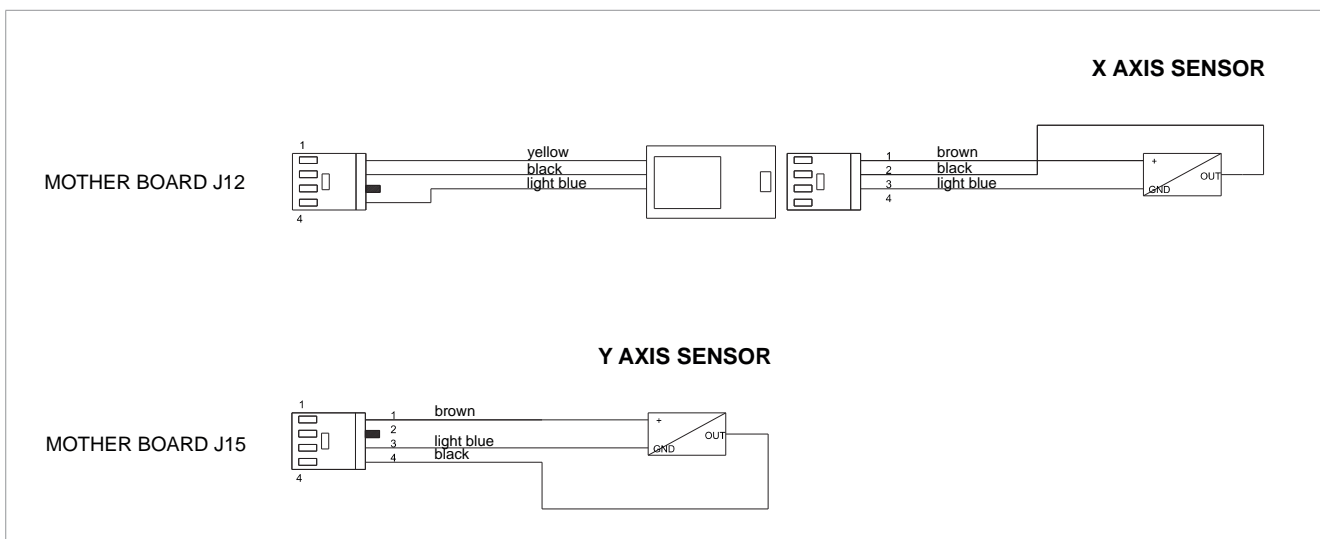
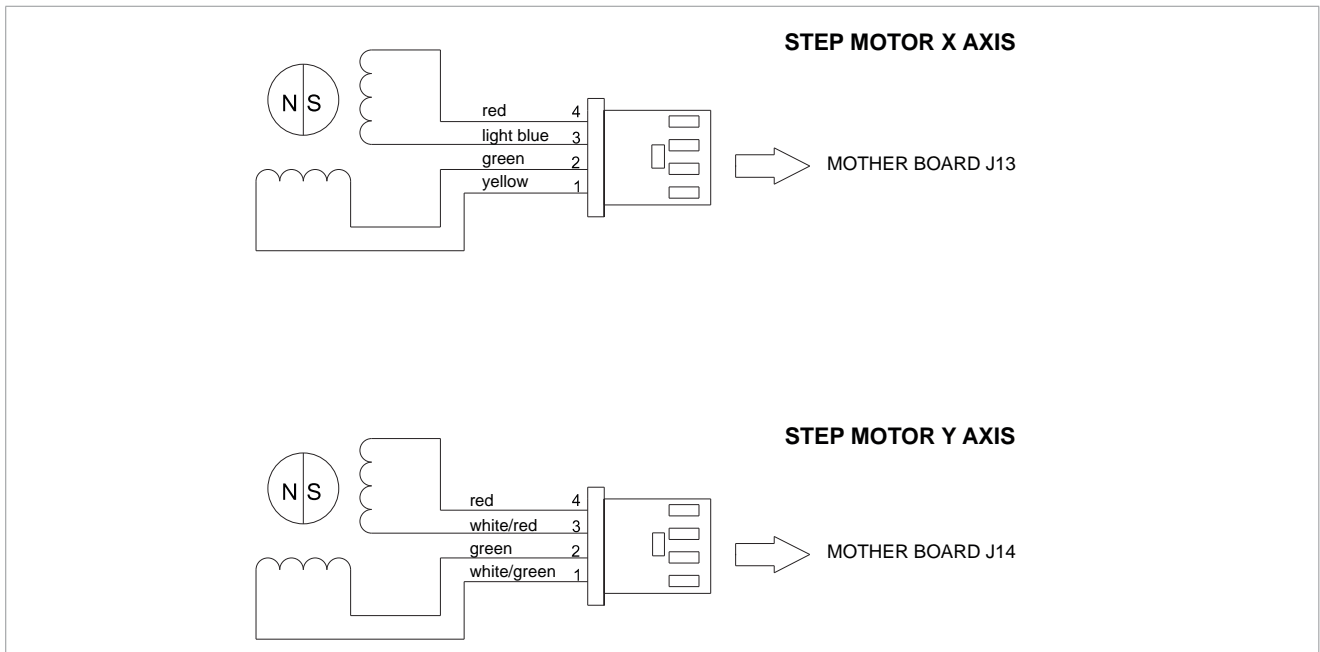
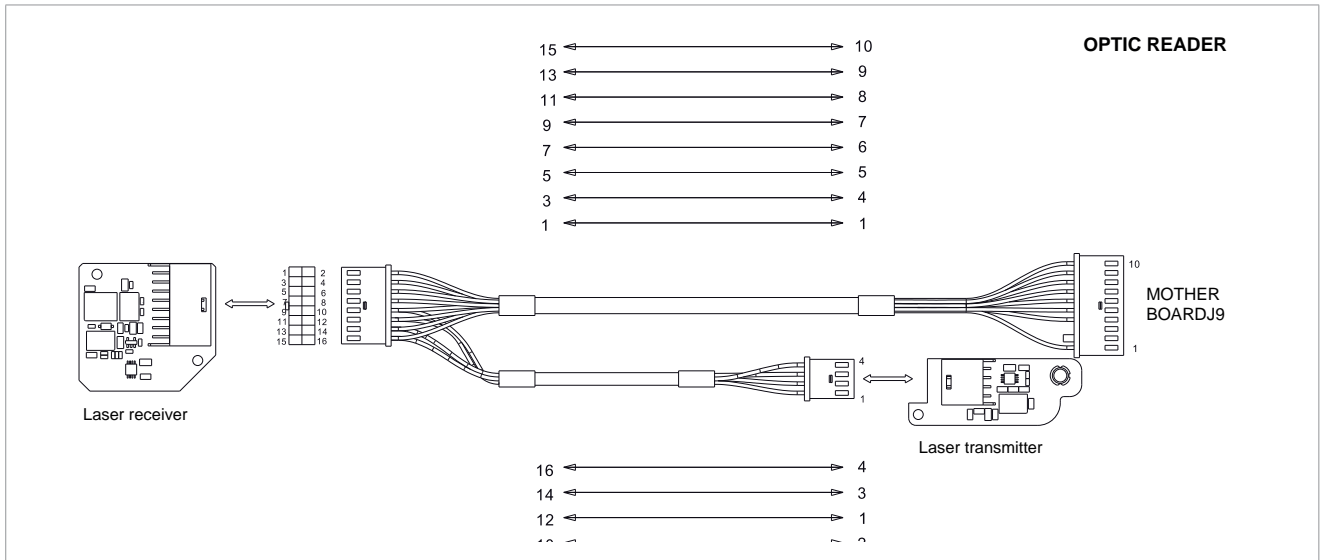
Silca undertakes to make consumables, optional items and spare parts available for the limited time defined in its product obsolescence policy.

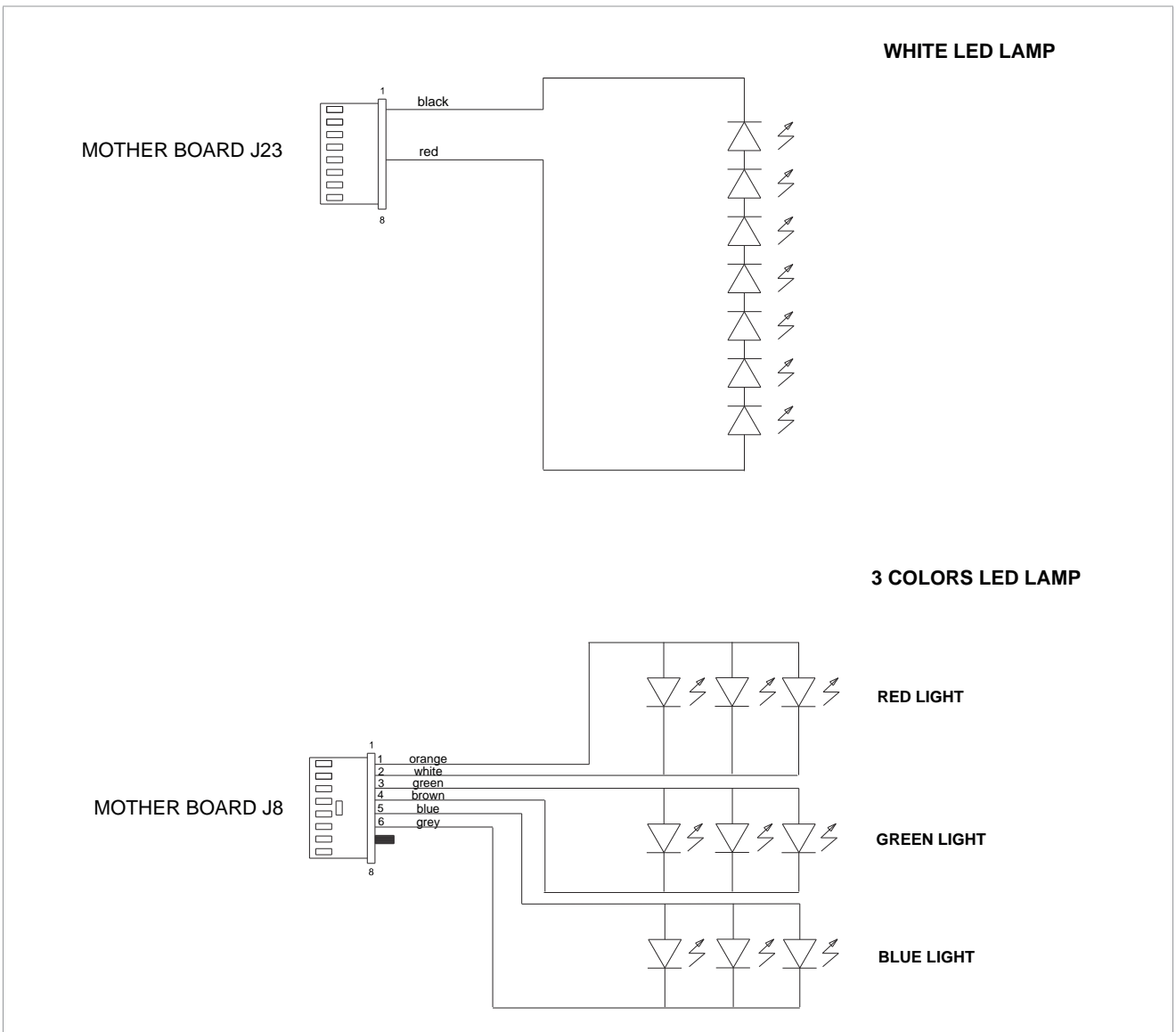
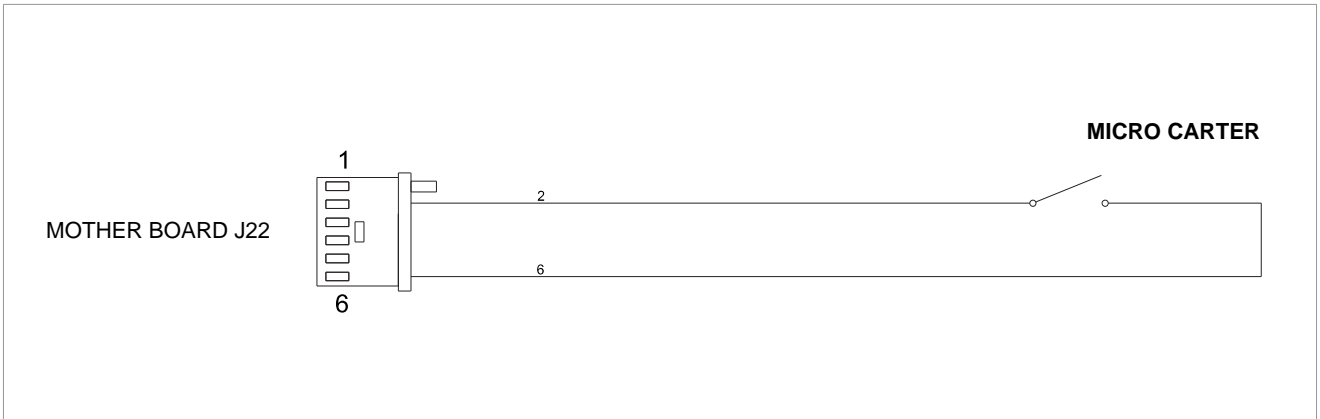
10.1 HOW TO REQUEST SERVICE

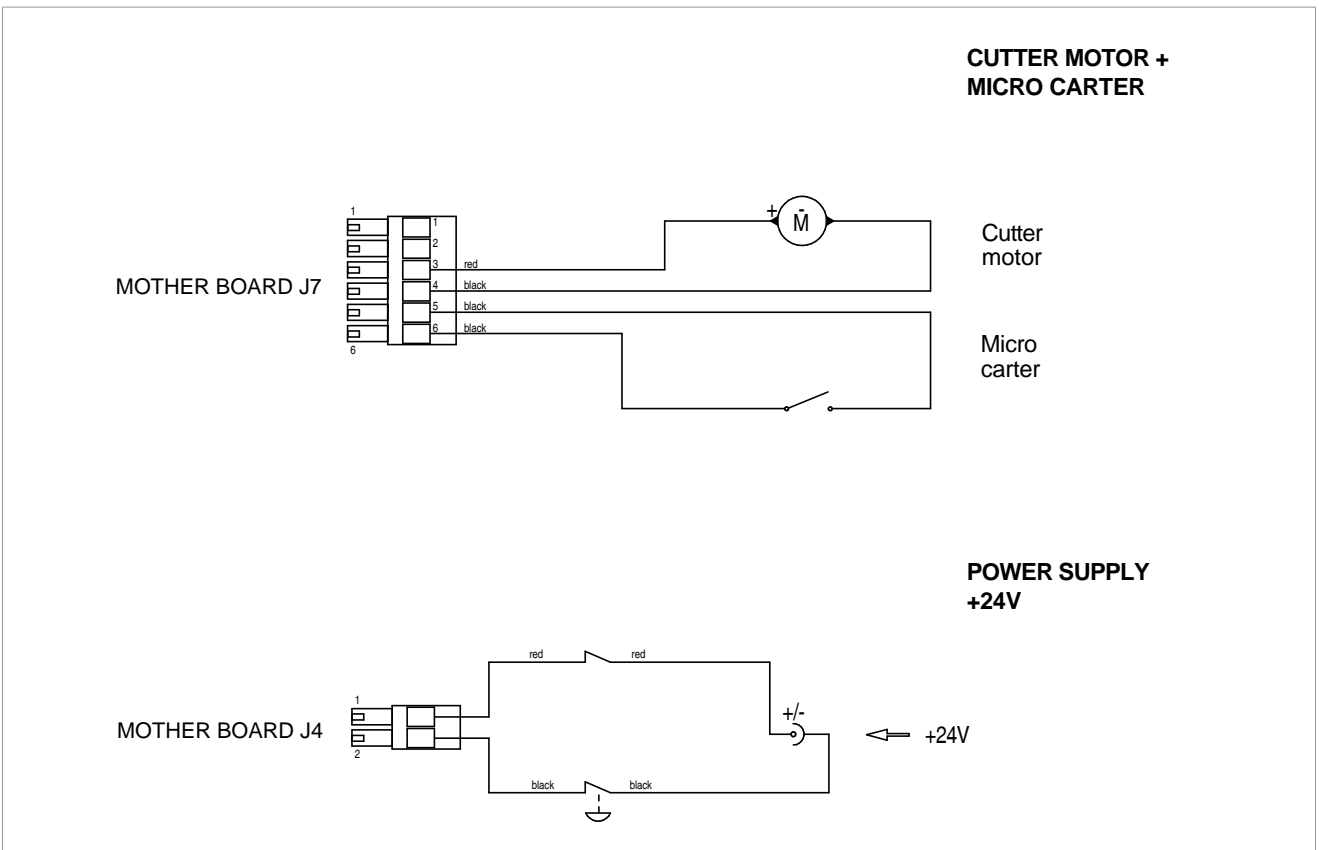
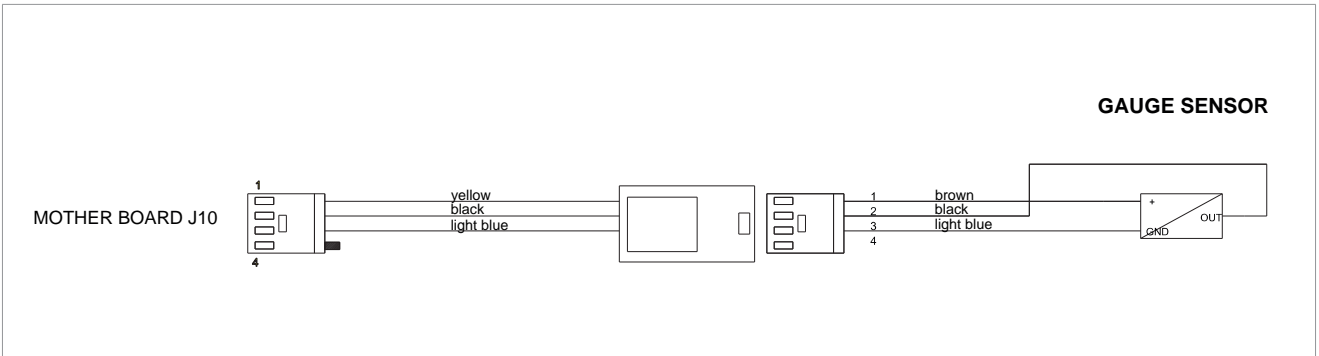
The guarantee attached to the key-cutting machines ensures free repairs or replacements of faulty parts within 24 months of purchase. All other service calls must be arranged by the customer with Silca or with a Silca service center.

11 ELECTRICAL DIAGRAMS









	EN	IT	DE	FR	ES	PT	NL
J4	Power feeder +24V	Alimentatore +24V	Speisegerat +24V	Alimentateur +24V	Alimentador +24V	Alimentador +24V	Voedingseenheid +24V
J7	Cutter motor + micro carter	Motore fresa + micro carter	Motor-Fräser + Mikro-Carter	Moteur fraise + micro carter	Motor fresa + micro carter	Motor fresa + micro carter	Freesmotor + cover micro
J8	Led lamp 3 colors	Lampada Led 3 colori	Led Lampe 3 Farben	Lampe Led 3 couleurs	Lámpara Led 3 colores	Lâmpada Led 3 cores	Led lamp 3 kleuren
J9	Optic reader	Lettore ottico	Optischer Leser	Lecteur optique	Lector optico	Leitor optico	Optische lezer
J10	Gauge sensor	Sensore calibro	Lehre-Fühler	Senseur calibre	Detector calibre	Sensor calibre	Gauge sensor
J12	X axis sensor	Sensore asse X	Fuhler X-Achse	Senseur axe X	Detector eje X	Sensor eixo X	X-as sensor
J13	X axis motor	Motore asse X	Motor X-Achse	Moteur axe X	Motor eje X	Motor eixo X	X-as motor
J14	Y axis motor	Motore asse Y	Motor Y-Achse	Moteur axe Y	Motor eje Y	Motor eixo Y	Y-as motor
J15	Y axis sensor	Sensore asse Y	Fuhler Y-Achse	Senseur axe Y	Detector eje Y	Sensor eixo Y	Y-as sensor
J20	not used	non usato	nicht verwendet	non utilisé	no utilizado	não utilizado	niet gebruikt
J21	Keyboard	Tastiera	Tastatur	Clavier	Teclado	Teclado	Toetsenbord
J22	Micro cover	Micro carter	Mikro Carter	Micro carter	Micro carter	Micro carter	Cover micro
J23	White led	Led bianco	Weiße Led	Led blanche	Led blanco	Led branco	Wit led



EU DECLARATION OF MACHINE COMPLIANCE

**SILCA S.p.A. - VIA PODGORA 20 (Z.I.)
31029 VITTORIO VENETO (TV) - (ITALY)
TEL. 0438 9136 - FAX. 0438 913800**

Declares under its own responsibility that the **Key-Cutting Machine** model

POKER PRO

complies with the requirements of the following European Directives:

European Union **DIRECTIVE 2006/42/EC** (Machinery)
European Union **DIRECTIVE 2014/30/EU** (Electromagnetic Compatibility)
European Union **DIRECTIVE 2014/35/EU** (Low Voltage)
European Union **DIRECTIVE 2011/65/EU** (RoHS3)
European Union **DIRECTIVE 2012/19/EU** (WEEE)

| 19 |

and with the following Standards:

EN ISO 12100:2010	EN 55032:2015
EN 55024:2010 + A1:2015	EN 61000-3-3:2013
EN 61000-3-2:2014	EN ISO 13849-2:2012
EN ISO 13849-1:2015	IEC TR 62778:2014
EN 62471:2008	EN 60825-1:2014
EN 62233:2008	
EN 62368-1:2014 + EC 2015 + A11:2017	

Silca S.p.A. R&D Division is authorized to create a Technical File.



VITTORIO VENETO, 27/09/2022

Michele Gazzola, CEO

SILCA S.p.A.
Via Podgora, 20 (Z.I.)
31029 Vittorio Veneto (TV) Italy

A Member of the Kaba Group

Tel. +39 0438 9136 Fax +39 0438 913800 www.silca.it info@silca.it
P. IVA C.F. e Reg. Impr. IT03286730266 REA TV 258111
Cap. Soc. € 10.000.000 i.v. Export TV 038851

Società soggetta a direzione e coordinamento di Kaba Holding AG, con sede in Rümliang (Svizzera), Hofwisenstrasse 24, ai sensi e per gli effetti degli articoli 2497 - 2497sexies del Codice Civile.





UKCA DECLARATION OF MACHINE COMPLIANCE

**SILCA S.p.A. - VIA PODGORA 20 (Z.I.)
31029 VITTORIO VENETO (TV) - (ITALY)
TEL. 0438 9136 - FAX. 0438 913800**

Declares under its own responsibility that the **Key-Cutting Machine** model

POKER PRO

complies with the requirements of the following Statutory Instruments:

Supply of Machinery (Safety) Regulations 2008
Electromagnetic Compatibility Regulations 2016
Electrical Equipment (Safety) Regulations 2016
The Restriction of the Use of Certain Hazardous Substances in Electrical and Electronic Equipment Regulations 2012 (As amended)
The Waste Electrical and Electronic Equipment Regulations 2013 (As amended)

| 19 |

and with the following Standards:

BS EN ISO 12100:2010	BS EN 55032:2015
BS EN 55024:2010 + A1:2015	BS EN 61000-3-3:2013
BS EN 61000-3-2:2014	BS EN ISO 13849-2:2012
BS EN ISO 13849-1:2015	BS IEC TR 62778:2014
BS EN 62471:2008	BS EN 60825-1:2014
BS EN 62233:2008	
BS EN 62368-1:2014 + EC 2015 + A11:2017	

Silca S.p.A. R&D Division is authorized to create a Technical File.

VITTORIO VENETO, 27/09/2022

Michele Gazzola, CEO