



CL400

Front and Back Plates

Front and back plates only for use with existing mortice latch or lock. The existing lock must have a fixing hole 22mm (7/8") below the follower (spindle).



CL410

Mortise Latch

Medium-duty tubular mortice latch locks. Stainless steel latchbolt head with 'anti-shim' deadlocking plunger, 8mm (5/16") follower. The outside lever handle will retract the latch after a correct code is entered. The spring loaded latchbolt will lock automatically when the door is closed.



CL420

Mortise Lock

Euro profile mortice sash lock with deadbolt and latchbolt. Complete with double cylinder to control deadbolt and to retract latchbolt. With the deadbolt locked it denies access to a code user. The split follower enables the inside lever to retract the deadbolt and latch to prevent accidental lock in when the deadbolt is thrown. Supplied with double Euro profile cylinders with three keys. The key will open the door for management functions.



Code Change Method

Requires removal of lock from door. Locks are supplied with a random code commencing with the 'C' clear button. To change the code after fitting, the lock must first be removed from the door. The code is non sequential, i.e. the code can be entered in any preferred order (e.g. 1234 can be 4321 or 1342). A total of 8,191 different codes are available - any of which can be entered in any order.

OPTIONS

Latch Options:

60mm (2 3/8") backset requires 25mm (1") hole, 82mm (3 1/4") deep.
70mm (2 3/4") backset requires 25mm (1") hole, 92mm (3 5/8") deep.

Back to Back Option (BB):

Two coded plates for installation on both sides of the door. Provides coded access in both directions.

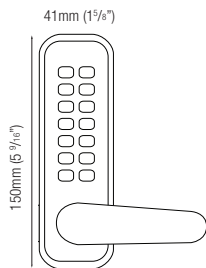
Code Free Option:

The outside lever will retract the latchbolt without using a code.

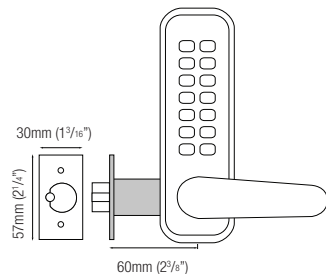
For further product model options see price list.

PRODUCT DIMENSIONS

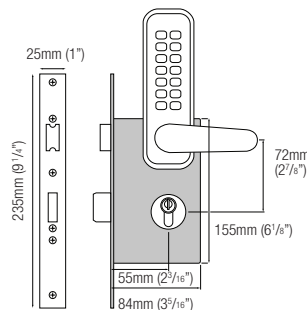
CL400



CL410



CL420



TECHNICAL SPECIFICATIONS

| | |
|-----------------|--|
| Options | Seven available |
| Spindle Type | Two part 8mm (5/16") spring loaded spindle |
| Material | Zinc Alloy |
| Door Thickness | 35mm - 60mm (1 3/8" - 2 3/8") |
| Buttons | 14 stainless steel buttons |
| Non Handed | Locks will fit doors hung on the left or right |
| Fitting Options | Vertical |
| Finish | PVD (Physical Vapour Deposition) hardwearing low maintenance finishes SS (stainless steel) and PB (polished brass) |
| Codes | 8,191 non sequential codes available |
| Code Storage | Single Code |
| Standards | Codelocks Fire Kit Packs can be fitted to latch locks for 30 or 60 minute fire doors. Tested in accordance with: BS EN 1634-1:2008 |
| Suitable For | Internal and external use |

*Codelocks mechanical locks will be repaired, serviced or replaced free of charge if they develop a manufacturing fault. Faults caused by misuse, abuse and/or poor fitting are not covered by the guarantees.

