

## Removing and replacing a Winkhaus Multi-point Gear box.

To carry out the gearbox replacement the following are required:

- Cross head screwdriver
- Flat head screwdriver
- Torx T-15
- Small hammer



**Winkhaus Gearbox removal kit Part Number 4940816** Comprising:

- 1 x 1405472 Riveting pliers
- 1 x 4940817 3mm Parallel Pin punch
- 40 x 2241553 Rivets
- 20 x 1423865 M4x8 side screw



**Before ordering the replacement gearbox you will need to know:**

1. The handing of the door lock.
2. The backset.
3. The operation type:
  - Lever Lever Inside and outside handles work together (Blue on white label)
  - Split spindle Inside and outside handles work independently (Green on white label)
  - Key Operated Lock only works off the key (Red on white label)

### Replacement Gearbox

Replacement gearbox part numbers			
	35mm Backset	45mm Backset	55mm Backset
Lever / Lever	4941729	1733231	4941732
Split Follower	4941733	4941734	4941735
Key Operated	N/A	4988538	N/A

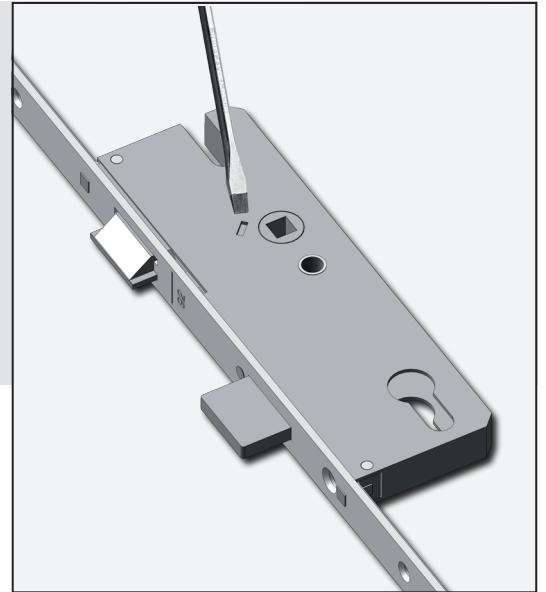
**Before fitting the replacement gearbox check the following:**

Handing	Is the latch ramp in the same position?
Backset	Is the new gearbox the same backset?
Operation type	Does the new gearbox operate the same?

If the gear box is a split spindle type check that the inside and outside operation is the same as the original.

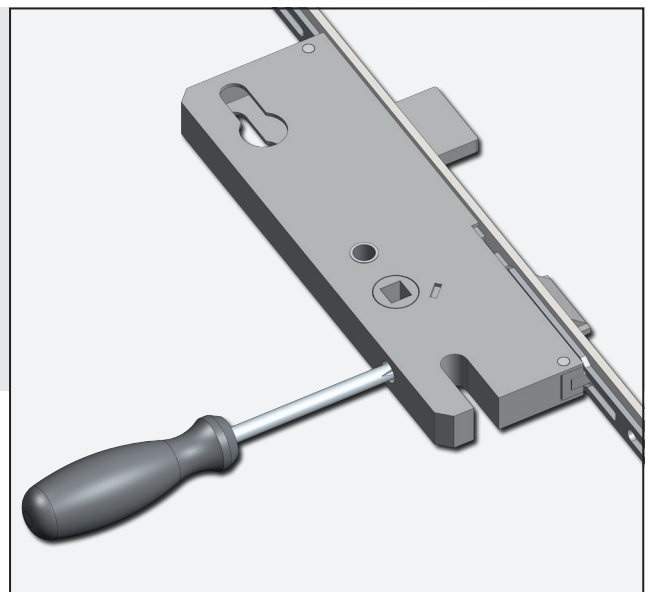
**To change the operation of a split spindle gearbox:**

- There is a small black split-pin within the casing, positioned on the latch retracting side of the gearbox. Using a suitable blunt flat bladed screwdriver (7mm x 2mm), carefully push the split pin through to the opposite side of the plate.



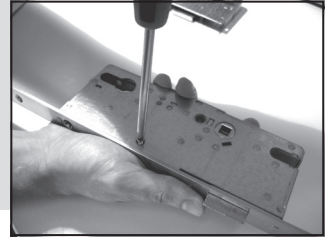
**To change the hand of the latch bolt if required:**

- Untighten the latch retaining screw which is found at the rear of the gearbox.
- The latch can now be pulled past the faceplate, turned 180 degrees and released. The spring loaded latch will be pulled back into position.
- Retighten the latch retaining screw.




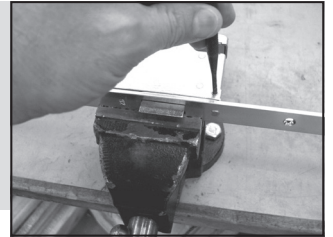
### Procedure for removing and fitting the replacement gearbox:

- Remove existing gear box by removing screw

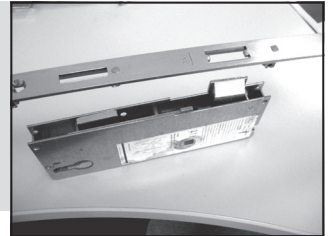


- Place the lock on a firm surface and allow approximately 10mm of the gearbox to overhang this surface, then using the 3mm (max) parallel pin punch and hammer, remove the two rivets.

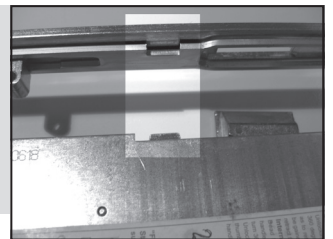
 ***It is essential to support the gearbox and leave clearance for the rivet to come out***



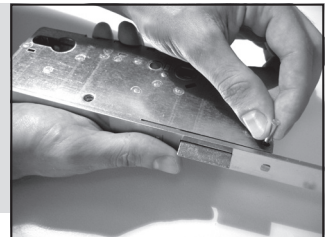
- The gear box should then be free to remove.



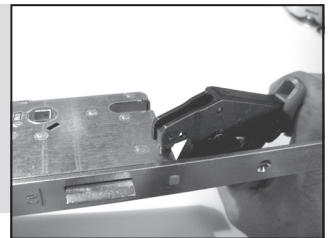
- Carefully offer up to the lock rail the new gear box, making sure that the dead bolt enters into its aperture correctly, and also that the gear box drive tab also marries up with its associated slot in the lock drive strip, (if not ensure that the hooks are in the retracted position, and realign gear box).



- Holding the two components mated together and insert the two rivets fully.



- Rivet using the riveting tool.



- Replace the gear box side screw.
- Finally, check the entire operation of the lock before assembling it back into the door set.

