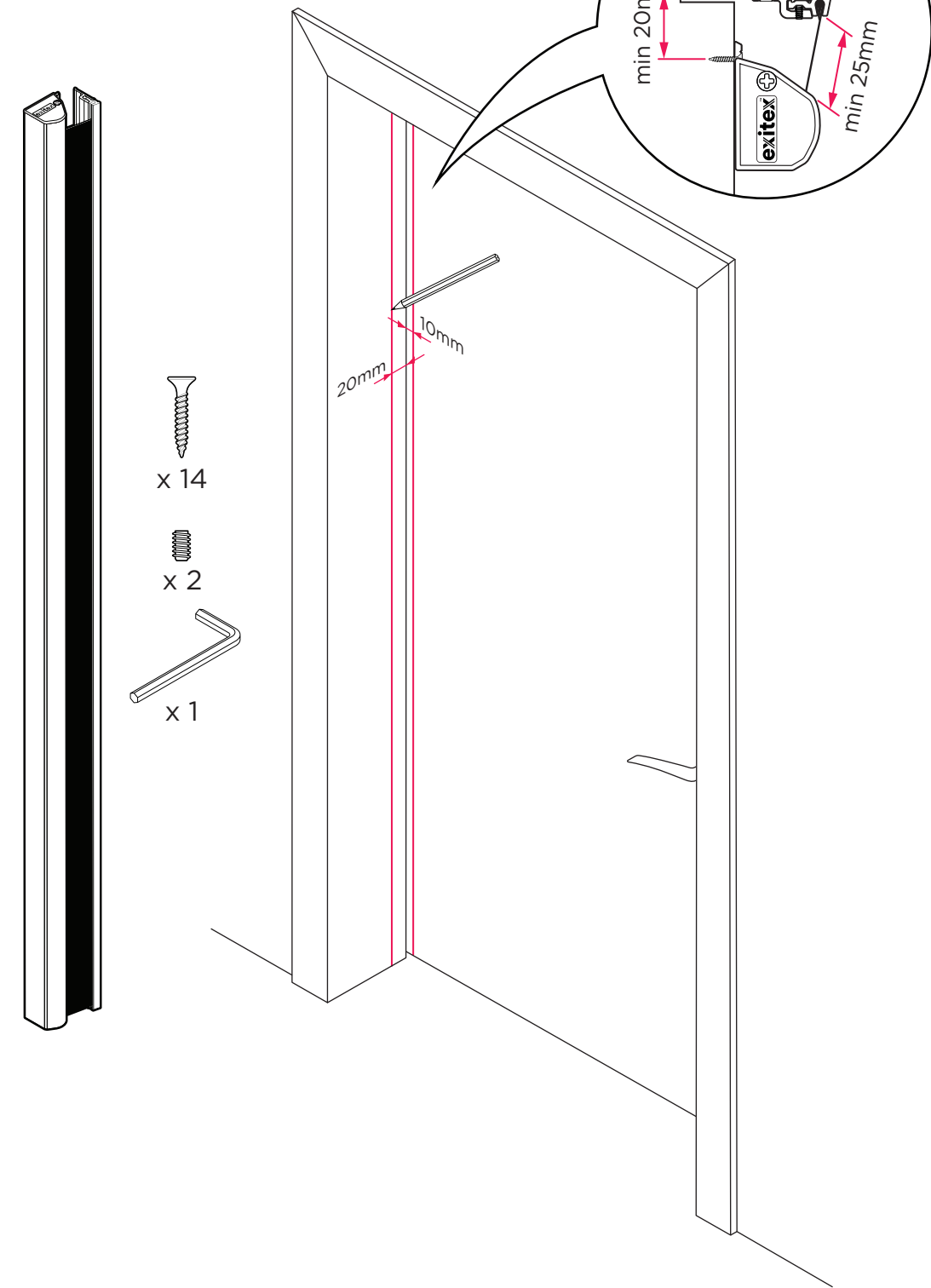
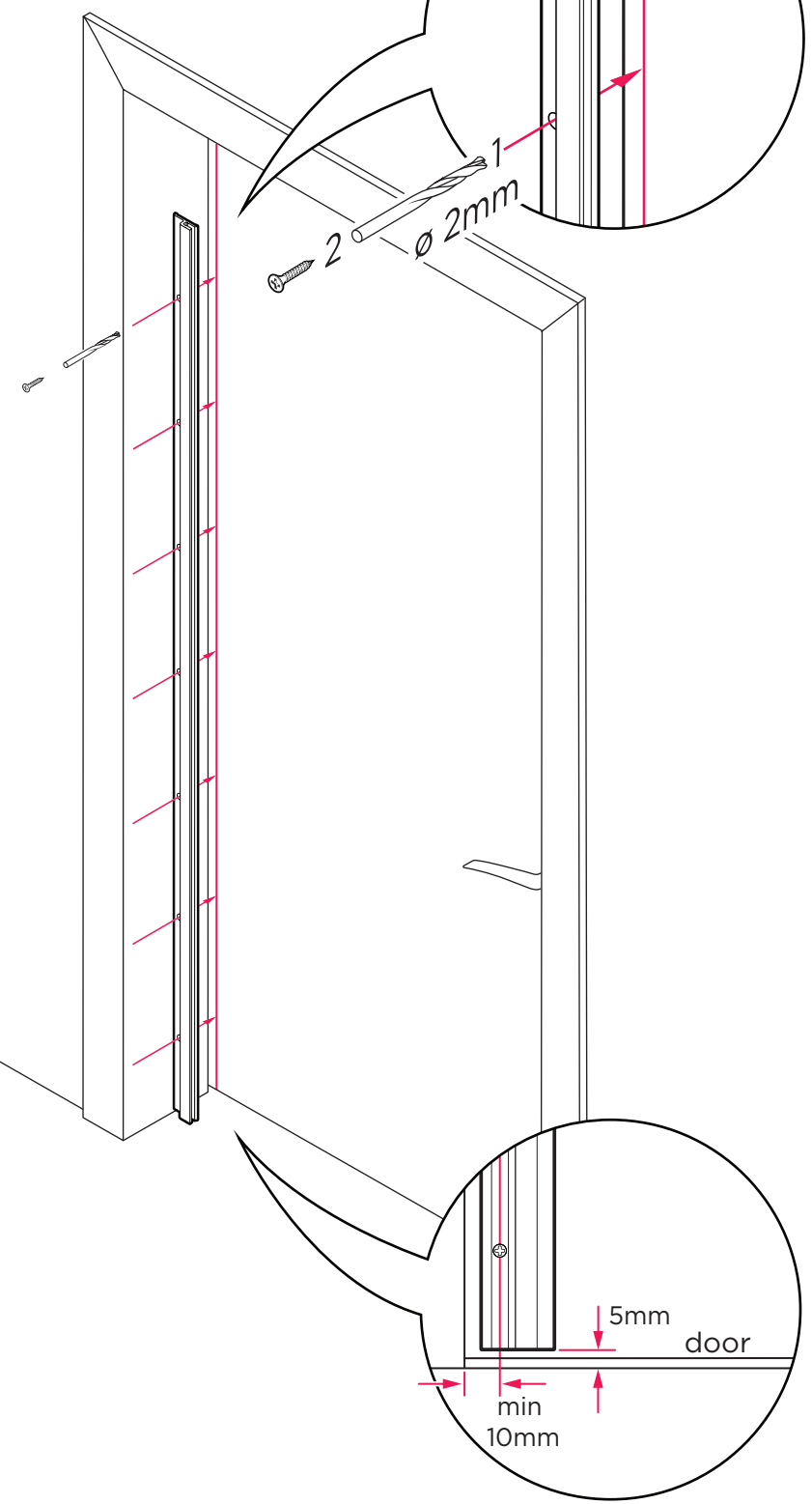


Roller Finger Guard

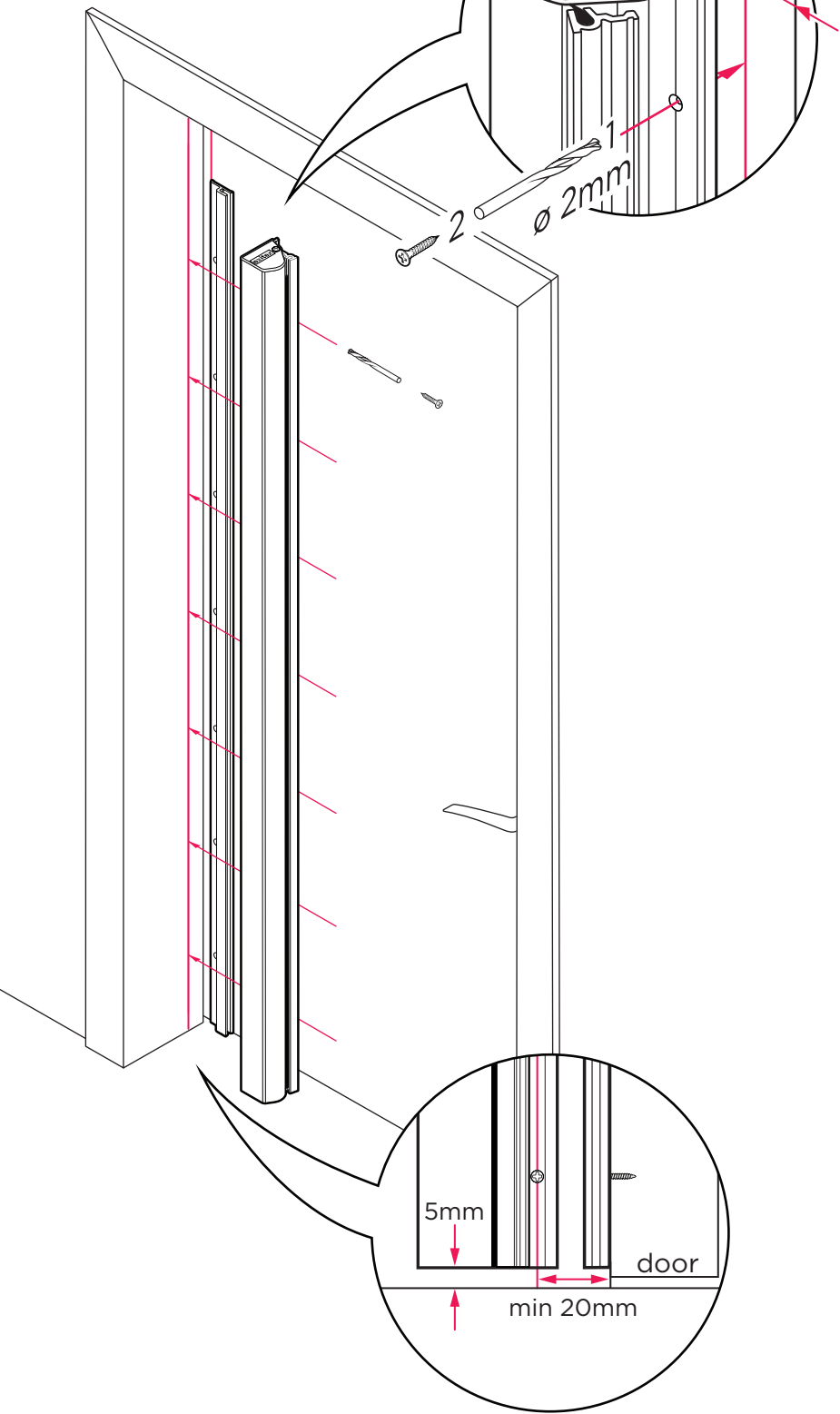
STEP 1



STEP 2



STEP 3



STEP 4

