

F and K Balances



Features

- UK Manufactured at our dedicated facility in the Midlands
- F and K weight carrying ranges (8lbs - 113.9lbs)
- Suitable for PVCu, timber and aluminium windows
- Stainless Steel Spiral Rods
- Dual Tension Springs with a semi-flexible outer tube
- Delivered pre-tensioned for ease of fabrication
- All balances can be adjusted with a screwdriver for easy on site adjustment
- PAS 24 and Secured by Design compliant hardware for enhance security option.
- Confidently supported by the ERA Total Security Guarantee

Maintaining the equilibrium

The combination of stainless steel spiral rod torsion and tension springs produces a self contained balancing device capable of maintaining the equilibrium of a sash window at any point in the travel of the sash.

F and K balances are general purpose balances for domestic and commercial applications. F type balances have a weight carrying capacity of up to 27.2kgs (60lbs), and are all fitted with a plastic colour plug, which refers to their weight range of sash.

K balances have weight carrying capacity of up to 51.7kgs (113.9lbs), the K balance range are all fitted with a natural plastic plug. all outer tubes are printed with the balances length and weight range.

Balances are supplied pre-tensioned, reducing the need for adjustment on site. However, fine adjustment on can be made "on site" if required using a screwdriver or Allen key.

Twin springs provide assisted lift and smooth, easy operation and are particularly recommended for retirement homes, hospitals or nursing homes as the dual action of the torsion and tension springs work to give assisted lift thus making the operation easier even with heavier installations.

Outer tubes are supplied white as standard brown, grey, black, cream and tan are available on request.

Hardware and Accessories

ERA also offer a range of hardware and accessories to compliment the balance range including Cam Locks, High Security Cam Locks, Sash Eyes, Guide Catches, Bow Handles, Sash Knobs and Tilt Restrictors.

F and K Balances

TrueGlide Balances

Technical Specification

F Balance

Tube Diameter	17mm
Groove Dimension	18mm

K Balance

Tube Diameter	19mm
Groove Dimension	21.5mm

Part Numbers

F0	16	-	14	W
↑	↑		↑	↑
Denotes type of balance (e.g. F0, F1, K)	Weight of sash in lbs (e.g. 45lbs)		Tube length in inches (e.g. 16 inches)	Tube Colour (e.g. White)

F and K balances are pre-tensioned and therefore should be the correct weight for the sash provided the information supplied was correct. The 'F' and 'K' balances should not need adjusting but if they do adjust according to the installations instructions. For Tube Colour - W=White, B=Black, R=Brown, G=Grey, C=Cream, T= Tan.

Sash Weight Range

Type	Sash Weight Range
F Balance	3.6kgs (8lbs) - 27.2kgs (60lbs)
K Balance	6.8kgs (15lbs) - 51.7kgs (113.9lbs)

Sash Weight Range

F Balance Range

Plug Colour	Weight Range (lbs)	Weight Range (Kgs)
Grey (F008)	8 - 14	3.6 - 6.3
Claret (F016)	14 - 21.9	6.3 - 9.9
Yellow (F024)	21.9 - 29.9	9.9 - 13.6
Black (F032)	29.9 - 36.9	13.6 - 16.7
Natural (F039)	36.9 - 43.9	16.7 - 19.9
Orange (F146)	43.9 - 48.9	19.9 - 22.2
Green (F151)	48.9 - 53.9	22.2 - 24.4
Blue (F156)	53.9 - 60	24.4 - 27.2

K Balance Range

Balance Ref	Weight Range (lbs)	Weight Range (Kgs)
K015	15 - 18.8	6.8 - 8.6
K020	18.8 - 23.9	8.6 - 10.8
K025	23.9 - 28.9	10.8 - 13.1
K030	28.9 - 34	13.1 - 15.4
K035	34 - 39	15.4 - 17.6
K040	39 - 43.9	17.6 - 19.9
K045	43.9 - 48.9	19.9 - 22.2
K050	48.9 - 53.9	22.2 - 24.4
K055	53.9 - 59	24.4 - 26.7
K060	59 - 63.9	26.7 - 29
K065	63.9 - 68.9	29 - 31.2
K070	68.9 - 73.9	31.2 - 33.5
K075	73.9 - 78.9	33.5 - 35.8
K080	78.9 - 84	35.8 - 38.1
K085	84 - 88.9	38.1 - 40.3
K090	88.9 - 93.9	40.3 - 42.6
K095	93.9 - 98.9	42.6 - 44.9
K100	98.9 - 103.9	44.9 - 47.1
K105	103.9 - 109	47.1 - 49.4
K110	109 - 113.9	49.4 - 51.7

Maintenance

Depending upon location, cleaning and lubrication of the spiral rod may be desirable after a length of time, the period of which will vary according to site circumstances. A few drops of light oil applied to the spiral rod will always improve the operating action of a balance after long service.

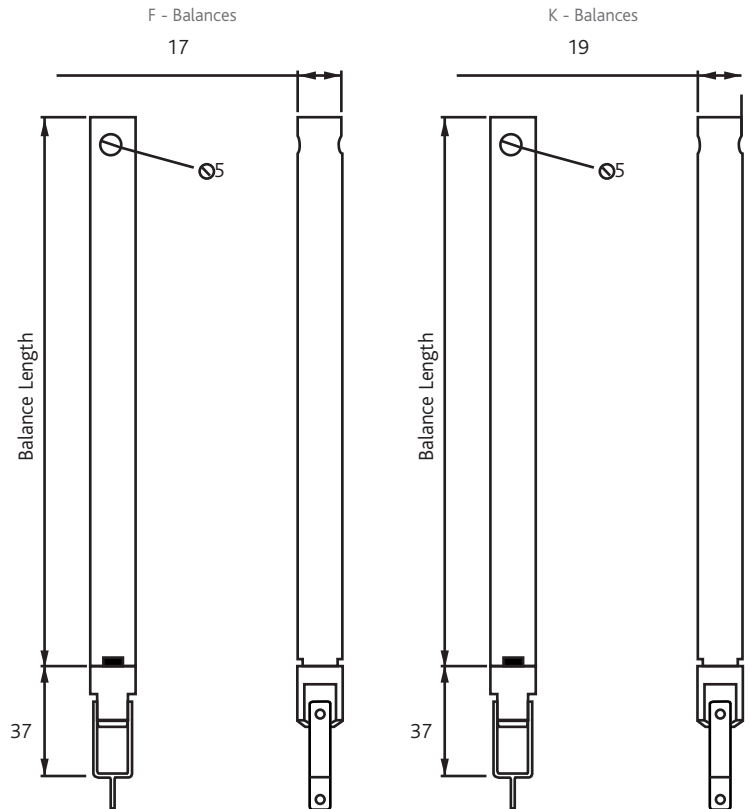


Diagram not to scale.

All dimensions are in mm and are nominal.

ERA reserves the right to change specification without notice. It is the responsibility of the window manufacturer to ensure that the finished product meets any required safety and performance specification.

Applications

A pair of balances is required for each sash. The balance is housed in a groove in either the outer frame jamb, or alternatively in the sliding sash stile.

These grooves should be true and completely smooth. The top of the balance is screwed to the jamb and the sash attachment at the "lower end" is screwed to the bottom rail of the sash. Where the upper sashes have horns, a channel type fitting is screwed to the side of the horn and subsequently the balance attachment is slotted into the channel.

All balances have semi flexible tubes which enable the balance to be slightly bowed during installation. This can be vital in the replacement situation.

Notes:

All standard VS windows without horns have standard feet attached, notification must be given when side fixing horn channels are required for both sides.