

### Application

A simple and efficient patented system for installing a pocket sliding door within a metal or timber stud wall. Suitable for all residential applications where space for hinged doors may be restricted.

The Universal kit is easily adaptable on site to suit a large range of door widths and heights and is available for single or double doors.

**Maximum panel weight - 80kg**

**Maximum panel width - 2 x 926mm (leaf width)**

**Maximum panel height - 2040mm (leaf height)**

### SPECIFICATION

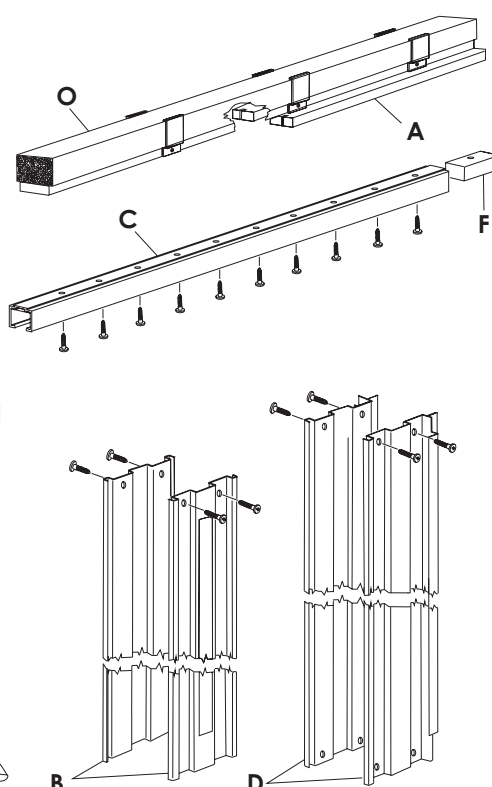
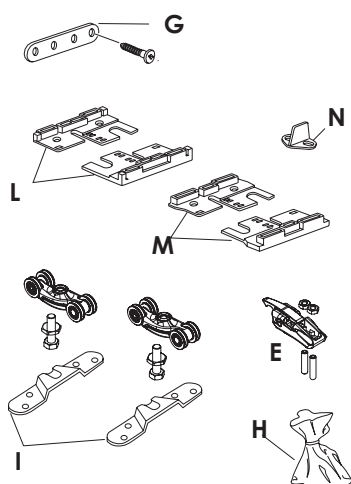
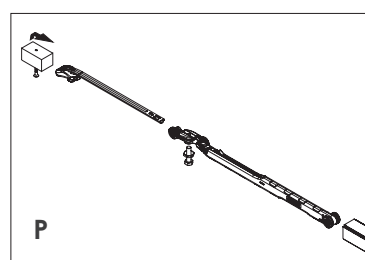
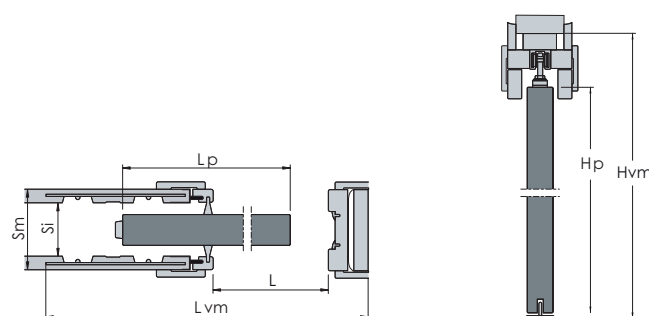
- U-shaped aluminium track for high stability
- Roller body in Zamak and Delrin wheels with ground and shielded bearings
- Slide mechanism tested in accordance with EN 1527
- Built-in adjustable stops
- Optional Soft Close kit available

### CERTIFICATED QUALITY

- Galvanised steel vertical profiles with 200gr/m<sup>2</sup> total anti-corrosive protection

Door/panel size Width [Lp] x Height [Hp]	Wall opening size Width [Lvm] x Height [Hvm]
(2 x) 626 x 1981mm	2505 x 2068mm
(2 x) 626 x 2032mm	2505 x 2121mm
(2 x) 626 x 2040mm	2505 x 2131mm
(2 x) 726 x 1981mm	2905 x 2068mm
(2 x) 726 x 2032mm	2905 x 2121mm
(2 x) 726 x 2040mm	2905 x 2131mm
(2 x) 826 x 1981mm	3305 x 2068mm
(2 x) 826 x 2032mm	3305 x 2121mm
(2 x) 826 x 2040mm	3305 x 2131mm
(2 x) 926 x 1981mm	3705 x 2068mm
(2 x) 926 x 2032mm	3705 x 2121mm
(2 x) 926 x 2040mm	3705 x 2131mm

Finished wall size [Sm]	Internal size [Si]	Max. door thickness [Sp]	Max. door weight
100mm	52mm	44mm	80kg



### Contents

- A** Black laminated wooden beam
- B** Rear vertical profiles (x2)
- C** Black anodised track
- D** Front vertical profiles (x2)
- E** Adjustable stop
- F** Timber spacer
- G** Joining plate for double door
- H** Fixing pack
- I** Rollers with adjustable clamps (80kg capacity)
- L** Back spacer
- M** Front spacer
- N** Lower door guide
- O** Polystyrene packer
- P** Optional Soft Close kit

### Installation

The **Pocket Slide 80** comes with fully detailed installation instructions and can be carried out by one person using only basic tools.

An installation video is available to download at:

<https://youtu.be/UJbzMr1BUqE>

Art No.	Double door kit 1252 - 1852mm width	Order Quantity
PS80-20/1	Double door kit 626 - 926mm (w) x 2040mm (h)	2
PS80SCK	Optional soft close accessory	2
PS80-SYNK	Door kit for synchronised double door	1

