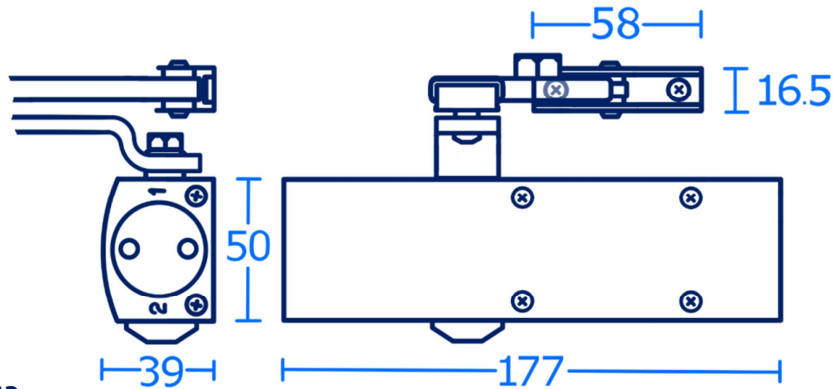


TS 1500



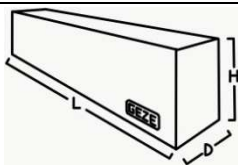
Technical Data

Maximum leaf width 950mm

Minimum leaf width

Fig. 1/61 280mm

Fig. 6 425mm



Body dimensions

Length 177mm

Height 50mm

Depth 39mm

Adjustments

Closing force EN3

Closing speed via Valve

Latch action via Valve

Back check ✘

Delayed action ✘

Hold open facility Mechanical hold open arm available, 70-150° (not suitable for fire doors)

Fire door suitability Certifire approved on CF144

Standards & certificates

EN 1154
EN 1634-1
CE marked

More product features:

- Non-handed
- Highly efficient (>70%) rack & pinion mechanism
- Thermo-constant nylon valves
- For internal doors
- Guide rail option available (see data sheet TS 1500 G)
- A range of covers and finishes



All dimensions shown in millimetres. Drawings are not to scale.

GEZE UK | Blenheim Way | Fradley Park | Lichfield | Staffordshire | WS13 8SY | TEL: 01543443000 | E-Mail: info.uk@geze.com