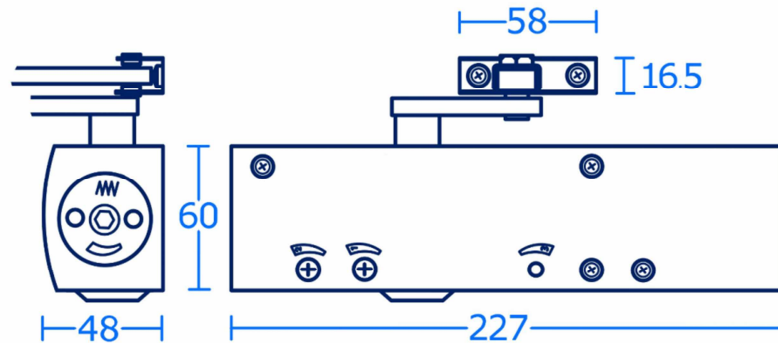


TS 2000 NV



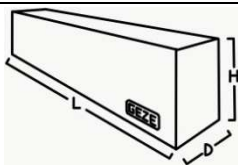
Technical Data

Maximum leaf width 1100mm

Fig. 1/61 350mm

Minimum leaf width

Fig. 6 530mm



Body dimensions

Length 227mm

Height 60mm

Depth 48mm

Adjustments

Closing force EN 2-4 via Valve

Closing speed via Valve

Latch action via Valve

Back check

Delayed action

Hold open facility Mechanical hold open arm available, 70-150° (not suitable for fire doors)

Fire door suitability Certifire approved on CF 252

Standards & certificates EN 1154
EN 1634-1
CE marked

More product features:

- Non-handed
- Highly efficient (>70%) rack & pinion mechanism
- Universal fixing application
- Thermo-constant nylon valves
- Extended arm available for deeper reveals
- Accessories available to accommodate push side door mounting
- Engageable/disengageable hold open arms available
- Adjustable hydraulic backcheck version available (see data sheet TS 2000 NV BC)
- A range of covers and finishes



All dimensions shown in millimetres. Drawings are not to scale.

GEZE UK | Blenheim Way | Fradley Park | Lichfield | Staffordshire | WS13 8SY | TEL: 01543443000 | E-Mail: info.uk@geze.com