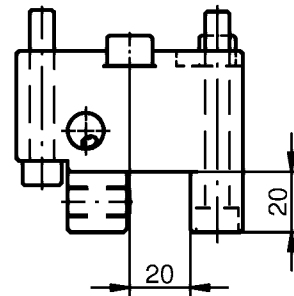
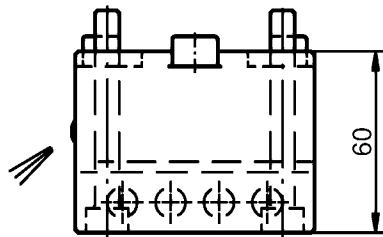
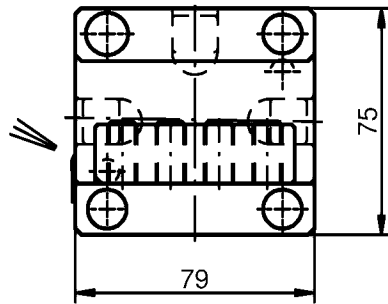
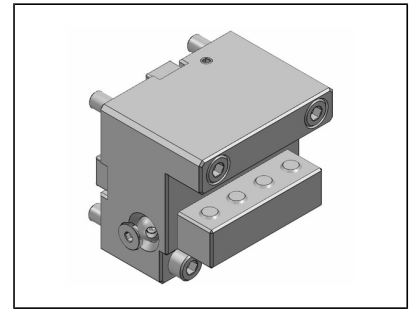


Face cutting holder
180° reversible



Item No.	Tool Clamping				
48-109148	20				

Accessories
(not included)