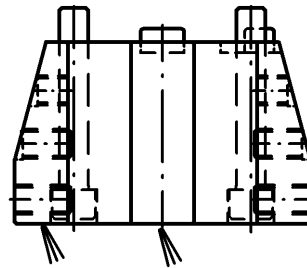
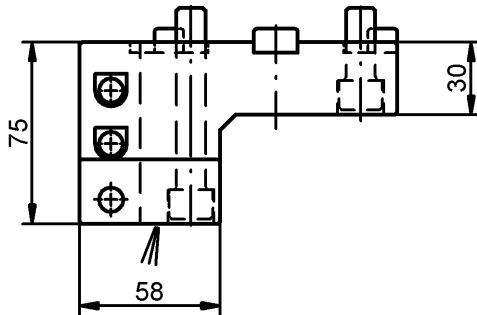
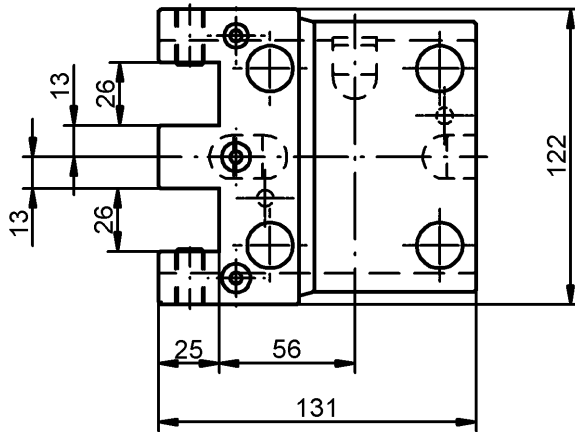
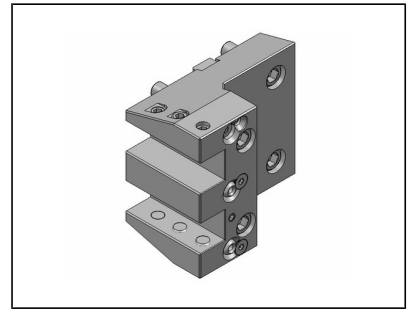


OD cutting holder, double, Y axis
180° reversable head



Item No.		Tool Clamping				
48-86103		25(1")				

Accessories
(not included)