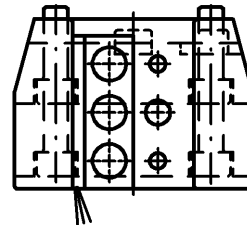
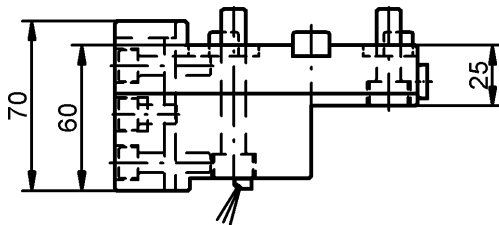
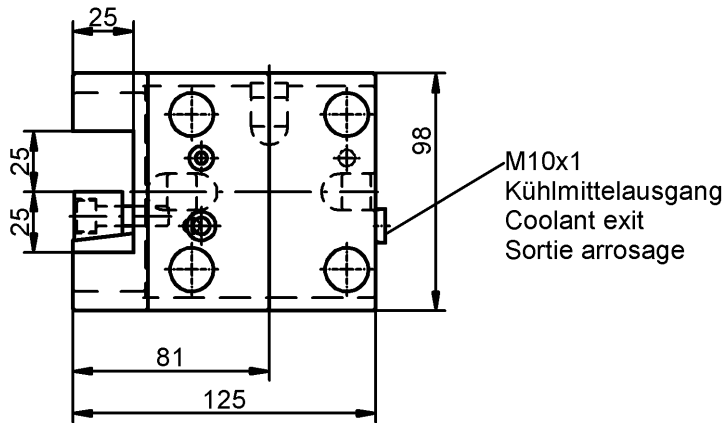
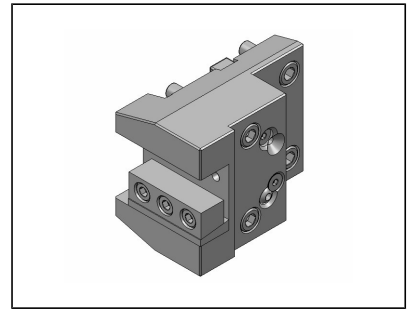


OD cutting holder  
180° reversible



Item No.	Tool Clamping				
<b>48-87097</b>	25				

Accessories  
(not included)