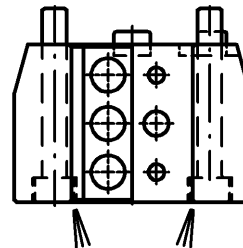
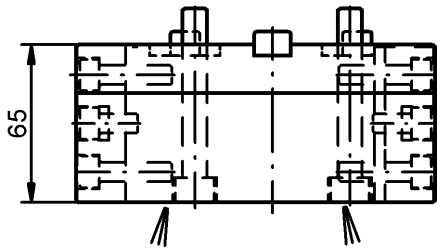
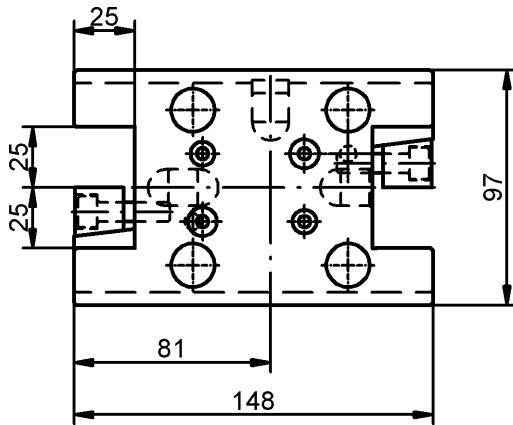
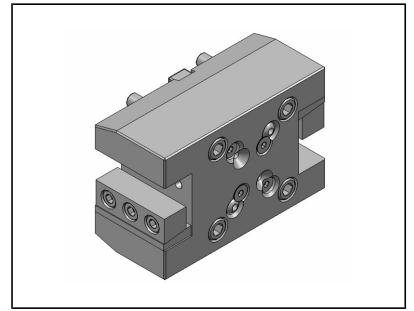


OD cutting holder, both sides



Item No.		Tool Clamping				
48-87099		25				

Accessories
(not included)