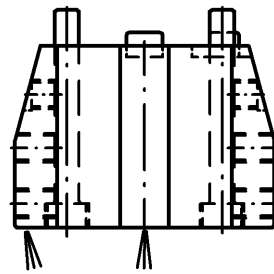
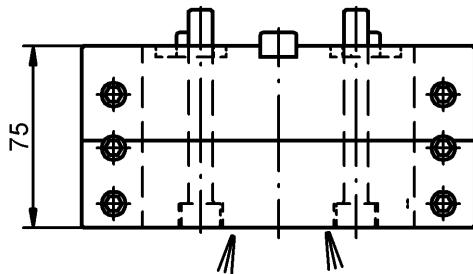
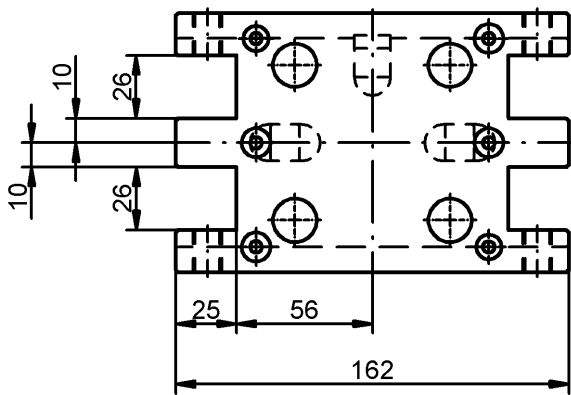
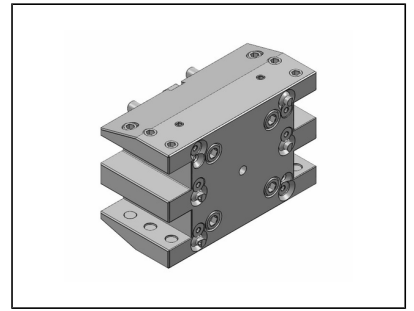


OD cutting holder, both sides, double, Y axis



Item No.		Tool Clamping			
<b>48-87141</b>		25(1")			

Accessories  
(not included)