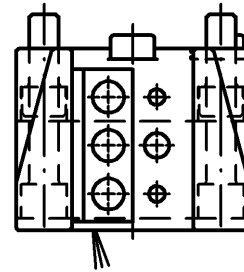
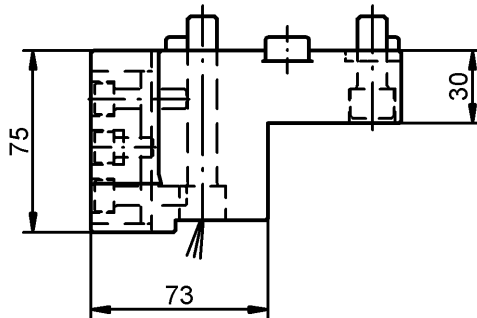
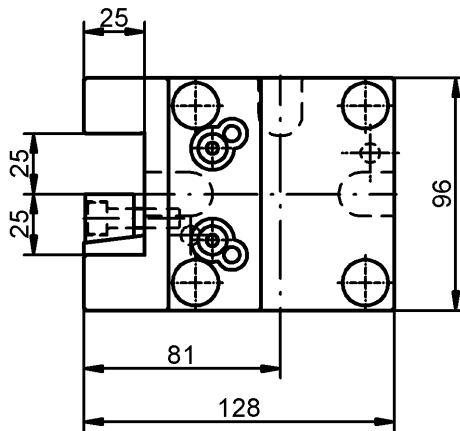
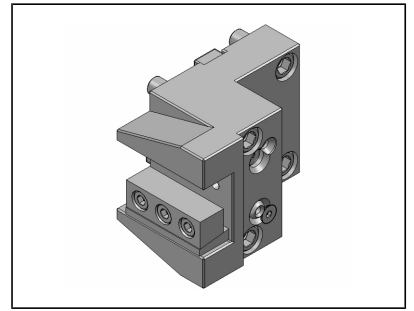


OD cutting holder
180° reversible



Item No.	Tool Clamping				
48-92428	25				

Accessories
(not included)