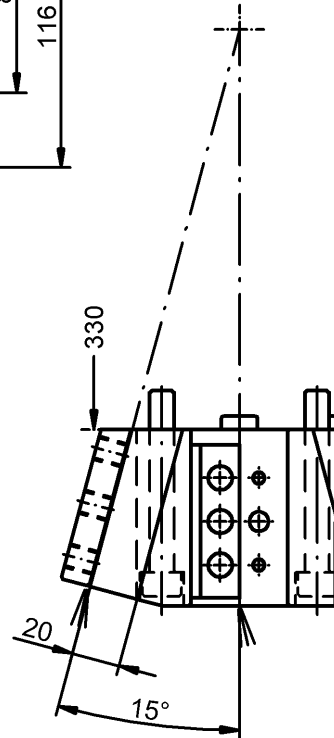
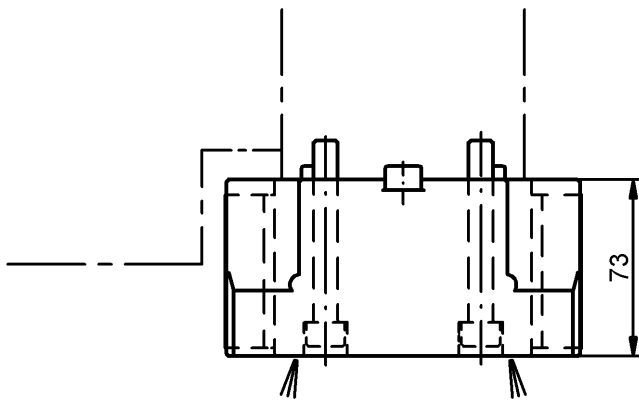
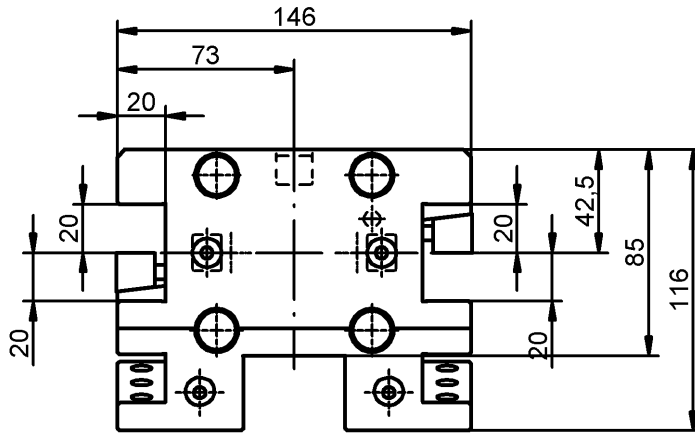
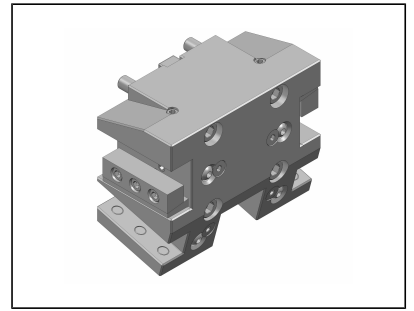


OD cutting holder, both sides, double, 24 station



Item No.		Tool Clamping			
48-92980		20			

Accessories
(not included)