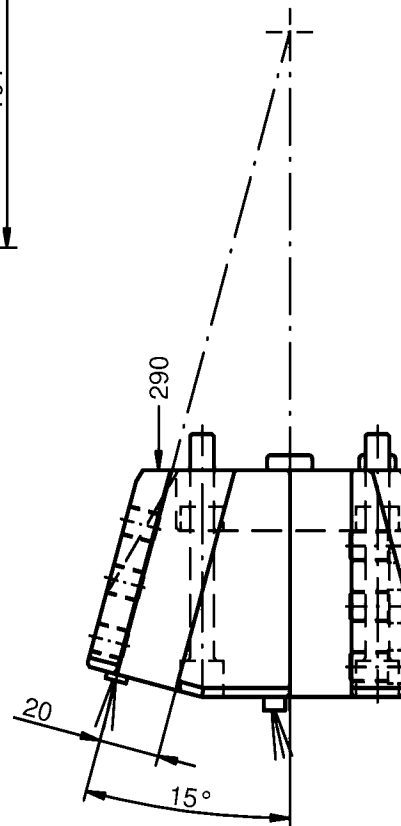
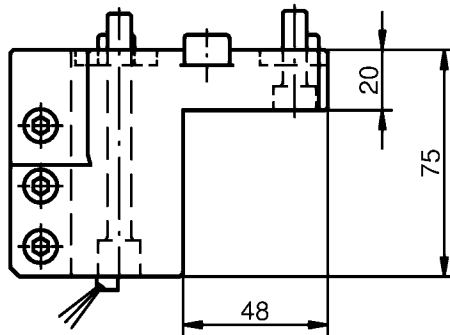
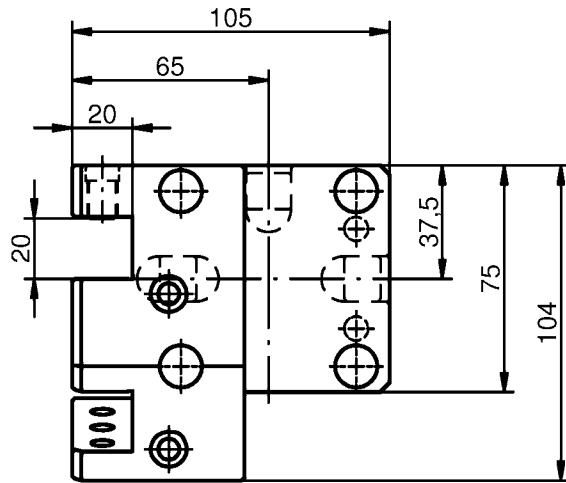
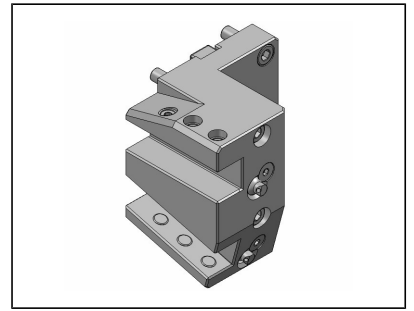


OD cutting holder, double, 24 station



Item No.	Tool Clamping				
48-95087	20				

Accessories
(not included)