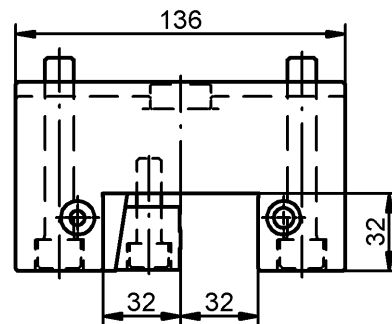
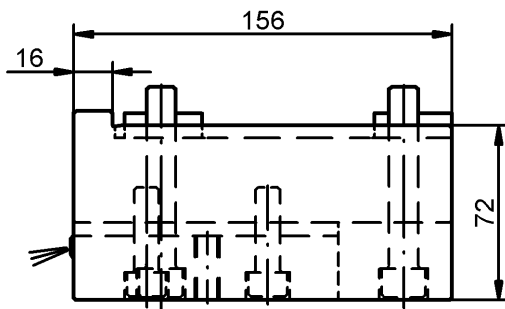
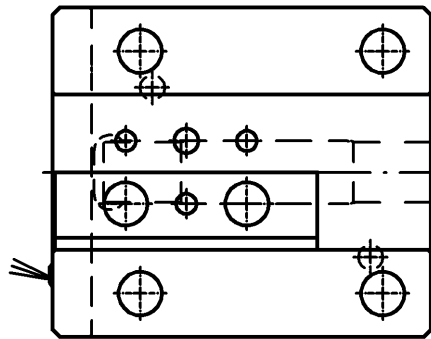
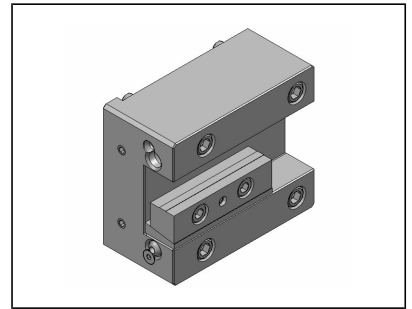


Face cutting holder



| Item No. | Tool Clamping |
|-----------------|---------------|
| 48-95669 | 32 |

Accessories
(not included)