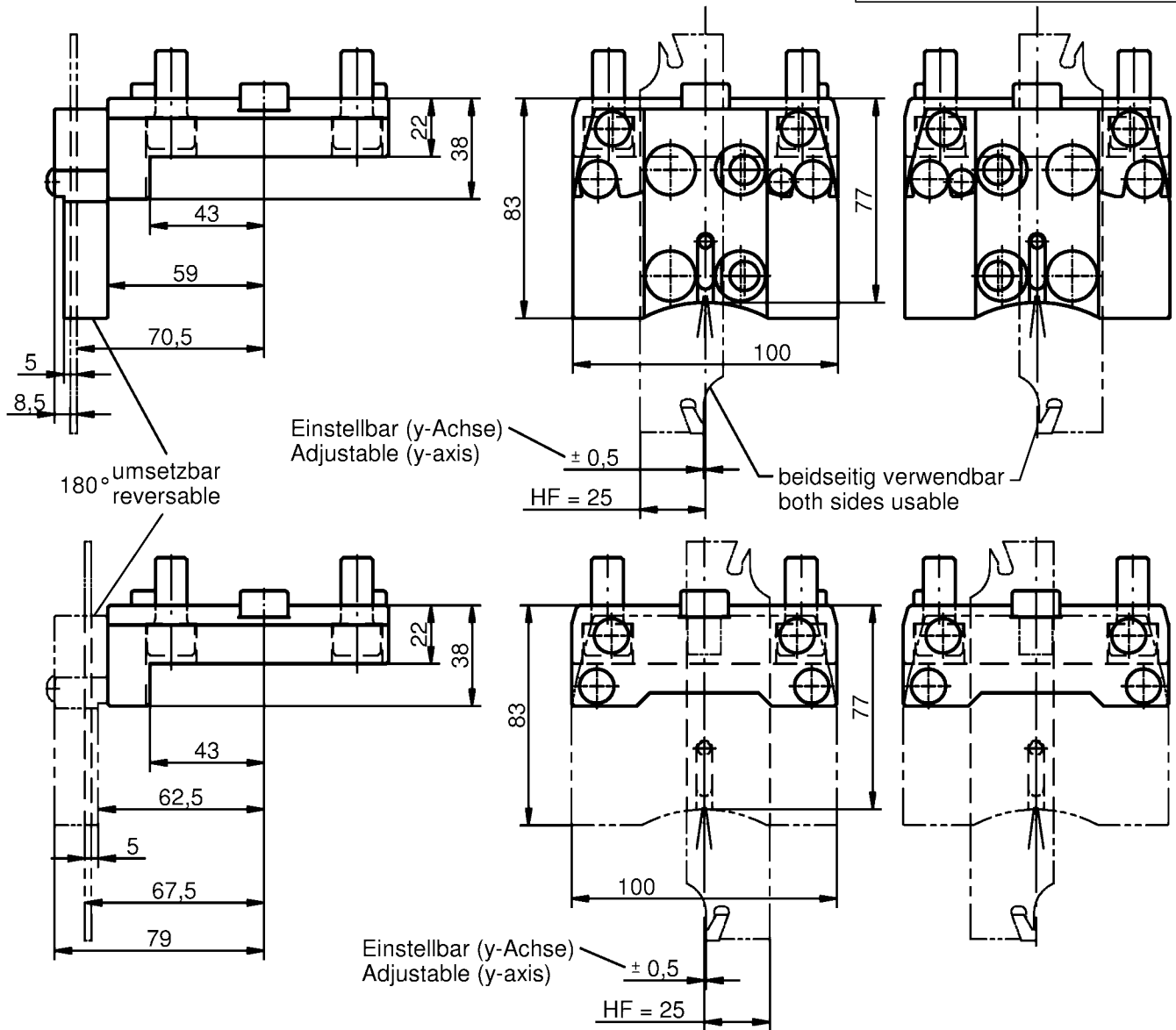
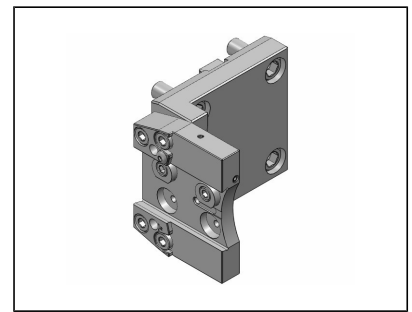


Cut-off holder, adjustable
 External coolant supply
 Parting blade both sides usable
 180° reversible



Item No.	Tool Clamping			
48-99060	SH 32			

Accessories
 (not included)