

A SM2502
Mini Drilling/Milling Machine

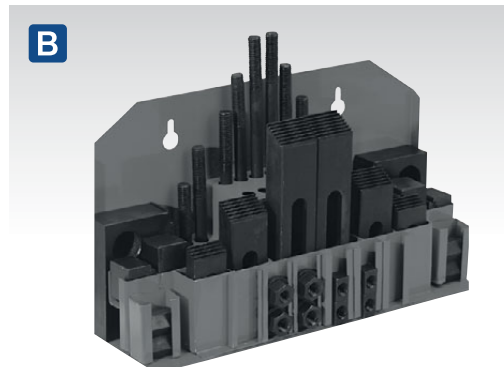
Bench mounting mini drilling/milling machine with the flexibility to handle most materials. Features include a 350W motor, variable speed drive, working table with T-slots to enable clamping of workpieces and Metric graduated compound scales. The machine also incorporates a tilting column which allows drilling/milling of workpiece at $\pm 45^\circ$ from vertical. Supplied with 13mm chuck accessory kit for adjusting and setting. An optional stand is available, order Model No. SM3002ST, see page 1198.

Drilling Capacity (Chuck Size):	13mm
Face Mill Capacity:	30mm
End Mill Capacity:	16mm
Headstock Travel:	180mm
Cross Axis:	100mm
Longitudinal Axis:	220mm
Spindle Tilt Angle:	$\pm 45^\circ$
Spindle Nose Taper:	MT3
Spindle Speed - Low Range:	0-1100rpm
Spindle Speed - High Range:	0-2500rpm
T-Slot:	12mm
Motor Power:	350W
Supply/Plug Type:	230V/3-Pin
Power Supply Cable Length:	2m
Weight:	68kg

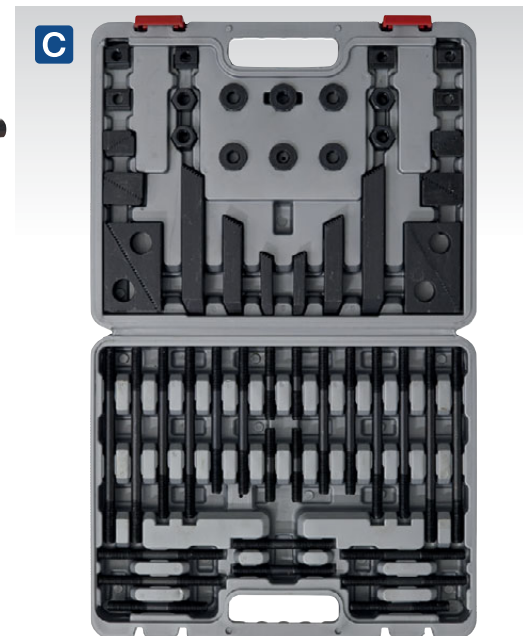

D SM3002
**Metalworking Lathe
300mm Between Centres**

Precision built metalworking lathe, ideal for the small workshop, professional or home engineer and model maker. Powered by a 300W motor this compact unit features variable speed reversible drive and powered cutting facility for right and left-hand threads. Supplied with self-centring 3-jaw chuck, 4-way tool post, swarf tray and rear splash guard. Supplied with emergency stop button and chuck guard. An optional stand is available, order Model No. SM3002ST, see page 1198.

Spindle Speed Range:	100-2500rpm
Distance Between Centres:	300mm
Centre Height:	90mm
Maximum Workpiece Diameter:	$\varnothing 180\text{mm}$
Spindle Bore:	$\varnothing 20\text{mm}$
Spindle Taper:	MT3
Tailstock Taper:	MT2
Lead Screw:	Metric
Dimensions (W x D x H):	800 x 300 x 300mm
Motor Power:	300W
Supply/Plug Type:	230V/3-Pin
Power Supply Cable Length:	2m
Weight:	40kg


B SM2502CK
42pc Clamping Kit

Comprehensive range of T-nuts, screws and clamps suitable for attachment to slots in milling table. Fits Sealey and other popular makes of drilling/milling machines.


C SM25/52T
58pc Clamping Kit

Ensures the firm clamping of most sizes of workpiece whilst drilling and milling. T-Nuts and screws suitable for attachment to slots in drilling/milling table. Fits most popular makes of drilling/milling machines. Kit supplied in a convenient storage case.

