

NPA 53

VARDEX

Since 1960
vargus
NEUMO Ehrenberg Group

METRIC

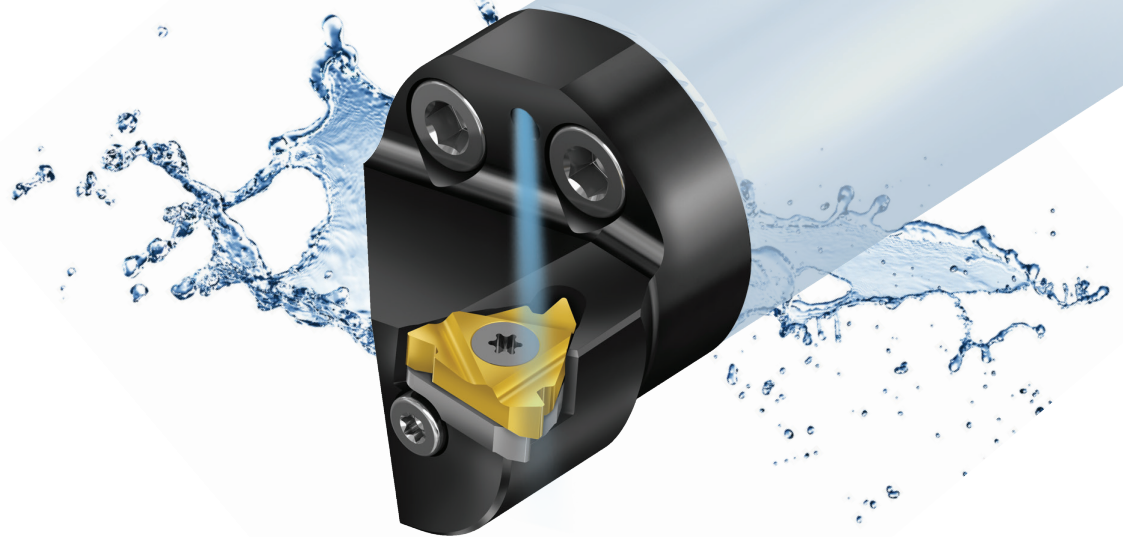
VARDEX NPA 53 METRIC | 12/2020 | Page 1/2

AVAILABLE Q1 2021

SMOOTH CUT SYSTEM

NEW

Modular Toolholder Heads for Anti-Vibration Shanks




Features and Benefits:

- Modular head for anti-vibration system
- Same head can be used with wide range of shanks of different lengths
- Maximum overhang 5xDa (Da - shank diameter)
- Compatible with the most common anti-vibration shanks in the market
- Available for standard insert sizes: IC3/8" (16), 1/2" (22), 5/8" (27)
- Toolholder includes High Pressure Coolant up to 70 bar for better chip evacuation and increased tool life

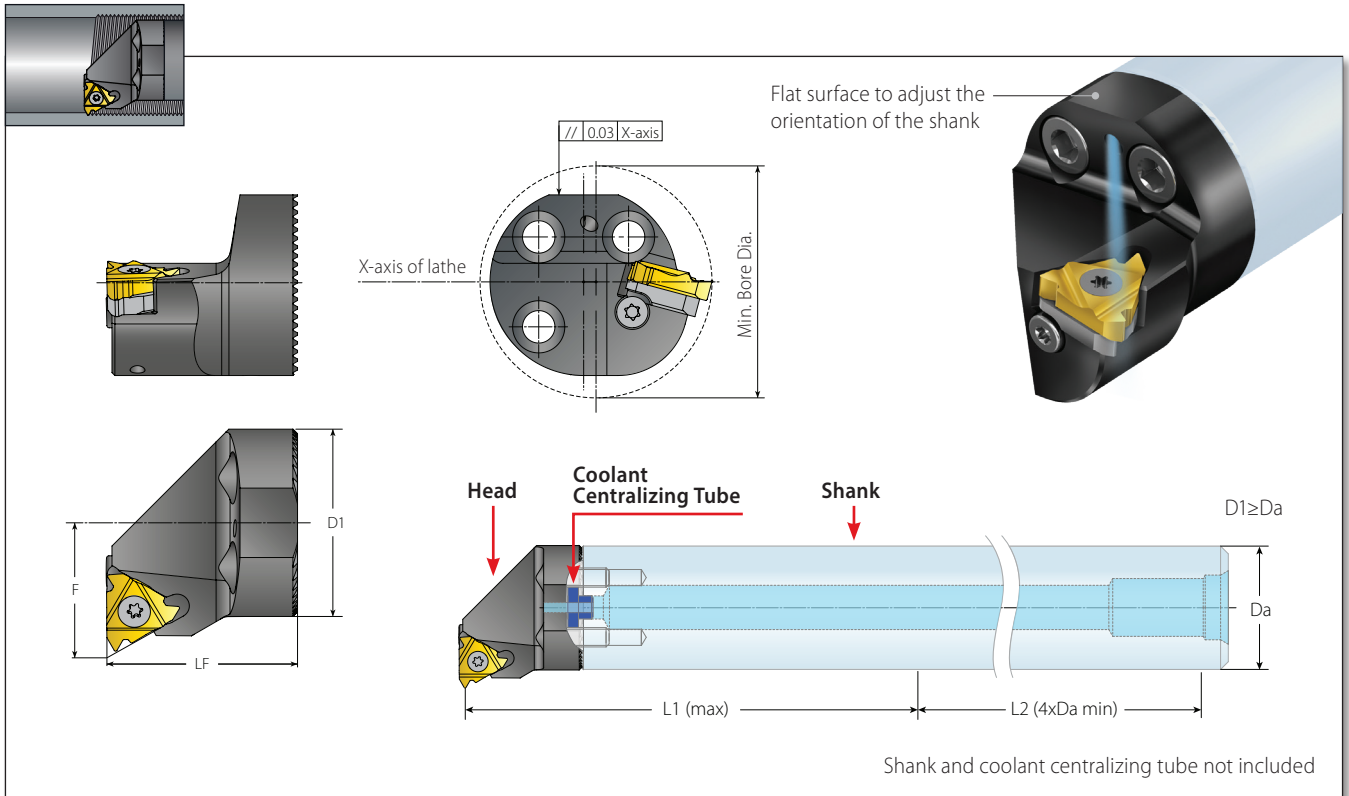
The NEW **Smooth Cut System Toolholder Heads** are included in the **VARGUS GENius™**, the most advanced Tool Selector and CNC Program Generator in the metal cutting tools industry.



Please contact me directly with specific questions and requests.
For additional updates and news visit the VARGUS website: www.vargus.com


Ami Yacar
Vardex Product Manager

Scroll down for complete details 



Smooth Cut Toolholder Heads

Insert Size	Ordering Code	Dimensions mm						Min. Bore dia.	Market Description	Spare Parts			
		D1	Da		F	L1 max	LF			mm	RH	Insert Screw	Anvil Screw
3/8"	VAS25-IR2517-3	25.3	25	1.00"	17.0	125.0	25.0	32	VAS25-IR2517-16				
	VAS32-IR3222-3	32.3	32	1.25"	22.0	160.0	32.0	40	VAS32-IR3222-16	SA3T	SY3T	K3T	YI3
	VAS40-IR3227-3	40.0	40	1.50"	27.0	200.0	32.0	50	VAS40-IR3227-16				
1/2"	VAS32-IR3222-4	32.3	32	1.25"	22.7	160.0	32.0	40	VAS32-IR3222-22				
	VAS40-IR3227-4	40.0	40	1.50"	27.0	200.0	32.0	50	VAS40-IR3227-22	SA4T	SY4T	K4T	YI4
5/8"	VAS40-IR3627-5	40.0	40	1.50"	27.3	200.0	36.0	50	VAS40-IR3627-27	SA5T	SY5T	K5T	YI5