

Product features:

- Quarter turn handle action for precise flow control
- Luscious European quality chromium plate finish
- Modern minimalism with flair
- Metal construction throughout
- Unique and coordinated diamond quilted handle design

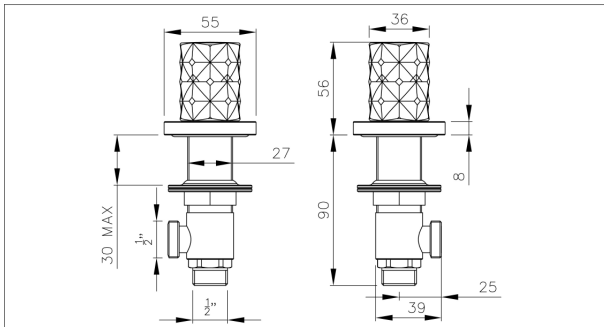
Packaged properties:

Box length (mm): 0 Box depth(mm): 0
Box width(mm): 0 Boxed weight (Kg): 0.00

Includes pop up waste?: No

Additional comments:

Product dimensions:



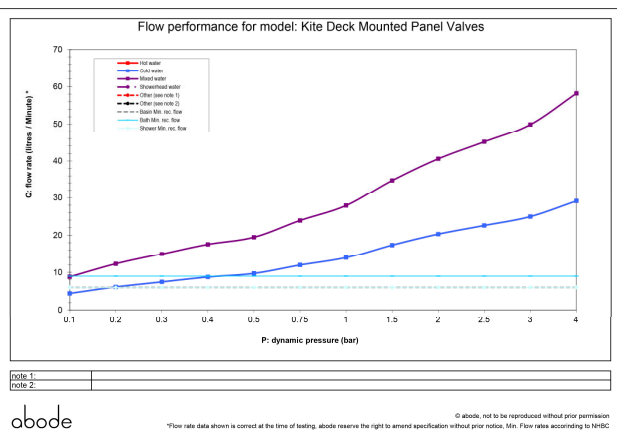
Kite
Deck Mounted Bath Filler Panel Valves

abode
(c) abode home products ltd
www.abode.co.uk
our policy is to continually improve and develop products, and accordingly we reserve the right to amend specifications without prior notice.

- **Product mounted where:** Surface
- **Recommended hole size:** 0 mm
- **Overall Height / projection:** 56 mm
- **Exit reach:** 0 mm
- **Exit height:** 0 mm
- **Base size:** 55 mm
- **Inlet centre distance(s):** n/a mm

- **Min. fitting depth required:** 30 mm
- **Max. surface depth:** n/a

Product flow characteristics:



- **Min / Max water pressure (bar):** 0.20* / 5
- **Part G max. mixed flow rate at 3 bar (l/m):** 49.92
- **Inlet connection type / length:** Flexible / 300 mm
- **Inlet (plumbing connection) / outlet size:** 1/2" F / 1/2" F
- **Product flow characteristics:** N/a
- **Non return valve(s) supplied or position:** None
- **Aerator type:** N/a
- **Control valve type:** 1/2" QT CD (7.5 x 22)
- **Includes output diverter?:** No
- **Inlet meshed particle filters included:** n/a
- **Shower hose type / length:** N/a / n/a

Warranty Summary (full details available on request):

- Materials and workmanship defects warranted for 5 years
- Valves and working parts warranted for 5 years
- Surface warranty defects warranted for 1 year
- O-rings, hoses & gaskets warranted for 1 year

Care instructions:

- Clean the mixers and showers regularly as required, using soap, do not use any other cleaners.
- Regular cleaning will prevent the build-up of lime scale and dirt
- After cleaning rinse thoroughly with clean water to remove any cleaner residue
- Residues of liquid soaps, shampoos and shower foams can also cause damage, so rinse with clean water after using, avoid contact with any abrasives