

NEONDUAL1616-BLK-5MKIT-RGB



24V

IP67

5
YEAR

Key Features

- **Product Dimensions (mm):** L5000xW16xH16
- **Bend direction:** Dual
- **Lm/m (up to):** 40 Lm/m
- **Lm/W (up to):** 4 Lm/W
- **Run length (max):** 5 m
- **Available Colours:** RGB
- **Warranty:** 5 Years
- **Kit Contents:** 5m reel with 1m cable at one end, extra 0.5m cable, 2 x sets of end caps, mounting brackets, silicone glue

Mechanical Data

Body Colour	Black	Bend Direction	Dual
Cable Both Ends	Yes	Cable Length	1000 mm
Cable Sheath Material	Silicone	Cable Weight	20 AWG
LED Chip Brand	Sanan	LED Chip Type	SMD2835
Copper Foil Weight	3 oz	Cut Points	50 mm
Entry Cable Direction	Top	LED Pitch	8.33 mm
LEDs Per Unit	6	LEDs Per Metre	120
LEDs Total	600	PCB Type	Flexible
Product Weight	1250 g	Product Dimensions	5000x16x16 mm

Electrical Data

Constant Voltage / Constant Current	CV	Current Max · @5 Metre	3.2A
Current Typ · @Max Run Length	2.9 A	Current Max · Blue @1 Metre	0.21 A
Current Max · Green @1 Metre	0.21 A	Current Max · Red @1 Metre	0.21 A
Max · Run Length	5 m	Wattage Max · @1 Metre	15.4 W
Wattage Typ · @1 Metre	14 W	Wattage Typ · @5 Metre	70 W
Wattage Typ · @Max Run Length	70 W		

Input Data

Input Voltage	24 V
---------------	------

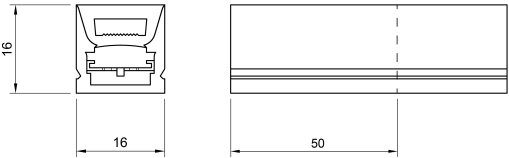
Control Data			
Dimming Type	PWM	Dimmable	Yes

Photometric Data			
Beam Angle	120 °	Colour Type	RGB
Lumen Total	200 Lm	Lumens Per Metre	40 Lm/m
Lumens Per Metre (Blue)	4 Lm/m	Lumens Per Metre (Red)	10 Lm/m
Lumens Per Watt	3 Lm/W	Lumens Per Watt (Blue)	1.5 Lm/W
Lumens Per Watt (Green)	8.4 Lm/W	Lumens Per Watt (Red)	3 Lm/W
Wavelength Blue	460 - 470 nm	Wavelength Green	515 - 530 nm
Wavelength Red	620 - 630 nm		

Environment Data			
Body Material	Silicone	Case Temperature Max · (tc)	65 °C
Ingress Protection (IP)	IP67	Interior or Exterior Use	Interior or Exterior

Protection Data	
Electrical Safety Class	III

Efficiency Data	
Rated Life	50000 Hours

Dimensions


Disclaimer

Ultra LEDs have taken reasonable care to ensure that the information in this datasheet is accurate at time of publication however it

should be noted that all specifications are subject to tolerance. Descriptive specifications such as colour are subjective. Ultra LEDs reserve the right to update specifications without notice. The information in the datasheet may only be relied on by customers of Ultra LEDs in accordance with applicable terms and conditions.