

Corner Water Resistant LED Profile

Aluminium - IP65 - Max. Strip Width 10mm

tagra®

SKU: CORPROIP65



SIL

10mm
Strip Width

IP65

Key Features

- ▶ Water Resistant IP65
- ▶ Corner
- ▶ Surface Mounted
- ▶ Max. Strip Light Width 10mm
- ▶ Available in 2M, 3M and custom lengths
- ▶ Available in silver
- ▶ Anodized Aluminium

Product Data

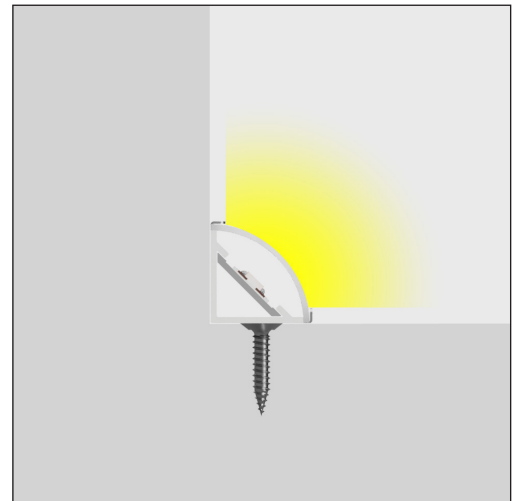
Lengths	2000mm, 3000mm
Max. Dimensions	16mm x 16mm
Max. Strip Width	10mm
Depth	6.3mm
Colours	Silver
Material	Anodized Aluminium
Diffuser Available	Semi-Clear (included)
IP Rating	IP65
Installation Type	Surface Mounted
Accessories Available	Mounting Brackets, Endcaps

Available SKU's

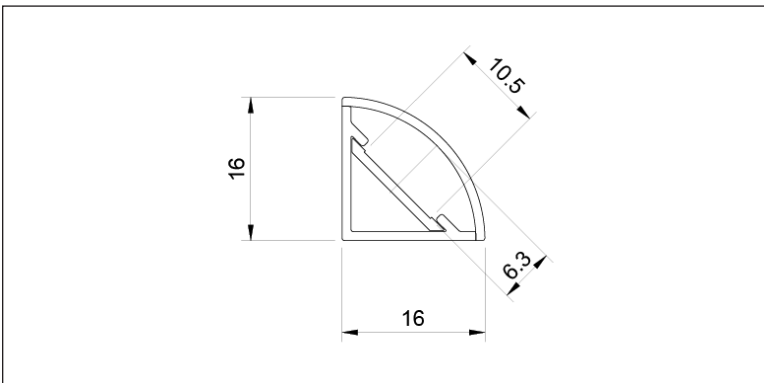
CORPROIP652M

CORPROIP653M

Installation



Dimensions



Available Accessories

Type	SKU	Colour/Material	Note
Endcap	CORPROIP65-ENDCAP	White	Set of 4
Mounting Bracket	MOUNT-1616	Stainless Steel	Set of 4

