

Precautions

Installation Notes

- ▶ Install in accordance with the IEE wiring regulations and building regulations.
- ▶ This product must be installed by a suitably competent person.

IMPORTANT

- ▶ Please read these instructions carefully before commencing any work.
- ▶ Please retain these instructions for future reference.
- ▶ Please refer to product listing for detailed information.

Electrical

- ▶ Switch the power off at the mains supply before installing or maintaining the unit.
- ▶ Ensure others cannot restore the electrical power supply without your knowledge.
- ▶ Only install compatible constant voltage LED fixtures and controls. 12V products should be used with a 12V driver and 24V products should be used with a 24V driver. Contact technical support or visit the product page for compatible products.
- ▶ Connect products with correct polarity. The positive cable (+) should be connected to the positive terminal on the driver. The negative cable (-) should be connected to the negative terminal on the driver.
- ▶ Ensure that the power capacity of the LED driver is greater than the total load of all the connected products.
- ▶ Ensure appropriate cables are installed between driver, fixtures, and any controllers. When choosing cable, factor in voltage drop, current rating and type. Inadequate cables could overheat and cause a fire.
- ▶ The maximum length of output cable to the light source should not exceed 2 metres to meet EMC standard.
- ▶ Do not install if the product has visible damage.
- ▶ Do not open, modify, or repair the unit. No user-serviceable parts inside.
- ▶ This is a Class II product: no earth connection is required.
- ▶ Ensure input voltage matches rating on device label.
- ▶ Maintain a clearance of 50mm around the unit.
- ▶ Connect AC mains to input terminals (L/N). No earth is required.
- ▶ For dimmable versions, connect control input per diagram.
- ▶ Do not short-circuit the output.
- ▶ Do not operate dimmable versions without load.

Mechanical

- ▶ The unit will generate heat during use. Do not cover with insulation or place near flammable materials.
- ▶ Secure unit to a solid surface using fixing points with adequate ventilation.
- ▶ Protect the driver from mechanical damage. Take care not to dislodge any components during installation. Ensure that cables connected to the driver cannot be pulled and are secured to provide strain relief.

Environmental

- ▶ IP20 drivers are not waterproof and can only be installed indoors.
- ▶ Install in a location without chemicals like sulphur, acid and halogen present.
- ▶ Avoid direct exposure to sunlight and protect cables from UV rays with suitable silicone sheath.

Product Warranty

1. A warranty period is provided for products in normal use. For any faults arising during the period that are confirmed to be quality related by inspection by the company, a product of the same specification will be replaced for free.
2. The warranty does not cover any of the following:
 - (1) Any product damage due to usage not allowed in the instructions.
 - (2) Any product damage due to disassembling or wrong operation by the user.
 - (3) Severe appearance damage or deformation of the product.

CLASS II

TRIAC Dimmable LED Drivers

▶ 12V & 24V Constant Voltage

User Manual



WARNING

Shock hazard. May result in serious injury or death. Isolate supply before installation. Complete electrical safety checks before commissioning. Inspect regularly in accordance with local regulations



WARNING

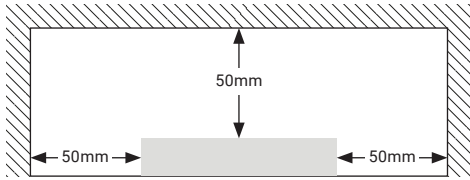
Risk of fire. Ensure correct cable sizing, over-current protection, ventilation and keep away from combustible materials.

SKU	INPUT		OUTPUT			PF	Eff.	Ta (Max)	Tc (Max)	IP
	Voltage	Current	Voltage	Current	Power					
TAGTRIAC12V30WB	220-240V AC	0.2A	12V DC	0.5-2.5A	6-30W	0.9	85%	45°C	85°C	20
TAGTRIAC12V50WB	220-240V AC	0.3A	12V DC	1.6-4.16A	19.2-50W	0.9	85%	45°C	85°C	20
TAGTRIAC24V100W	220-240V AC	1.0A	24V DC	1.0-4.17A	24-100W	0.9	85%	45°C	90°C	20
TAGTRIAC24V30W-V2	220-240V AC	0.2A	24V DC	0.25-1.25A	6-30W	0.9	85%	45°C	85°C	20
TAGTRIAC24V50W-V2	220-240V AC	0.3A	24V DC	0.8-2.08A	19.2-50W	0.9	85%	45°C	85°C	20
TAGTRIAC24V75W	220-240V AC	1.0A	24V DC	1-3.125A	24-75W	0.9	85%	45°C	85°C	20
TAGTRIAC12V100W	220-240V AC	1.0A	12V DC	2-8.33A	24-100W	0.9	85%	45°C	90°C	20
TAGTRIAC24V150W	220-240V AC	1.0A	24V DC	2-6.25A	48-150W	0.9	90%	45°C	90°C	20
TAGTRIAC24V200W	220-240V AC	1.0A	24V DC	4-8.33A	96-200W	0.95	93%	45°C	90°C	20
TAGTRIAC24V300W	220-240V AC	1.5A	24V DC	6-12.5A	144-300W	0.95	94%	45°C	90°C	20

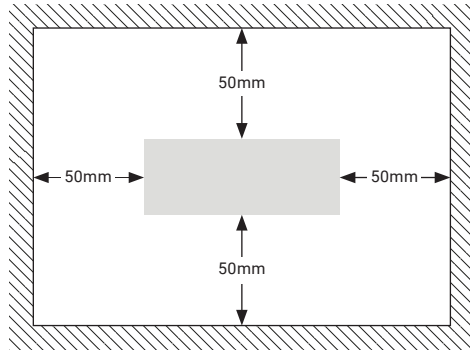


Mounting Location

Plan View



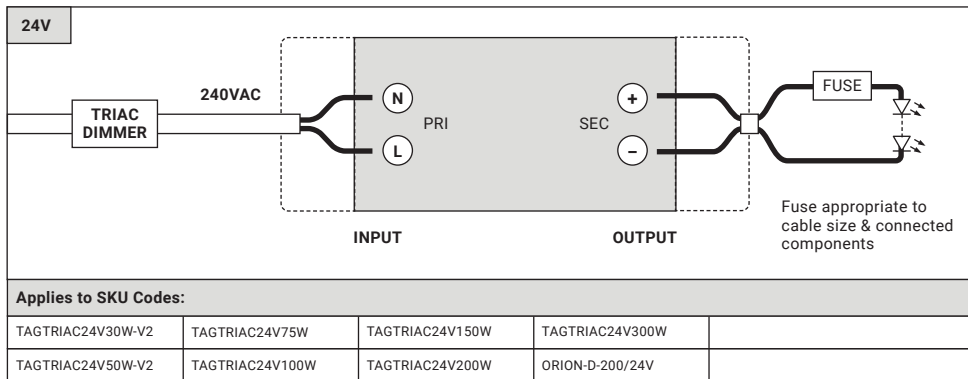
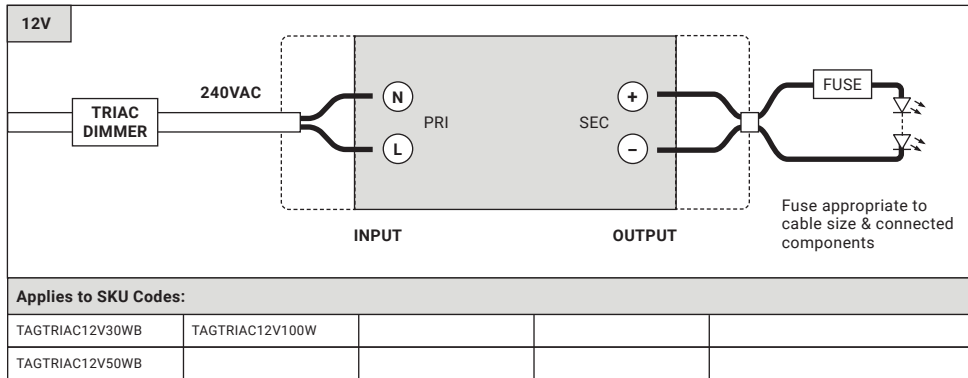
Top View



WARNING:

The unit will generate heat during use. Do not cover with insulation or place near flammable materials.

Wiring Diagram

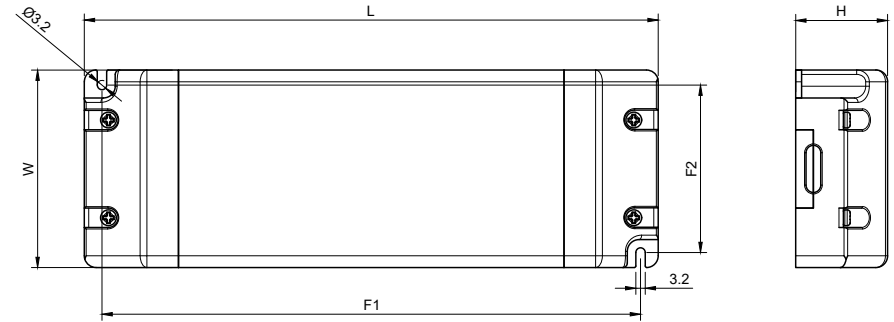


Installation

Refer to the "Electrical" section listed in the precautions.

Ensure all components compatible. Configure and pre-test system prior to permanent installation.

1. Unscrew and remove the covers from the unit (were applicable).
2. Connect AC mains to input (PRI) terminals. No earth is required. Check voltage and polarity.
3. Connect LED system on the output (SEC) terminals. Check voltage and polarity.
4. Do not cover with insulation or place near flammable materials.
5. Secure unit to a solid surface using fixing points with adequate ventilation.
6. Maintain a clearance of 50mm around the unit.
7. Replace the covers and screw down ensuring cables are firmly clamped.
8. Complete electrical safety checks.



SKU	Length	Width	Height	Mounting Points (F1 x F2)
TAGTRiac12V30WB	158mm	45.8mm	18.3mm	141.8mm x 36.6mm
TAGTRiac12V50WB	177mm	57.8mm	21.8mm	158.8mm x 48.6mm
TAGTRiac24V100W	200.8mm	63mm	31mm	195mm x 20.3mm
TAGTRiac24V30W-V2	158mm	45.8mm	18.3mm	141.8mm x 36.6mm
TAGTRiac24V50W-V2	177mm	57.8mm	21.8mm	158.8mm x 48.6mm
TAGTRiac24V75W	170.4mm	56.5mm	31mm	160.1mm x 45.5mm
TAGTRiac12V100W	200.8mm	63mm	31mm	195mm x 20.3mm
TAGTRiac24V150W	195mm	67.1mm	31.2mm	182.8mm x 57.3mm
TAGTRiac24V200W	215mm	77.5mm	35mm	201.7mm x 64.3mm
TAGTRiac24V300W	215mm	77.5mm	35mm	201.7mm x 64.3mm