

CLASS I

Non-Dimmable IP67 LED Drivers

User Manual

IMPORTANT INFORMATION

- Please read these instructions carefully before installation or operation.
- Retain this manual for future reference.
- Please refer to product listing for detailed information.
- This product must be installed by a suitably competent person.
- This product should be installed in accordance with local IEE wiring regulations and building regulations.
- Remove product from packaging.
- Ensure mains supply is disconnected before installation.
- Ensure others cannot restore the electrical power supply without your knowledge.
- Do not open, modify, or repair the unit. No user-serviceable parts inside.

SAFETY PRECAUTIONS

- Please read these instructions carefully before installation or operation.
- This product must be installed by a suitably competent person.
- Ensure mains supply is disconnected before installation.
- Ensure others cannot restore the electrical power supply without your knowledge.
- Do not install or use the product if it is damaged.
- For indoor and outdoor use.
- Allow adequate ventilation.

ELECTRICAL

- Switch the power off at the mains supply before installing or maintenance.
- Ensure others cannot restore the electrical power supply without your knowledge.
- Only install compatible constant voltage LED fixtures and controls. 12V products should be used with a 12V driver and 24V products should be used with a 24V driver. Contact technical support or visit the product page for compatible products.
- Connect products with correct polarity.
- Ensure that the power capacity of the power supply is greater than the total load of all the connected products.
- The maximum length of output cable to the light source should not exceed 2 metres to meet EMC standard.
- Do not overload the power supply.
- When choosing cable, factor in voltage drop, current rating and type. Inadequate cables could overheat and cause a fire.
- Do not install if the product has visible damage.
- Do not modify or disassemble the product beyond instructions or the warranty will be void.
- This is a Class I product: earth connection is required.
- Ensure input voltage matches rating on device label.
- Connect AC mains to input terminals (L/N/⊕). Earth connection is required.
- Do not short-circuit the output.

MECHANICAL

- The unit will generate heat during use. Do not cover with insulation or place near flammable materials.
- Secure unit to a solid surface using fixing points with adequate ventilation.
- Protect the driver from mechanical damage. Take care not to dislodge any components during installation. Ensure that cables connected to the driver cannot be pulled and are secured to provide strain relief.
- Do not over tighten screws when mounting the driver.

ENVIRONMENTAL

- IP66 and IP67 drivers are suitable for indoor and outdoor installation.
- Install in a location without chemicals like sulphur, acid and halogen present.
- Avoid direct exposure to sunlight and protect cables from UV rays with suitable silicone sheath.

MAINTENANCE

- Before cleaning or maintenance, ensure the power supply is disconnected from the mains.
- Clean only with a dry, soft cloth.
- Do not use chemical cleaners or solvents.
- Do not open, modify, or repair the unit. No user-serviceable parts inside.



WARNING

Shock hazard. May result in serious injury or death. Isolate supply before installation. Complete electrical safety checks before commissioning. Inspect regularly in accordance with local regulations



WARNING

Risk of fire. Ensure correct cable sizing, over-current protection, ventilation and keep away from combustible materials.

| SKU | INPUT | | OUTPUT | | | | PF | Eff. | Ta (Max) | Tc (Max) | IP |
|--------------------|-------------|---------|---------|---------|-------|------|-------|------|----------|----------|----|
| | Voltage | Current | Voltage | Current | Power | | | | | | |
| TAG24V50WIP67 | 220-240V AC | 0.35A | 24V DC | 2.08A | 50W | 0.97 | 87% | 50°C | 85°C | 67 | |
| TAG24V96WIP67C | 220-277V AC | 0.48A | 24V DC | 4.17A | 96W | 0.97 | 94% | 70°C | 85°C | 67 | |
| TAG48V96WIP67 | 220-277V AC | 0.48A | 48V DC | 2.08A | 96W | 0.97 | 94% | 70°C | 85°C | 67 | |
| TAG24V150WIP67C | 220-277V AC | 0.72A | 24V DC | 6.25A | 150W | 0.98 | 93.5% | 70°C | 90°C | 67 | |
| TAG48V150WIP67 | 220-277V AC | 0.72A | 48V DC | 3.125A | 150W | 0.98 | 93.5% | 70°C | 90°C | 67 | |
| TAG24V200WIP67C | 220-277V AC | 1.0A | 24V DC | 8.33A | 200W | 0.98 | 94% | 60°C | 90°C | 67 | |
| TAG48V200WIP67 | 220-277V AC | 1.0A | 48V DC | 4.16A | 200W | 0.98 | 93% | 60°C | 90°C | 67 | |
| TAG24V240WIP67C | 220-277V AC | 1.2A | 24V DC | 10.0A | 240W | 0.98 | 94% | 60°C | 90°C | 67 | |
| TAG48V240WIP67 | 220-277V AC | 1.2A | 48V DC | 5.0A | 240W | 0.98 | 93% | 60°C | 90°C | 67 | |
| TAG24V320WIP67C | 220-277V AC | 1.7A | 24V DC | 13.3A | 320W | 0.98 | 94.5% | 60°C | 85°C | 67 | |
| TAG48V320WIP67 | 220-277V AC | 1.7A | 48V DC | 6.67A | 320W | 0.98 | 95% | 60°C | 85°C | 67 | |
| TAGTHIN12V60WIP67 | 100-240V AC | 0.5A | 12V DC | 5.0A | 60W | 0.9 | 86% | 60°C | 85°C | 67 | |
| TAGTHIN12V100WIP67 | 100-240V AC | 1.3A | 12V DC | 8.33A | 100W | 0.9 | 92% | 55°C | 90°C | 67 | |
| TAGTHIN24V60WIP67 | 100-240V AC | 0.5A | 24V DC | 2.5A | 60W | 0.9 | 88% | 60°C | 85°C | 67 | |
| TAGTHIN24V100WIP67 | 100-240V AC | 1.3A | 24V DC | 4.17A | 100W | 0.9 | 92% | 55°C | 90°C | 67 | |



DISPOSAL & RECYCLING

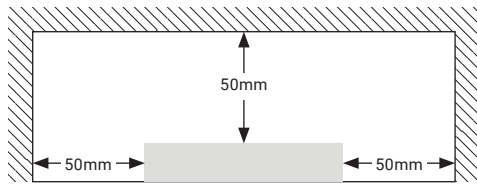
- This product must not be disposed of with household waste.
- Please return to an authorised recycling facility in accordance with local environmental regulations.

PRODUCT WARRANTY

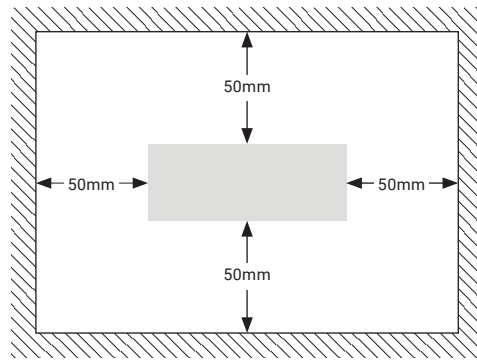
1. A warranty period is provided for products in normal use. For any faults arising during the period that are confirmed to be quality related by inspection by the company, a product of the same specification will be replaced for free.
2. The warranty does not cover any of the following:
 1. Any product damage due to usage not allowed in the instructions.
 2. Any product damage due to disassembling or wrong operation by the user.
 3. Severe appearance damage or deformation of the product.

CLEARANCE

Plan View



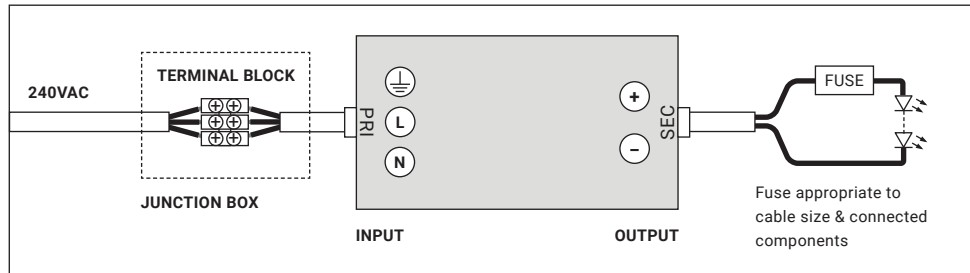
Top View



WARNING:

- The unit will generate heat during use.
- Do not cover with insulation or place near flammable materials.
- Increase the space if the adjacent device is a heat source.

WIRING DIAGRAM



INSTALLATION

Refer to the "Electrical" section listed in the precautions. Ensure all components compatible. Configure and pre-test system prior to permanent installation.

1. Use a terminal block and junction box for connections.
2. Connect AC mains to input (PRI) terminals. Earth connection is required. Check voltage and polarity.
3. Connect LED system on the output (SEC) terminals. Check voltage and polarity.
4. Do not cover with insulation or place near flammable materials.
5. Secure unit to a solid surface using fixing points with adequate ventilation.
6. Maintain a clearance of 50mm around the unit.
7. Check cable strain relief.
8. Complete electrical safety checks.

DIMENSIONS & MOUNTING POINTS

| SKU | Length (mm) | Width (mm) | Height (mm) | Mounting Points (mm) |
|--------------------|-------------|------------|-------------|----------------------|
| TAG24V50WIP67 | 157 | 52.9 | 36.5 | 141 x 24.7 |
| TAG24V100WIP67C | 135 | 68 | 33.5 | 120 x 32 |
| TAG48V100WIP67 | 135 | 68 | 33.5 | 120 x 32 |
| TAG24V150WIP67C | 155 | 68 | 33.5 | 140 x 32 |
| TAG48V150WIP67 | 155 | 68 | 33.5 | 140 x 32 |
| TAG24V200WIP67C | 170 | 68 | 33.5 | 155 x 32 |
| TAG48V200WIP67 | 170 | 68 | 33.5 | 155 x 32 |
| TAG24V240WIP67C | 190 | 68 | 33.5 | 175 x 32 |
| TAG48V240WIP67 | 190 | 68 | 33.5 | 175 x 32 |
| TAG24V320WIP67C | 220 | 68 | 33.5 | 205 x 32 |
| TAG48V320WIP67 | 220 | 68 | 33.5 | 205 x 32 |
| TAGTHIN12V60WIP67 | 333.6 | 30 | 17.5 | 323.6 x 10 |
| TAGTHIN12V100WIP67 | 350.6 | 30 | 18.5 | 340.6 x 10 |
| TAGTHIN24V60WIP67 | 333.6 | 30 | 17.5 | 323.6 x 10 |
| TAGTHIN24V100WIP67 | 350.6 | 30 | 18.5 | 340.6 x 10 |