

Key Features & Benefits:

- Innovative Design Enables Easy Installation
- Multiple Mounting Options
- Wide AC Input Voltage Range of 200–528VAC
- 20' Cord Set on Classic and Back Mount
- 5' Cord Set on Remote Mount
- Standard 20-Year Warranty
- Precise Lighting with Various Beam Options

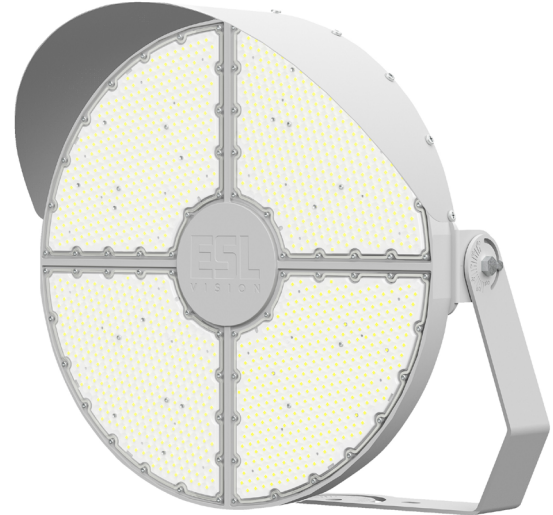
Project: _____ Date: _____

Catalog #: _____

Notes: _____

Product Specifications:

Wattage: 850W
 Kelvin: 5000K
 Lumen Output: 145,117 Lumens
 Voltage: 200–528 VAC
 Input Frequency: 50/60 Hz
 Surge Protection: 6kA Driver ;20kA Stand Alone
 Power Factor: >0.9
 THD: 70
 Beam Angle: 30°
 Cord Length: Classic Mount–20 Foot; Back Mount–20 Foot; Remote Mount–5 Foot
 Dimensions: L35.16” x W23.94” x H22.52”
 Weight (lbs): 71.54
 Finish: GR (Grey)
 L70 Lifetime Calculated per TM21: 165000 Hours
 Warranty: 20 Year



Ordering Guide:

ESL	TYPE	WATTS	GEN	KELVIN	VOLTAGE	FINISH	MOUNT	LENS	BEA
ESL	SPT	850W	2	50K	HV	GR	AM	30 Degree	
	(SPT) Sport Light	(550W) 550 Watts (850W) 850 Watts	(2) 2nd Gen	(50) 5000 Kelvin			(BLANK) Classic Mount (RMDB) Remote Mount, Diving Board (RMTM) Remote Mount, Trunnion (RMSF) Remote Mount,		(20) 20° (30) 30° (40) 40° (50) 50°

FIELD INSTALLED ACCESSORIES

ESL-SPT-LASER	Sports Light Laser Aiming Device
Synapse Wireless Control System	Contact Rep to Build

Catalog Data:

ITEM#	WATTAGE	KELVIN	LUMENS	EFFICACY lm/W	INPUT VOLTAGE	DLC QPL CODE
ESL-SPT-550W-250-20	550W	5000K	86,097	153	200–528 VAC	S-T3JGPE
ESL-SPT-550W-250-30			88,238	156		S-JTNOAM
ESL-SPT-550W-250-40			88,005	156		S-KAVZ05
ESL-SPT-550W-250-50			87,624	155		S-YW0190
ESL-SPT-850W-250-20			850W	5000K		141,475
ESL-SPT-850W-250-30	143,627	171			S-P7Q81B	
ESL-SPT-850W-250-40	143,288	171			S-U9125Z	
ESL-SPT-850W-250-50	145,622	174			S-ELW3T0	

Electrical Load – Wide Input Voltage:

SYSTEM WATTS	INPUT CURRENT	INPUT VOLTAGE	INPUT FREQUENCY	POWER FACTOR	THD	OPERATING TEMPERATURE	SURGE PROTECTION	DIMMING	
550	208 VAC	200–528 VAC	50/60 Hz	>0.9	<15%	-40°F to 122°F (-40°C to 50°C)	6kA Driver 20kA Stand Alone	0–10	
	240 VAC								2.64
	277 VAC								2.29
	347 VAC								1.99
	480 VAC								1.59
	528 VAC								1.15
850	208 VAC	200–528 VAC	50/60 Hz	>0.9	<15%	-40°F to 122°F (-40°C to 50°C)	6kA Driver 20kA Stand Alone	0–10	
	240 VAC								4.09
	277 VAC								3.54
	347 VAC								3.07
	480 VAC								2.45
	528 VAC								1.77

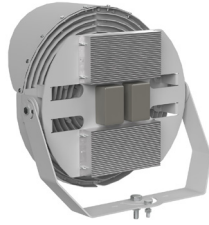
Lumen Ambient Temperature (LAT) Multipliers:

AMBIENT	LUMEN MULTIPLIER
0 °C 32 °F	1.02
10 °C 50 °F	1.01
20 °C 68 °F	1.00
25 °C 77 °F	1.00
30 °C 86 °F	1.00
40 °C 104 °F	0.99
50 °C 122 °F	0.96

Mount Configurations:



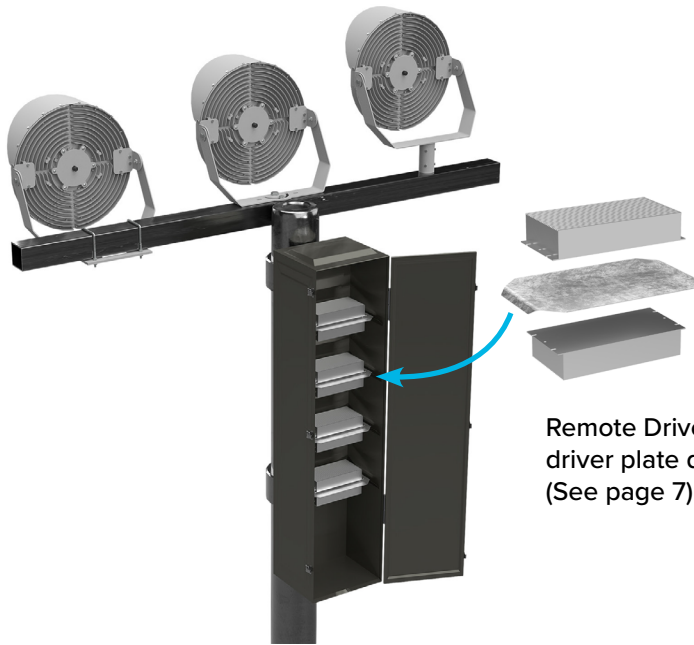
Classic:
ESL-SPT-550W-250-bb
ESL-SPT-850W-250-bb



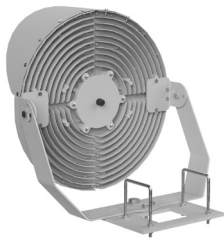
**Back Driver Mount
with Trunnion Fixture Mount:**
ESL-SPT-550W-250-bb-DMTM
ESL-SPT-850W-250-bb-DMTM



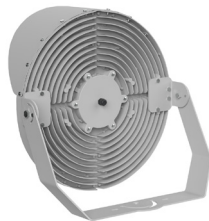
**Back Driver Mount
with Slipfitter Fixture Mount:**
ESL-SPT-550W-250-bb-DMSF
ESL-SPT-850W-250-bb-DMSF



Remote Driver Mount must include the driver plate dimensions with the order. (See page 7)



**Remote Driver Mount
with Diving Board Fixture Mount:**
ESL-SPT-550W-250-bb-RMDB
ESL-SPT-850W-250-bb-RMDB



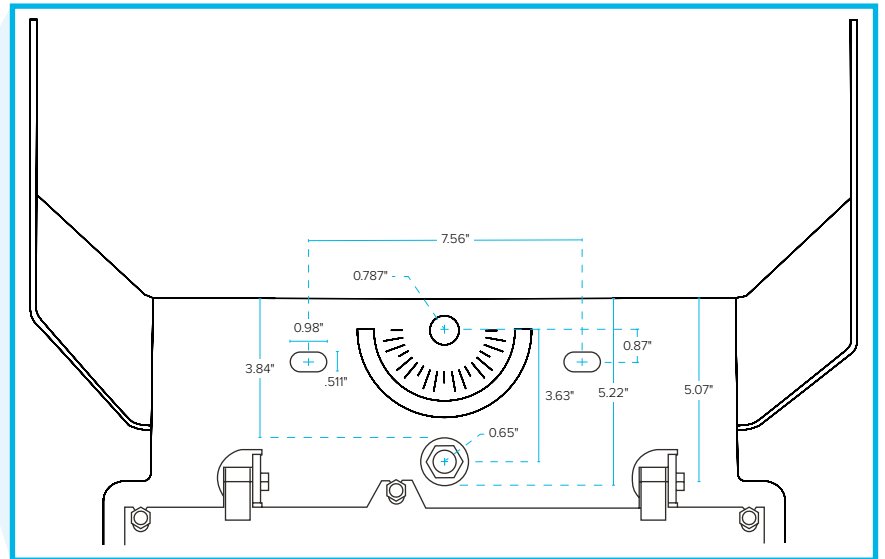
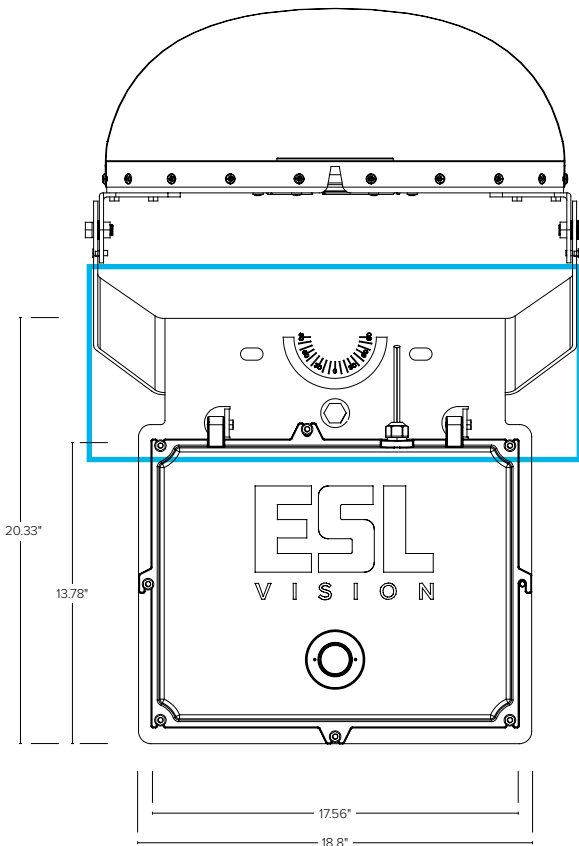
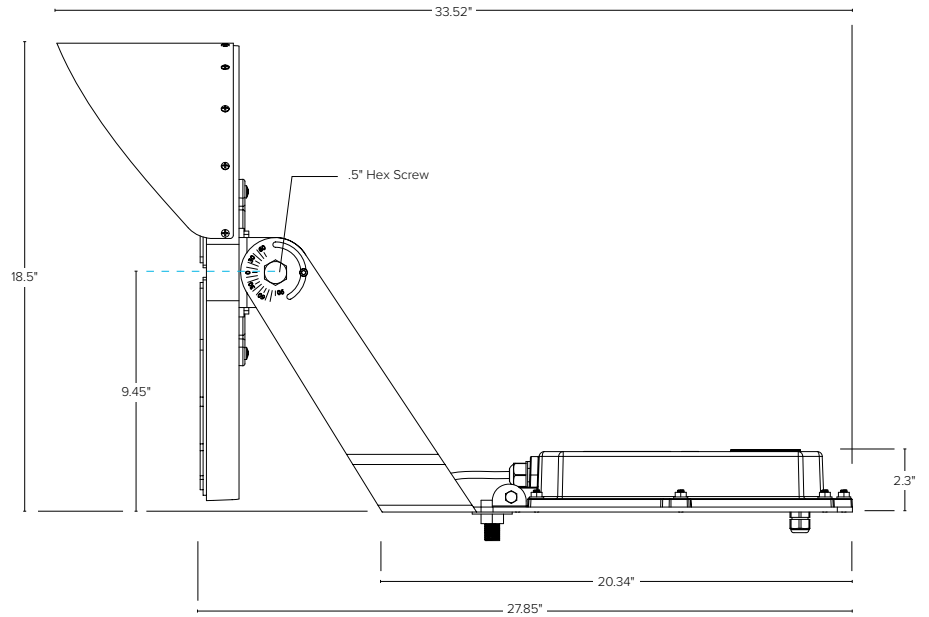
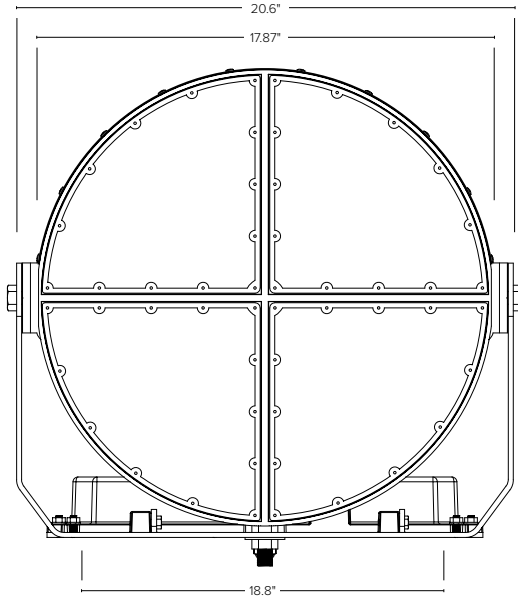
**Remote Driver Mount
with Trunnion Fixture Mount:**
ESL-SPT-550W-250-bb-RMTM
ESL-SPT-850W-250-bb-RMTM



**Remote Driver Mount
with Slipfitter Fixture Mount:**
ESL-SPT-550W-250-bb-RMSF
ESL-SPT-850W-250-bb-RMSF

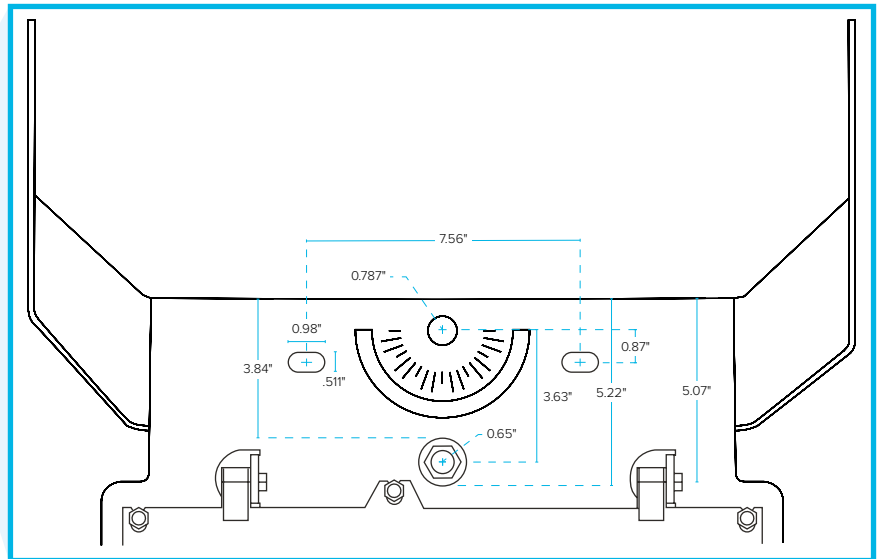
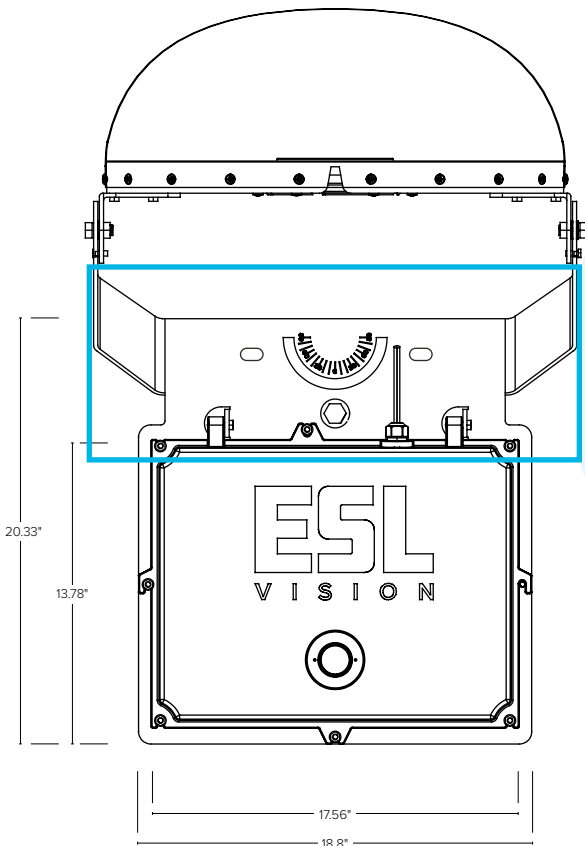
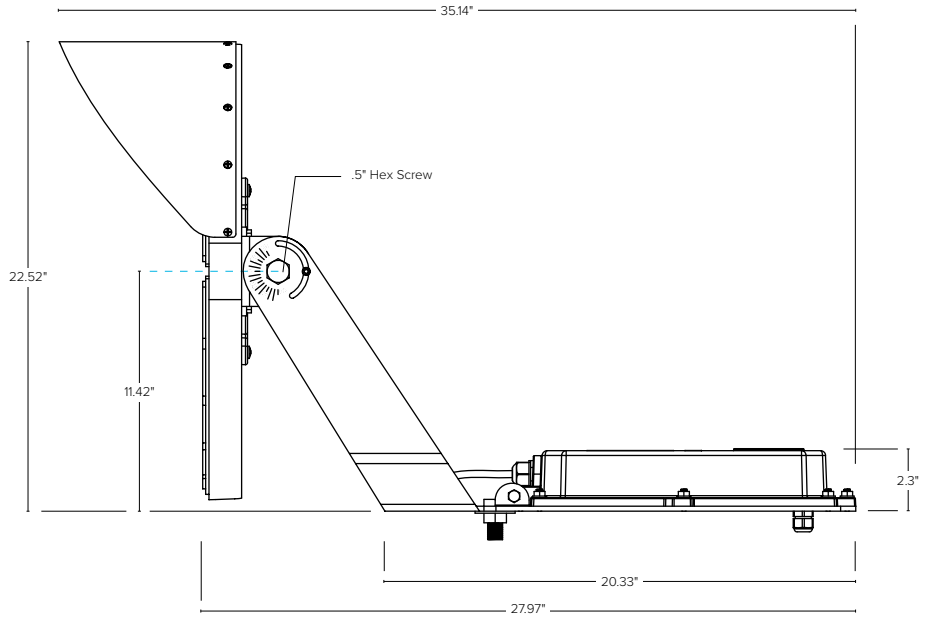
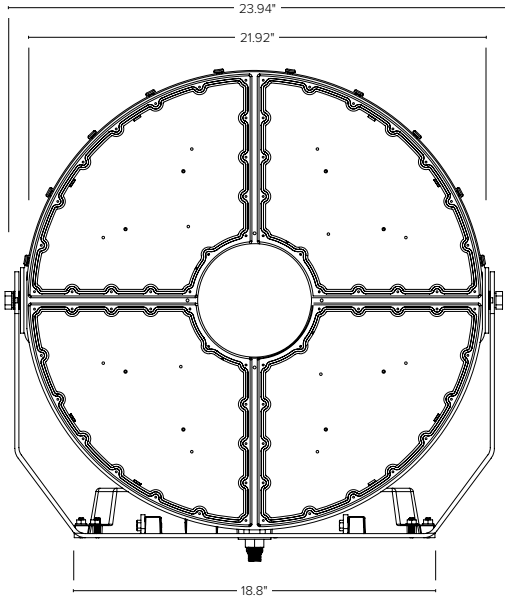
Dimensions:

550W



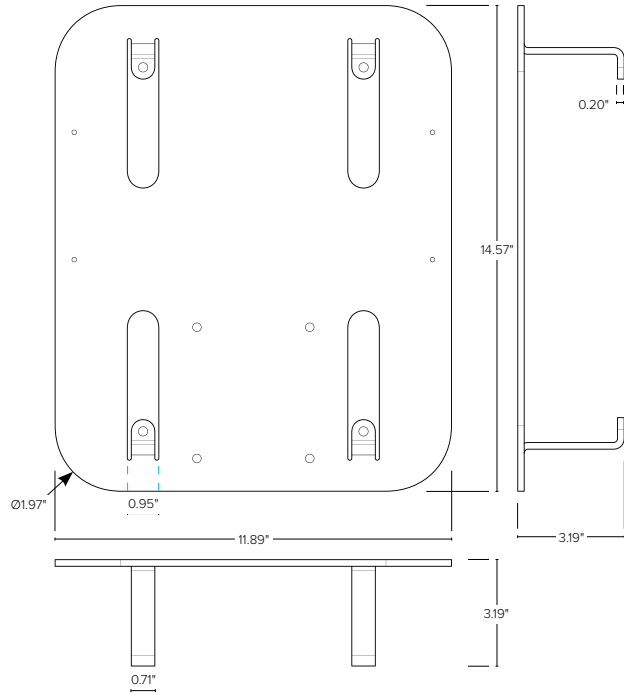
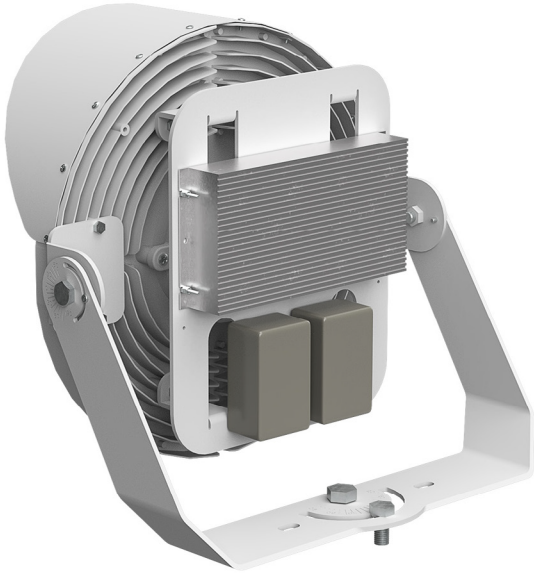
Dimensions:

850W

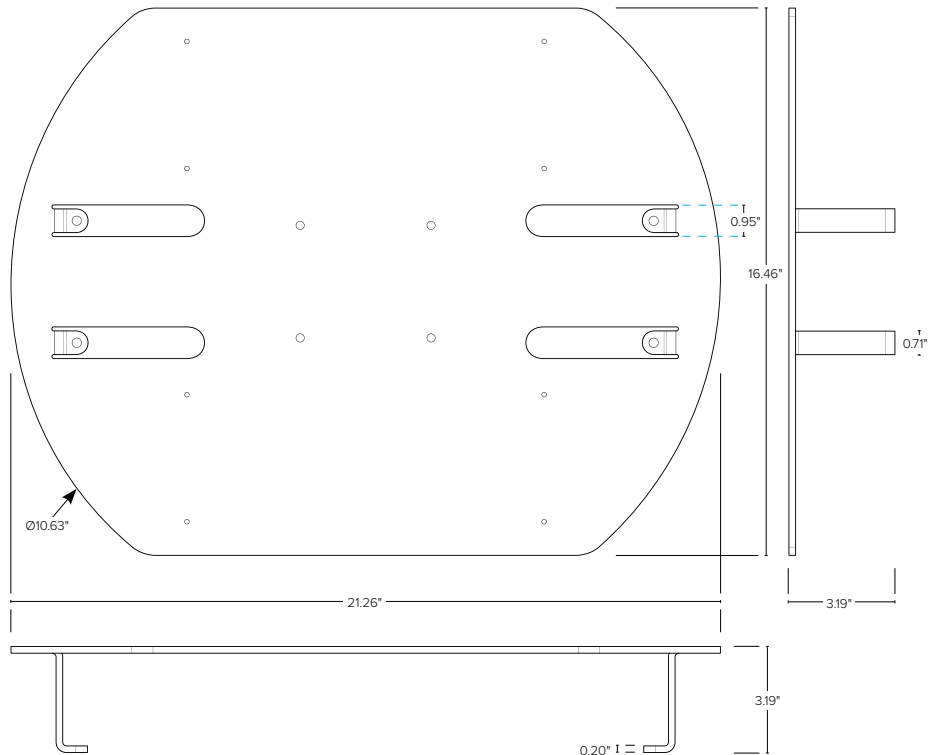
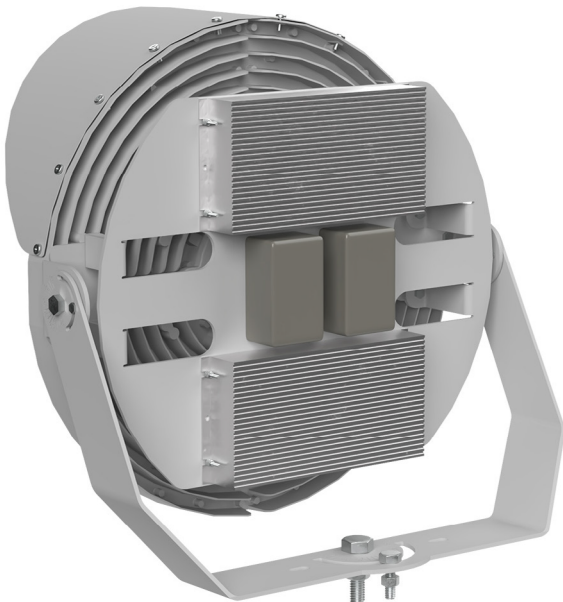


Driver Mount Dimensions:

Back Mount 550W

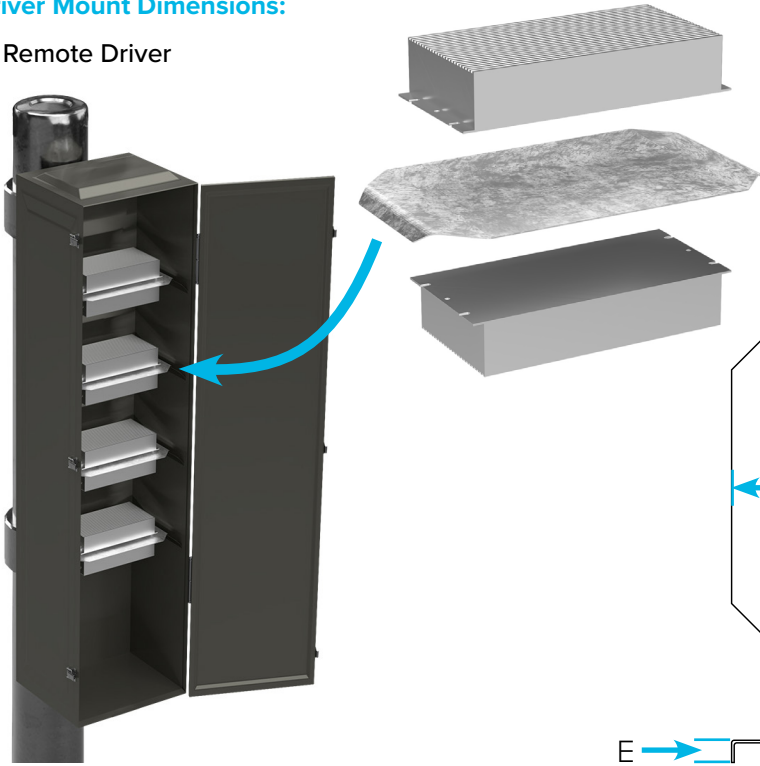


Back Mount 850W

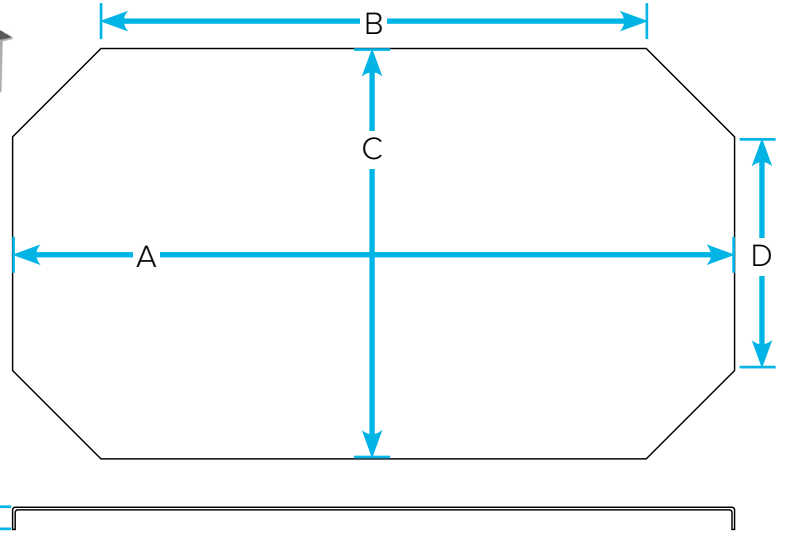


Driver Mount Dimensions:

Remote Driver

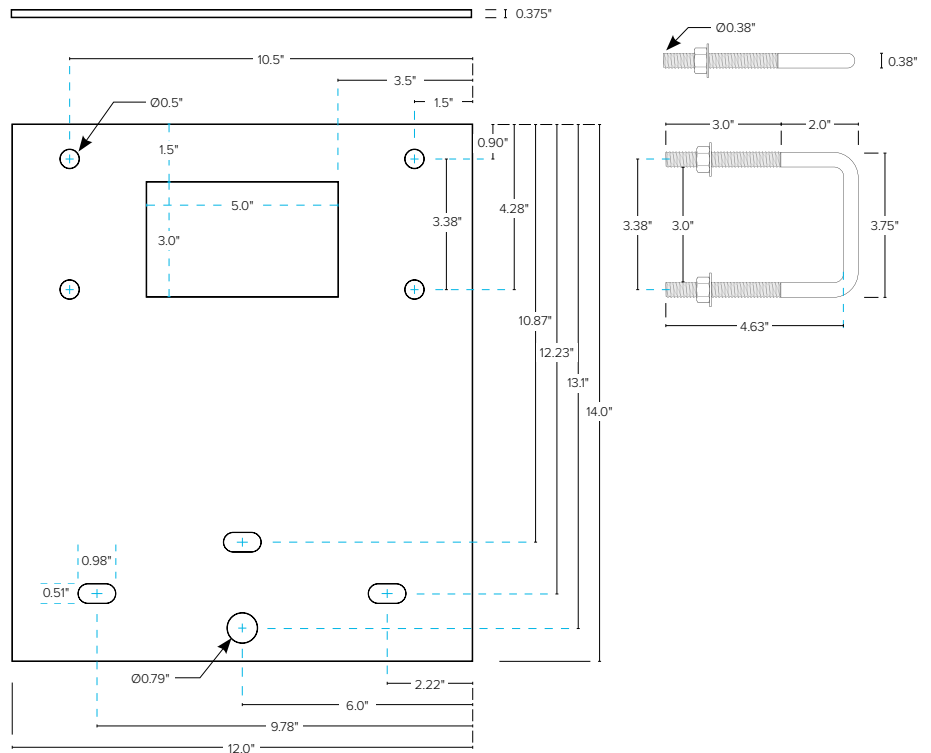
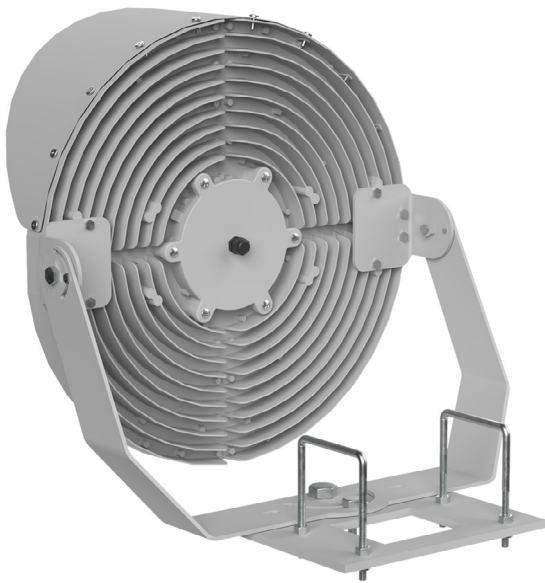


Provide plate measurements when ordering:



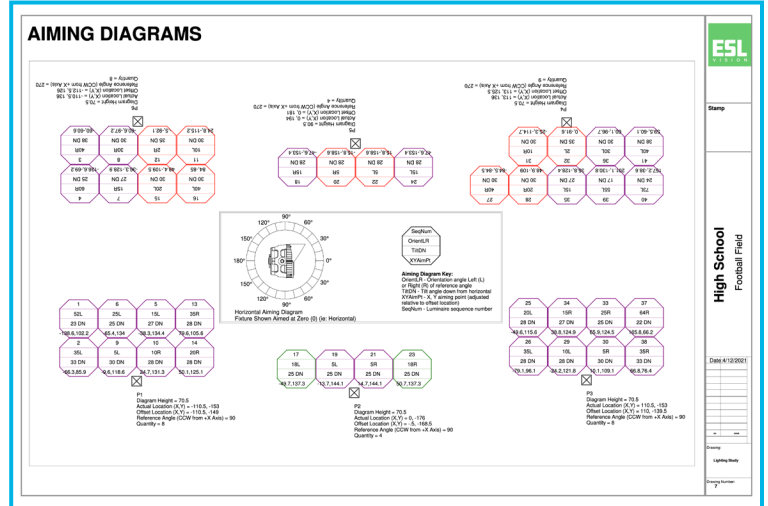
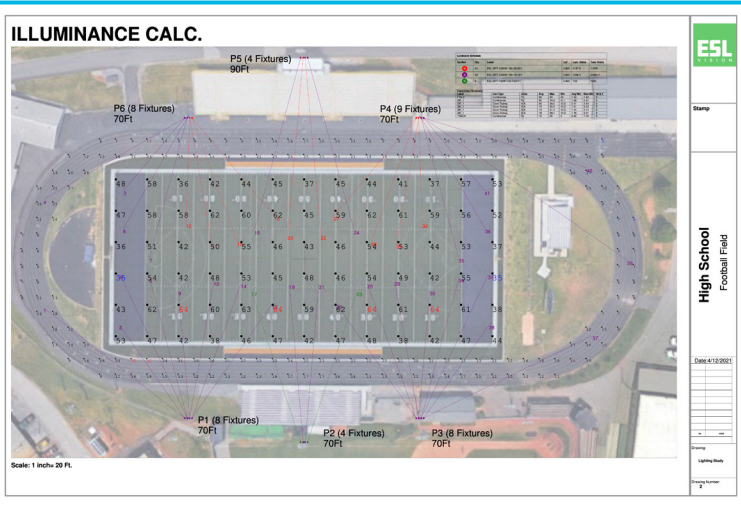
Fixture Mount Dimensions:

Diving Board Mount with U-Bolts

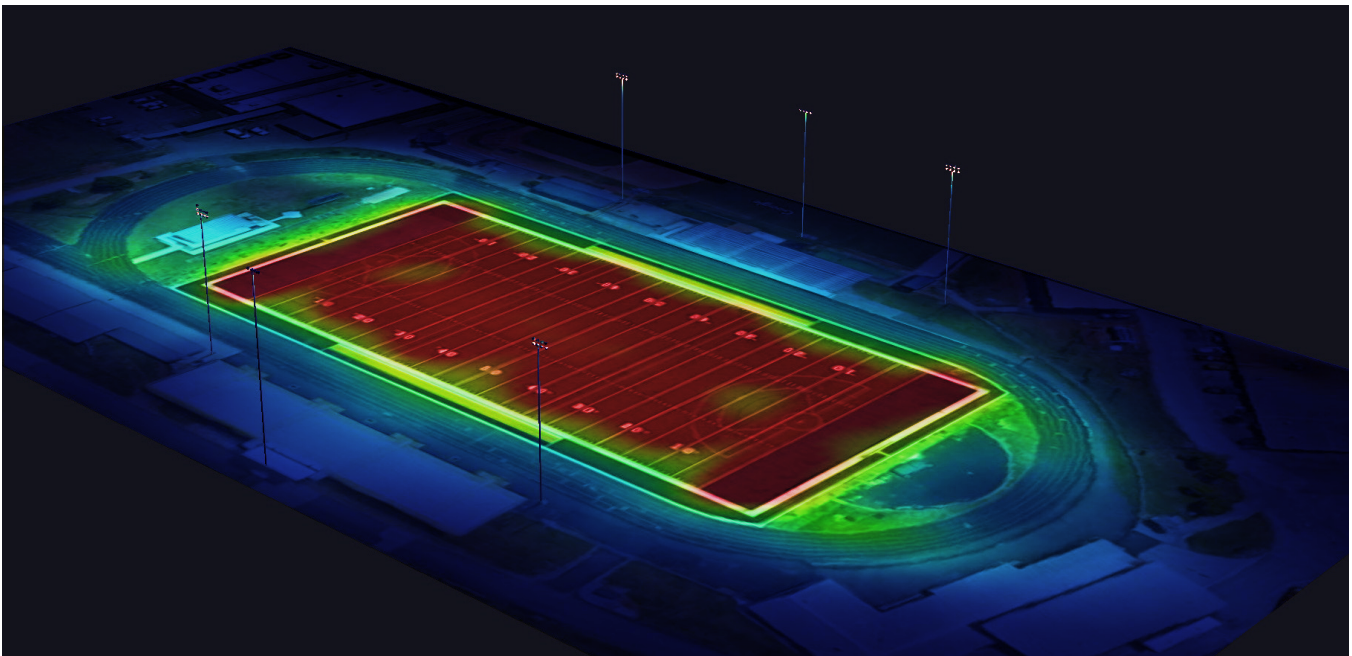


Precision Lighting:

ESL Vision offers lighting layouts with illuminance calculations and aiming diagrams for pin-point precision in creating the optimal lighting for any venue. With a 150° tilt range, a 180° orient range and the optional aiming laser, finding the exact orientation for each fixture is quick and easy.



ILLUMINANCE RENDERING





SYNAPSE

SYNAPSE WIRELESS CONTROL SYSTEM

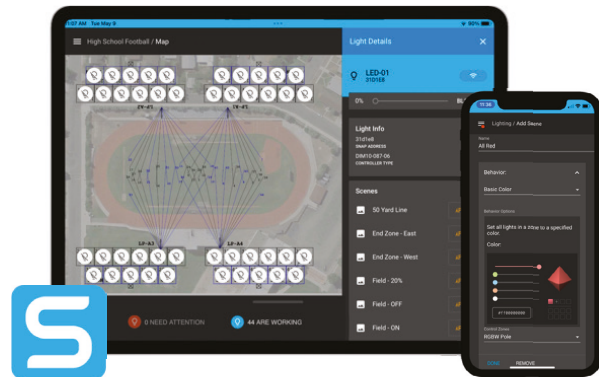
ESL Vision offers the Synapse Wireless Control System for our Stadia Lighting Series. This system utilizes integrated wireless controllers to connect each light to the Synapse SimplySnap Mesh Network. Here the status and programming of each light in the network can be addressed using a web browser based user interface. The user can choose to use **SimplySnap Local** or **SimplySnap Cloud LM-Base** to connect to each light in the system. The SNAP system offers enhanced back-up, management of multiple sites, outage notifications and performance reports.

- SIMPLE INSTALLATION ALLOWS FOR EASY PRE OR POST INSTALLATION
- WIRELESSLY CONTROL DYNAMIC LIGHTING SETTINGS FROM YOUR PHONE, COMPUTER OR BASE STATION
- CONTROL INDIVIDUAL FIXTURES OR GROUPS OF FIXTURES
- CREATE CUSTOM SCENES OR DYNAMIC BEHAVIORS



SimplySnap Local

- Local management of lights, zones, scenes and schedule
- No internet required
- Built-in WiFi AP or Ethernet
- Browser based app
- Push-button control (CBS)



SimplySnap Cloud LM-Base

- Progressive web app
- Cloud map, scenes and schedules
- Access from anywhere
- Multi-site management
- Single UI across multiple gateways
- Energy reporting
- Cloud user account levels
- Automatic Backups

CONTACT YOUR REPRESENTATIVE TO LEARN MORE

