

Product Features:

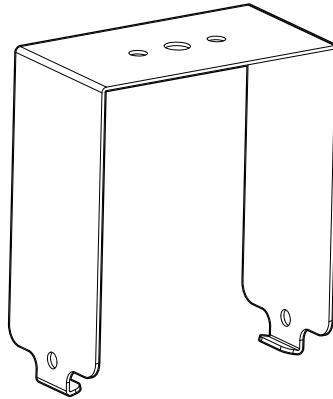
- Secure Surface Mount Kit

Project: _____

Date: _____

Catalog #: _____

Notes: _____

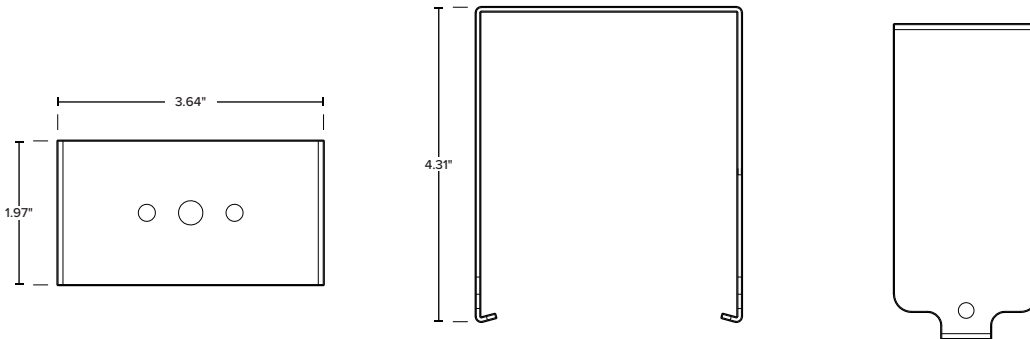


Ordering Guide:

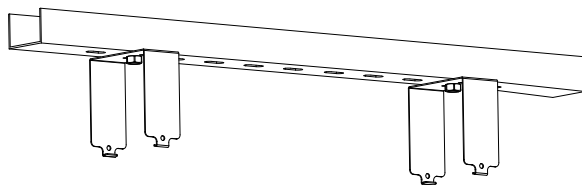
ESL	-	TYPE	-	GENERATION	-	MOUNT
ESL	-	LHB <small>(LHB) Linear High Bay</small>	-	5 <small>(5) 5th Gen</small>	-	SM <small>(SM) Surface Mount</small>

Dimensions:

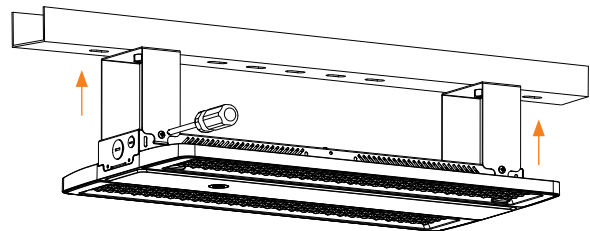
LHB5 Surface Mount



Surface Mount Installation



1 Mount the optional bracket (sold separately) on a suitable surface such as a stable beam or the ceiling.



2 Assemble the fixture on the bracket and secure with screws.