

Key Features & Benefits:

- Multiple Mounting Options – Enables Flexible Installation in Any Application
- 20' Factory-Installed Cord Set – Simplifies Field Wiring and Setup
- Zhaga Base – Ready for Field-Installable Synapse® Wireless Controls
- Standard 20-Year Warranty – Long-Term Performance Assurance
- Built-In NLC Receptacle
- Precision Optics – Available in Multiple Beam Options for Targeted Illumination

Technical Specifications:

Selectable Wattage: 600W–700W–800W
 Kelvin: 5000K
 Lumens: Up to 114,000
 Efficacy (lm/W): Up to 140
 Input Voltage: 200–480 VAC
 Input Frequency: 50/60Hz
 Power Factor: >0.9
 Surge Protection: 6kV
 Operating Temperature: -40°F to 113°F (-40°C to 45°C)
 Dimming: 0–10V
 CRI: >70
 Beam Angle: 20°, 35°, 55°, or 90°
 THD: <20%
 L70 Lifetime Calculated per TM21: 43,800 hrs
 Overall Dimensions (LxWxH): 26.2" x 18.7" x 13.8"
 Weight: 44 lbs
 Warranty: 20 Years



Project: _____ Date: _____
 Catalog #: _____
 Notes: _____



Ordering Guide:

ESL	TYPE	SELECTABLE WATTAGE	GENERATION	KELVIN	BEAM ANGLE	MOUNT
ESL	SPTA <small>(SPTA) Stadia Aero</small>	600800W <small>(600800W) 600W–700W–800W</small>	1 <small>(1) 1st Generation</small>	50 <small>(50) 5000 Kelvin</small>	XX <small>(20) 20° (35) 35° (55) 55° (90) 90°</small>	XX <small>(BLANK) Trunnion Mount (RM) Retrofit Mount (SF) Slip Fitter (RMRM) Remote Mount, Retrofit Mount* (RTM) Remote Mount, Trunnion* (RMSF) Remote Mount, Slip Fitter*</small>

* Fixture ships with 60' (2) wire 12AWG cord set and driver ships separate.

FIELD INSTALLED ACCESSORIES

ESL-SPT-LASER	Sports Light Laser Aiming Device
Synapse Wireless Control System	Contact Rep to Build
ESL-SPT-ENC8	Stadia Remote Mount Enclosure for 8 Drivers

Catalog Data:

ITEM#	SELECTABLE WATTAGE	LUMENS	EFFICACY lm/W	KELVIN	OPERATING TEMP	DIMENSIONS	INPUT VOLTAGE
ESL-SPTA-600800W-150	600W-700W-800W	Up to 114,000	Up to 140	5000K	-40°F to 113°F (-40°C to 45°C)	26.2" x 18.7" x 13.8"	200-480 VAC

Mount Types:

Trunnion Mount



Description

Default Trunnion Mount for SPTA

Slip Fitter Mount



Description

Slip Fitter Mount for SPTA

Retrofit Mount



Description

Retrofit Mount for SPTA

Accessories:

SPT Laser



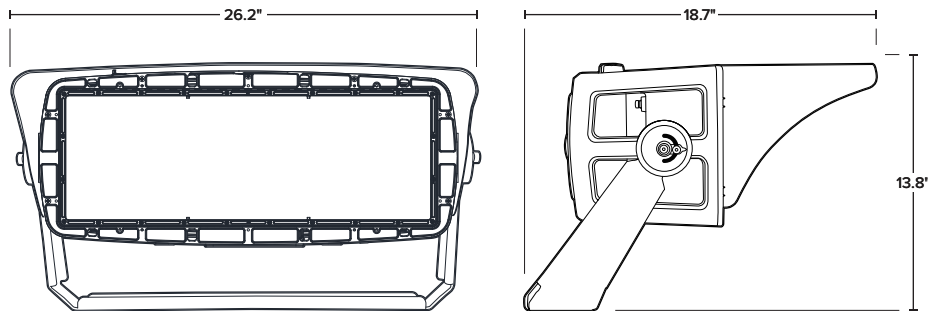
Description

SPTA Laser Aiming Device

Electrical Load – Standard Voltage:

SYSTEM WATTS	INPUT CURRENT				INPUT VOLTAGE	INPUT FREQUENCY	POWER FACTOR	THD	OPERATING TEMPERATURE	DIMMING
	200 VAC	277 VAC	347 VAC	480 VAC						
600	3.00	2.17	1.73	1.25	200-480 VAC	50/60 Hz	≥0.9	<20%	-40°F to 113°F (-40°C to 45°C)	0-10V Dimming
700	3.50	2.53	2.02	1.46						
800	4.00	2.89	2.31	1.67						

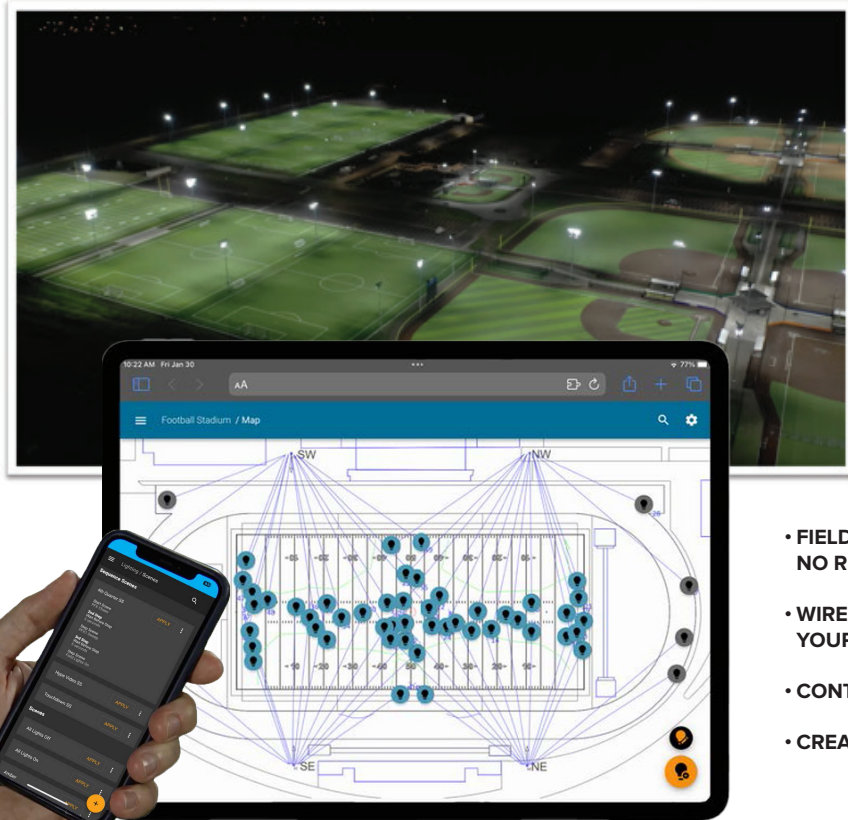
Dimensions:



ITEM#	A	B	C
ESL-SPTA-600800W-150	26.2"	18.7"	13.8"

Lumen Ambient Temperature (LAT) Multipliers:

AMBIENT	LUMEN MULTIPLIER	
0 °C	32 °F	1.02
10 °C	50 °F	1.01
20 °C	68 °F	1.00
25 °C	77 °F	1.00
30 °C	86 °F	1.00
40 °C	104 °F	0.99
50 °C	122 °F	0.96



SYNAPSE

SYNAPSE WIRELESS CONTROL SYSTEM

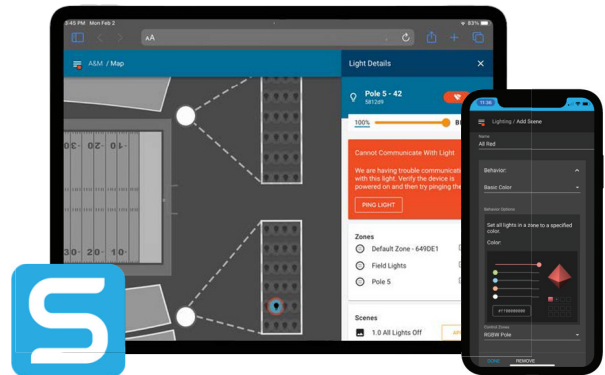
ESL Vision offers the Synapse Wireless Control System for our Stadia Lighting Series. This system utilizes integrated wireless controllers to connect each light to the Synapse SimplySnap Mesh Network. Here the status and programming of each light in the network can be addressed using a web browser based user interface. The user can choose to use **SimplySnap Local** or **SimplySnap Cloud LM-Base** to connect to each light in the system. The SNAP system offers enhanced back-up, management of multiple sites, outage notifications and performance reports.

- **FIELD-INSTALLABLE BEFORE OR AFTER FIXTURE MOUNTING, NO REWIRING REQUIRED**
- **WIRELESSLY CONTROL DYNAMIC LIGHTING SETTINGS FROM YOUR PHONE, COMPUTER OR BASE STATION**
- **CONTROL INDIVIDUAL FIXTURES OR GROUPS OF FIXTURES**
- **CREATE CUSTOM SCENES OR DYNAMIC BEHAVIORS**



SimplySnap Local

- Local management of lights, zones, scenes and schedule
- No internet required
- Built-in WiFi AP or Ethernet
- Browser based app
- Push-button control (CBS)



SimplySnap Cloud LM-Base

- Progressive web app
- Cloud map, scenes and schedules
- Access from anywhere
- Multi-site management
- Single UI across multiple gateways
- Energy reporting
- Cloud user account levels
- Automatic Backups

CONTACT YOUR REPRESENTATIVE TO LEARN MORE