

Key Features & Benefits:

- Kelvin & Wattage Selectable
- Built In On/Off Photocell
- Occupancy and Emergency Options

Project: _____

Date: _____

Catalog #: _____

Notes: _____

Product Specifications:

Selectable Wattage: 80W–100W–120W
 Lumen Output: Up to 16,965 Lumens
 Efficacy (lm/W): Up to 141
 Kelvin: 3000K–4000K–5000K
 CRI: >80
 Dimming: 0–10V Dim to Off
 Power Frequency: 50/60Hz
 Power Factor: >0.9
 Operating Temperature: -40°F to 122°F (-40°C to 50°C)
 Input Voltage: 120–277VAC
 Beam Angle: Type 2
 Estimated L70 Lifetime 165,000 hrs Calculated Per TM21
 Warranty: 5 Year Warranty
 Dimensions: 13.28" x 9.36" x 8.11"
 Product Weight: 9.26 lbs
 Default Settings: 120W, 5000K
 Default Photocell: On



Ordering Guide:

ESL	TYPE	WATTAGE	GENERATION	KELVIN	FINISH	OPTIONS
ESL	FCWP	80120W	3	3050	BZ	
	(FCWP) Full Cut Off Wall Pack	(2060W) 20W–40W–60W (80120W) 80W–100W–120W	(3) 3rd Generation	(3050) 3000K–4000K–5000K	(BZ) Bronze	

FACTORY INSTALLED OPTIONS

EM9 Emergency Backup Battery Unit, Auto Test Function, 9 Watts Output, 90 Minutes Min, 120–277 VAC Input, 30–200 VDC Output, Closed Lead Wiring, UL Listed for Factory Installation

FIELD INSTALLED ACCESSORIES

ESL-OCCP-LV-02 PIR Occupancy
 ESL-REM-LV-02 Occupancy Sensor Remote

Catalog Data:

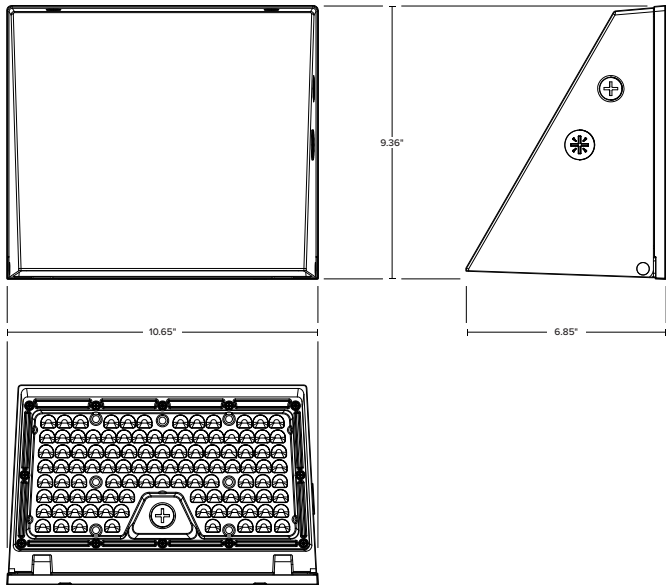
ITEM#	SELECTABLE WATTAGE	SELECTABLE KELVIN	MAX LUMEN OUTPUT	EFFICACY (lm/W)	DIMENSIONS	DLC QPL CODE
ESL-FCWP-2060W-33050-BZ	20W-40W-60W	3000K-4000K-5000K	8,560	143	10.65" x 9.36" x 6.85"	S-5XLZWZ
ESL-FCWP-80120W-33050-BZ	80W-100W-120W		16,965	141	13.28" x 9.36" x 8.11"	S-09MP4J

Electrical Load – Standard Voltage:

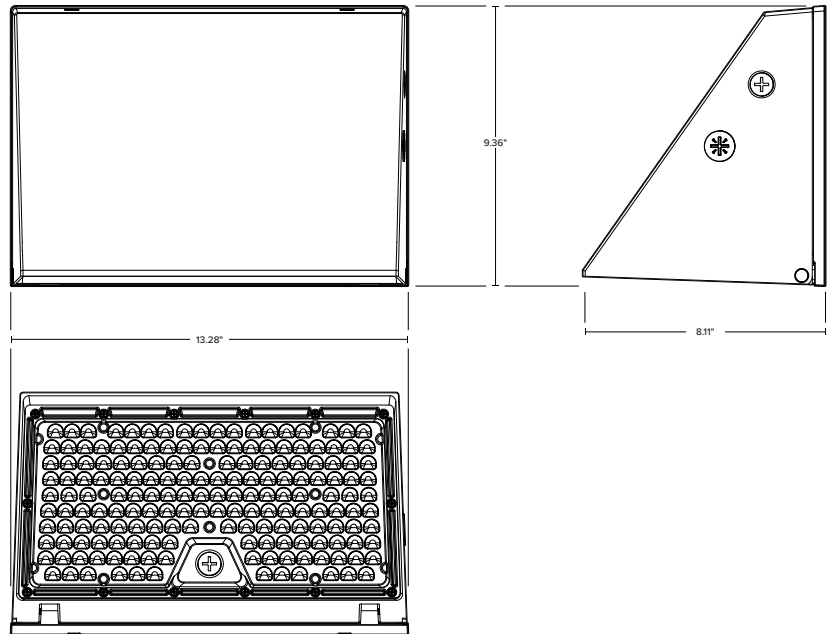
SYSTEM WATTS	INPUT CURRENT				INPUT WATTAGE	INPUT FREQUENCY	POWER FACTOR	THD	OPERATING TEMPERATURE	SURGE PROTECTION	DIMMING
	120 VAC	208 VAC	240 VAC	277 VAC							
20	0.17	0.10	0.08	0.07	120-277 VAC	50/60 Hz	>0.9	<20%	-40°F to 122°F (-40°C to 50°C)	6kV Driver	0-10V Dim to Off
40	0.33	0.19	0.17	0.14	120-277 VAC	50/60 Hz	>0.9	<20%	-40°F to 122°F (-40°C to 50°C)	6kV Driver	0-10V Dim to Off
60	0.50	0.29	0.25	0.22	120-277 VAC	50/60 Hz	>0.9	<20%	-40°F to 122°F (-40°C to 50°C)	6kV Driver	0-10V Dim to Off
80	0.67	0.38	0.33	0.29	120-277 VAC	50/60 Hz	>0.9	<20%	-40°F to 122°F (-40°C to 50°C)	6kV Driver	0-10V Dim to Off
100	0.83	0.48	0.42	0.36	120-277 VAC	50/60 Hz	>0.9	<20%	-40°F to 122°F (-40°C to 50°C)	6kV Driver	0-10V Dim to Off
120	1.00	0.58	0.50	0.43	120-277 VAC	50/60 Hz	>0.9	<20%	-40°F to 122°F (-40°C to 50°C)	6kV Driver	0-10V Dim to Off

Dimensions:

ESL-FCWP-2060W-33050-BZ

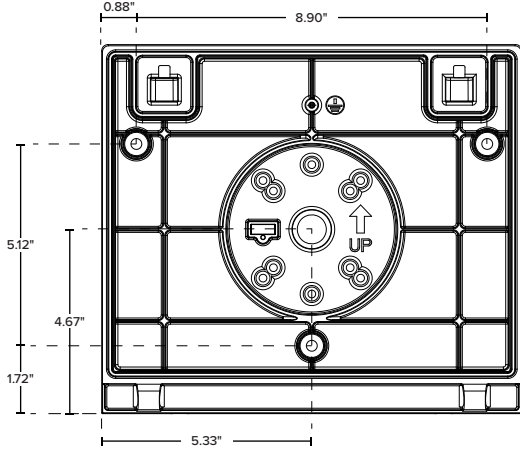


ESL-FCWP-80120W-33050-BZ

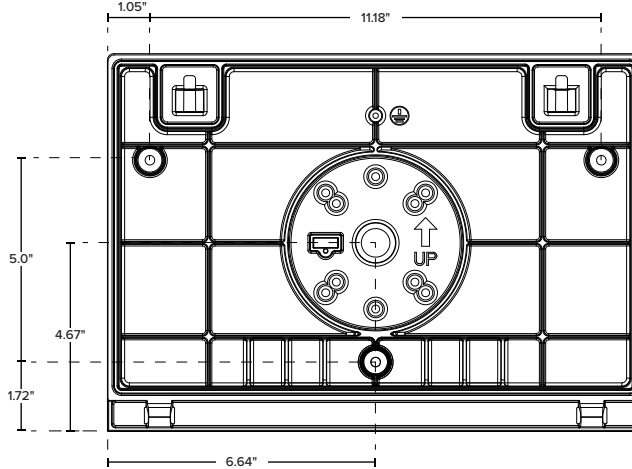


Mounting Dimensions:

ESL-FCWP-2060W-33050-BZ



ESL-FCWP-80120W-33050-BZ



Lumen Ambient Temperature (LAT) Multipliers:

AMBIENT		LUMEN MULTIPLIER
0 °C	32 °F	1.02
10 °C	50 °F	1.01
20 °C	68 °F	1.00
25 °C	77 °F	1.00
30 °C	86 °F	1.00
40 °C	104 °F	0.99
50 °C	122 °F	0.96