

Key Features & Benefits:

- PIR Occupancy Control
- Works with Versa Series Fixtures
- Fully Adjustable High and Low Dimmed Light Levels
- Provides On/Off Switching
- 0–10V Dimming Control
- Programmable via Remote Control
- Adjustable Hold Time and Stand-by Time
- Set Hold Time from 10 Seconds to 60 Minutes

Product Specifications:

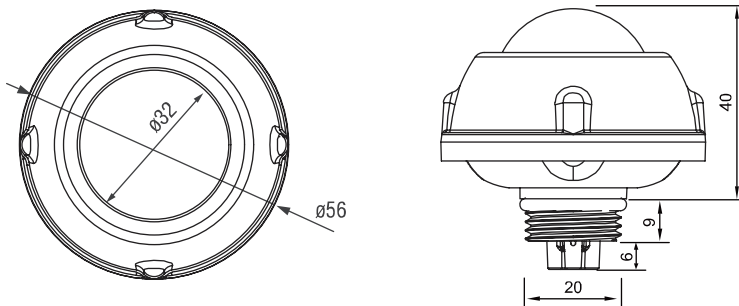
Sensor Type: PIR Occupancy Sensor
 Power Supply: 12–24 VDC
 Dimming Control Output: 0–10V Max, 25mA Sinking Current
 Detection Radius/Angle: Max 26ft (8m)/360°
 Mounting Height: 40ft Max
 Remote Range: up to 50ft, indoor, no backlight
 Humidity: Max 95% RH
 Water Rating: IP65
 Temperature: -4°F to 140°F (-20°C to 60°C)



Catalog Data:

ITEM#	COLOR	DESCRIPTION
ESL-OCCP-LV-02	WHITE	Stand alone PIR occupancy sensor, 12V–24 VDC, uses REM-LV02 for programming, wet rated, white finish, field installable
ESL-REM-LV02	BLACK	Remote control for OCCP-LV-02

Dimensions

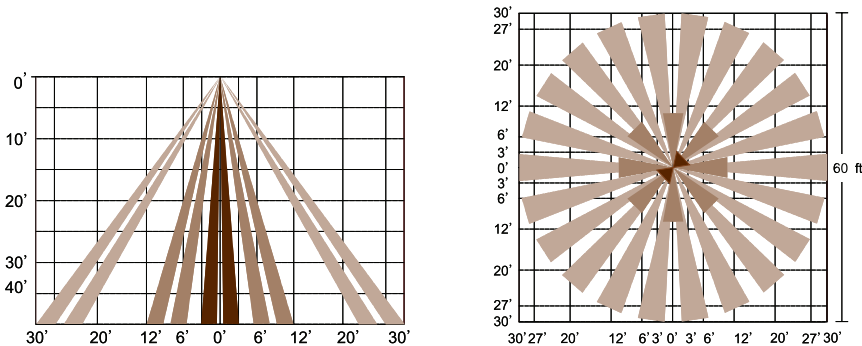


ESL-REM-LV02*

*ESL-REM-LV02 Sold Separately



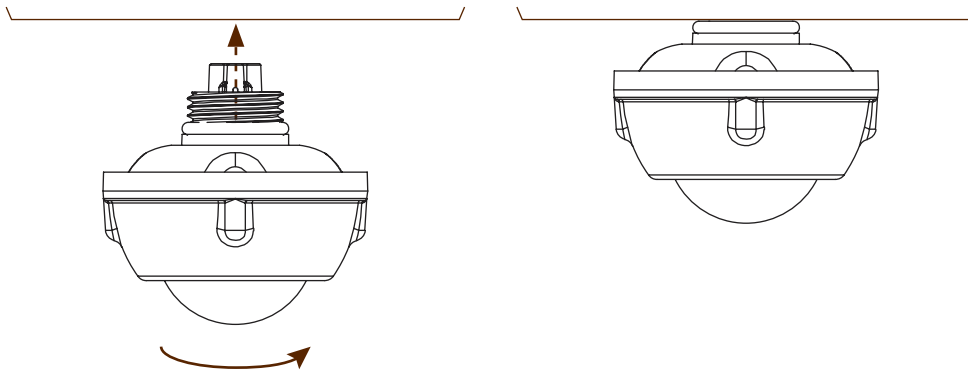
Coverage



*[2] AAA Batteries Not Included with REM-LV02

Installation

The **ESL-OCCP-LV-02** is easily installed with a simple twist lock.



1 Plug in the sensor and twist clockwise to lock in place.

2 Program the desired settings using the **ESL-REM-LV02 Infrared Remote**



Simple Remote Programming

The **ESL-REM-LV02 INFRARED REMOTE** is used to program the **ESL-OCCP-LV-02**. (sold separately)

Please Note: **THIS SENSOR DOES NOT HAVE A PHOTOCELL.**

The daylight instructions for the remote do not apply.

LED Indicators

BRIGHTNESS – select a level to determine the maximum lumen level at full power.

SENSITIVITY – determines how reactive the sensor will be to movement. Range and sensitivity will vary based upon the sensor installed.

HOLD TIME – the duration that the light will remain on without detecting movement before dimming or turning off.

DAYLIGHT SENSOR – uses the photocell to adjust the LED output in conjunction with the ambient light to provide consistent lighting regardless of environmental changes. Select the **EYE** (👁️) to use a value based on the current ambient light. The numbered values correspond the footcandle conversions listed below. The **SUN** (☀️) disables the photocell and will run the programmed settings regardless of ambient lighting.

STAND-BY – DIM will determine the maximum lumens to be used when there is no activity detected. A setting of 0% will keep the light from dimming. **TIME** will determine how long the light will remain at the dimming level before shutting off completely. Setting the time to (∞) will make the light remain on.

DEFAULT SETTINGS

Brightness: 100%
Sensitivity: 100%
Hold Time: 15min
Stand-by Dim: 30%
Stand-by Time: ∞ always on

Button Operation:

ON/OFF (ON/OFF) – Long press the ON/OFF button until the brightness indicator light is on. Press to turn on or off the fixture.

BRIGHTNESS (🌞) – Press to adjust the dimming level.

SEND (SEND) – Upload and activate the current selections. The light will turn on and off to confirm. Changing the remote settings will not change the sensor settings without pressing **SEND**.

HOLD TIME (🕒) – Press to adjust the hold time.

STANDBY DIM (🌙) – Press to adjust the stand by dimming level.

STANDBY TIME (🕒) – Press to adjust the stand by time.

SENSITIVITY (👁️) – Press to adjust the sensitivity. Note: PIR motion sensing uses no sensitivity setting, the default is 100%.

DAYLIGHT (👁️) – Long press the button until the daylight indicator light is on, press to adjust the threshold.

RESET (🔄) – Note: Press the RESET button to reset the sensor when the current setting of the sensor is forgotten or any error is found on the setting of program, and the sensor parameters will be adjusted to the initial setting as “Brightness: 70%, hold time: 10s, stand-by dim: 10%, stand-by time: +∞, sensitivity: 20%, daylight: off.”, and then adjust each parameters in turn and press the SEND button. The lamp flashes once indicating the setting is delivered successfully.

PLUS (+) – Press to increase brightness.

MINUS (-) – Press to reduce brightness.

TEST (TEST) – For testing purposes after debugging, hold for 3 seconds to activate.