

Key Features & Benefits:

- Field or Factory Installation—UL 924 and CSA C22.2 No. 141 Emergency Lighting Compliant
- Meets CEC Title 20 Requirements.
- Monthly and Yearly Auto Test Function for Reduced Maintenance.
- Meets or exceeds all NEC emergency lighting standards
- Compatible With AC Input Lamps And DC Output Drivers
- Slim Profile Design
- Constant Power Output Provides 90 Minutes of Consistent Egress Lighting with No Degradation
- Lithium-ion Battery (7–10 Year Life Expectancy with >1000 Charging Cycles)
- 2-Wire Illuminated Test Switch Included

Project: _____ Date: _____
 Catalog #: _____
 Notes: _____

Product Specifications:



Input

Rated Current: 150 mA (Max)
 AC Input Power Rating: 10W
 Rated Voltage: 100–347 VAC 50/60Hz

Output

Emergency Output Power: 8W (Max)
 Output Voltage: 170 VDC

Emergency

Emergency Operation: 90 Minutes
 Charging Time: 24 Hours
 Charging Cycles: 1,000

Environment

Operating Temperature: 41° to 122°F (5° to 50°C)
 Dimensions (LxWxH):
 Driver: 7.32" x 1.50" x 0.99"
 Battery: 4.25" x 1.63" x 0.99"
 Weight (lbs): 1.54



Ordering Guide:

ESL	FAMILY	TYPE	FRAME	OUTPUT POWER
ESL	EMG (EMG) Emergency	SL6 (SL6) Family	OTB (OTB) Open Terminal Block	8W (8W) 8 Watts (18W) 18 Watts

Catalog Data:

ITEM#	DESCRIPTION
ESL-EMG-SL6-OTB-8W	Emergency Backup Battery Unit, Auto Test, 8W Output, 90 Min, 100-347 VAC Input, 170 VDC Output, Open Terminal Block Wiring, Li-ion Battery, UL Listed
ESL-EMG-SL6-OTB-18W	Emergency Backup Battery Unit, Auto Test, 18W Output, 90 Min, 100-347 VAC Input, 170 VDC Output, Open Terminal Block Wiring, Li-ion Battery, UL Listed

Emergency Lumen Output:

FIXTURE EFFICACY	OUTPUT POWER (8W)	OUTPUT POWER (18W)
100 lm/W	800 Lumens	1,800 Lumens
120 lm/W	960 Lumens	2,160 Lumens
140 lm/W	1,120 Lumens	2,520 Lumens

Operation (Indicator Status)

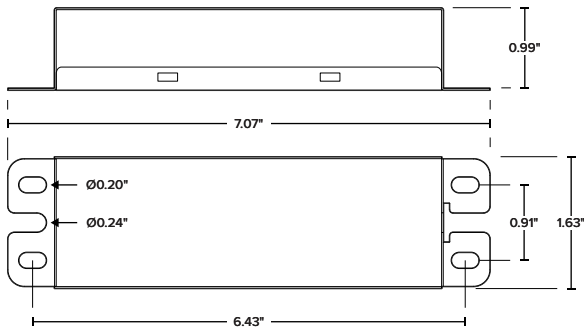
MODE	TEST BUTTON OPERATION	INDICATOR STATUS	SOLUTION
AC Mode (1)	NO Press	ON (no flashing)	Emergency LED driver is charging.
AC Mode (2)	Press Once	2s ON and 2s OFF (slow flashing)	Emergency LED driver is conducting a 30s short-term emergency test. After 30 seconds, it will automatically return to normal charging mode.
AC Mode (3)	Press Twice (2s) in Sequence	2s ON and 2s OFF (slow flashing)	Emergency LED driver is conducting a long-term emergency test until battery is fully discharged.
Emergency Mode	NO Press	2s ON and 2s OFF (slow flashing)	Emergency LED driver is conducting a long-term emergency test until battery is drained of power.
Abnormal	When flashes ON (50ms) and OFF (50ms) fast, the emergency backup is abnormal. Contact the manufacturer.		

WARNING
Risk of Electrical Shock

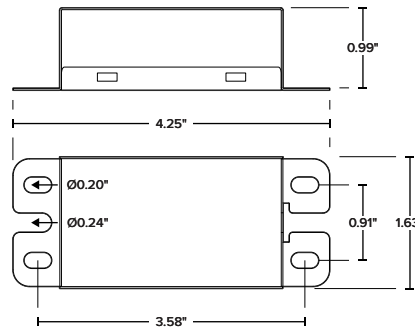
Note: Please press test button once to make certain the battery is turned off before installation, maintenance, storage or shipping.

Dimensions:

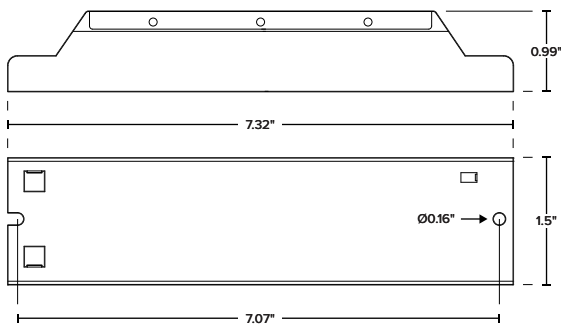
Emergency Battery
ESL-EMG-SL6-OTB-18W
7.07" x 1.63" x 0.99"



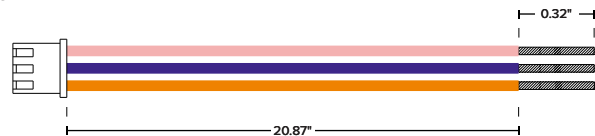
Emergency Battery
ESL-EMG-SL6-OTB-8W
4.25" x 1.63" x 0.99"



Emergency Driver
ESL-EMG-SL6-OTB-8W, ESL-EMG-SL6-OTB-18W
7.32" x 1.50" x 0.99"

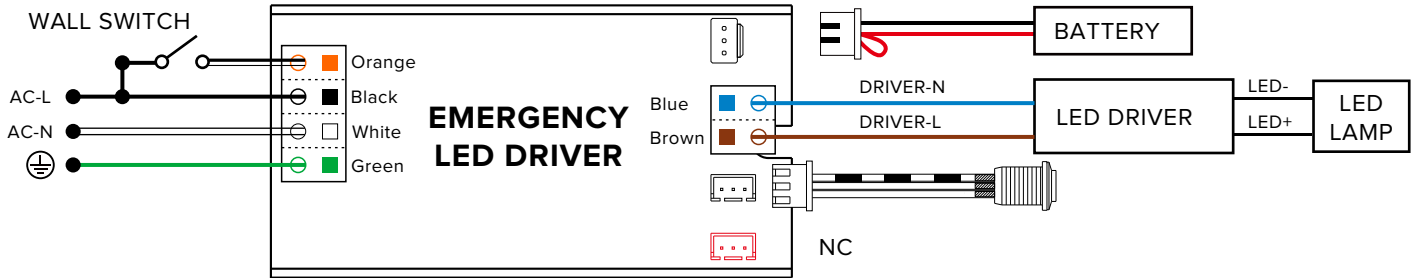


Dimming Wires
ESL-EMG-SL6-OTB-8W, ESL-EMG-SL6-OTB-18W
20.87"

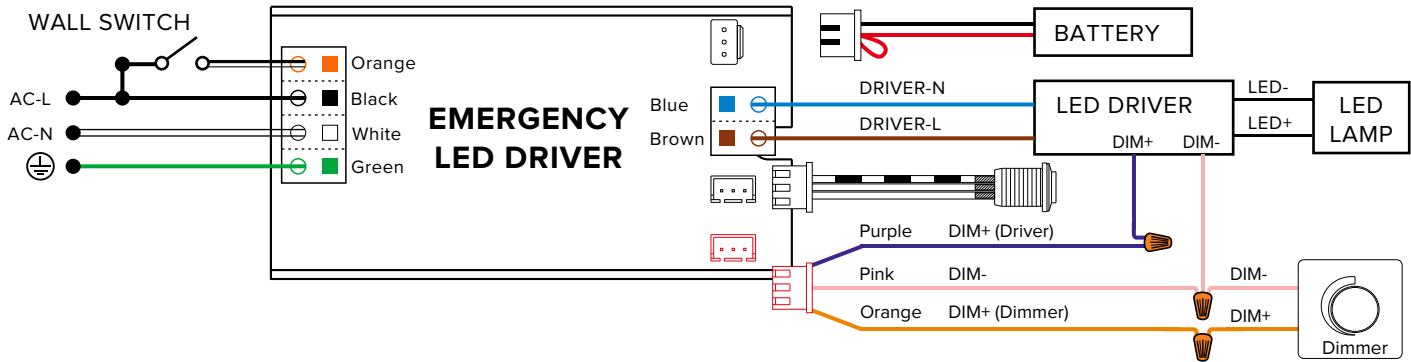


Wiring Diagrams:

Standard Installation



Dimmable Fixture Installation



DC Sensor Installation

