

Key Features & Benefits:

- Field or Factory Installation—UL 924 and CSA C22.2 No. 141 Emergency Lighting Compliant
- Meets CEC Title 20 Requirements.
- Monthly and Yearly Auto Test Function for Reduced Maintenance.
- Meets or exceeds all NEC emergency lighting standards
- Compatible With AC Input Lamps And DC Output Drivers
- Slim Profile Design
- Constant Power Output Provides 90 Minutes of Consistent Egress Lighting with No Degradation
- Lithium-ion Battery (7–10 Year Life Expectancy with >1000 Charging Cycles)
- 2-Wire Illuminated Test Switch Included

Project: _____ Date: _____
 Catalog #: _____
 Notes: _____

Product Specifications:



Input

Rated Current: 150 mA (Max)
 AC Input Power Rating: 10W
 Rated Voltage: 100–347 VAC 50/60Hz

Output

Emergency Output Power: 18W (Max)
 Output Voltage: 170 VDC

Emergency

Emergency Operation: 90 Minutes
 Charging Time: 24 Hours
 Charging Cycles: 1,000

Environment

Operating Temperature: 41° to 122°F (5° to 50°C)
 Dimensions (LxWxH):
 Driver: 7.32" x 1.50" x 0.99"
 Battery: 7.07" x 1.63" x 0.99"
 Weight (lbs): 1.54



Ordering Guide:

| ESL | FAMILY | TYPE | FRAME | OUTPUT POWER |
|-----|------------------------|---------------------|----------------------------------|---------------------------------------|
| ESL | EMG (EMG) Emergency | SL6 (SL6) Family | OTB (OTB) Open Terminal Block | 18W (8W) 8 Watts (18W) 18 Watts |

Catalog Data:

| ITEM# | DESCRIPTION |
|---------------------|--|
| ESL-EMG-SL6-OTB-8W | Emergency Backup Battery Unit, Auto Test, 8W Output, 90 Min, 100-347 VAC Input, 170 VDC Output, Open Terminal Block Wiring, Li-ion Battery, UL Listed |
| ESL-EMG-SL6-OTB-18W | Emergency Backup Battery Unit, Auto Test, 18W Output, 90 Min, 100-347 VAC Input, 170 VDC Output, Open Terminal Block Wiring, Li-ion Battery, UL Listed |

Emergency Lumen Output:

| FIXTURE EFFICACY | OUTPUT POWER (8W) | OUTPUT POWER (18W) |
|------------------|-------------------|--------------------|
| 100 lm/W | 800 Lumens | 1,800 Lumens |
| 120 lm/W | 960 Lumens | 2,160 Lumens |
| 140 lm/W | 1,120 Lumens | 2,520 Lumens |

Operation (Indicator Status)

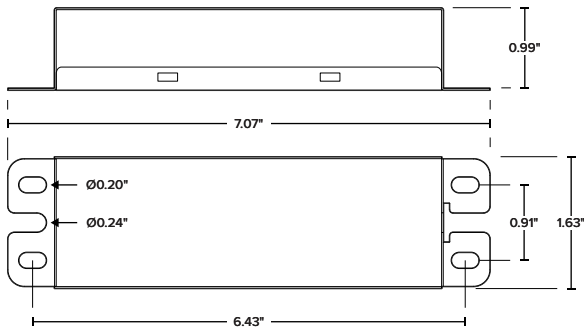
| MODE | TEST BUTTON OPERATION | INDICATOR STATUS | SOLUTION |
|----------------|---|----------------------------------|---|
| AC Mode (1) | NO Press | ON (no flashing) | Emergency LED driver is charging. |
| AC Mode (2) | Press Once | 2s ON and 2s OFF (slow flashing) | Emergency LED driver is conducting a 30s short-term emergency test. After 30 seconds, it will automatically return to normal charging mode. |
| AC Mode (3) | Press Twice (2s) in Sequence | 2s ON and 2s OFF (slow flashing) | Emergency LED driver is conducting a long-term emergency test until battery is fully discharged. |
| Emergency Mode | NO Press | 2s ON and 2s OFF (slow flashing) | Emergency LED driver is conducting a long-term emergency test until battery is drained of power. |
| Abnormal | When flashes ON (50ms) and OFF (50ms) fast, the emergency backup is abnormal. Contact the manufacturer. | | |

WARNING
Risk of Electrical Shock

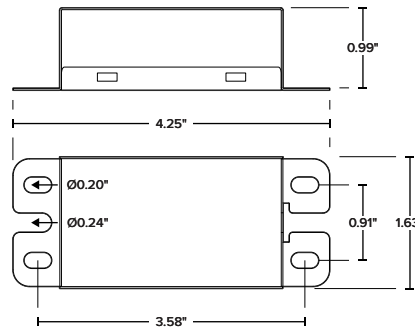
Note: Please press test button once to make certain the battery is turned off before installation, maintenance, storage or shipping.

Dimensions:

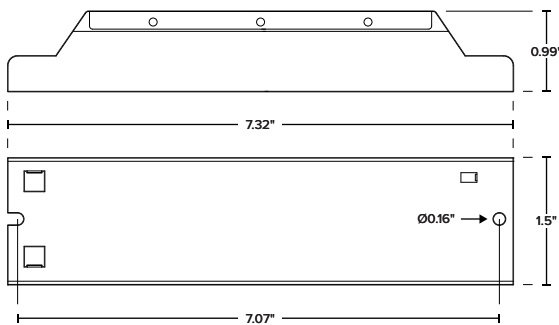
Emergency Battery
ESL-EMG-SL6-OTB-18W
7.07" x 1.63" x 0.99"



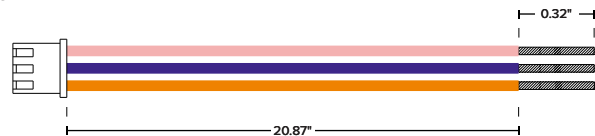
Emergency Battery
ESL-EMG-SL6-OTB-8W
4.25" x 1.63" x 0.99"



Emergency Driver
ESL-EMG-SL6-OTB-8W, ESL-EMG-SL6-OTB-18W
7.32" x 1.50" x 0.99"

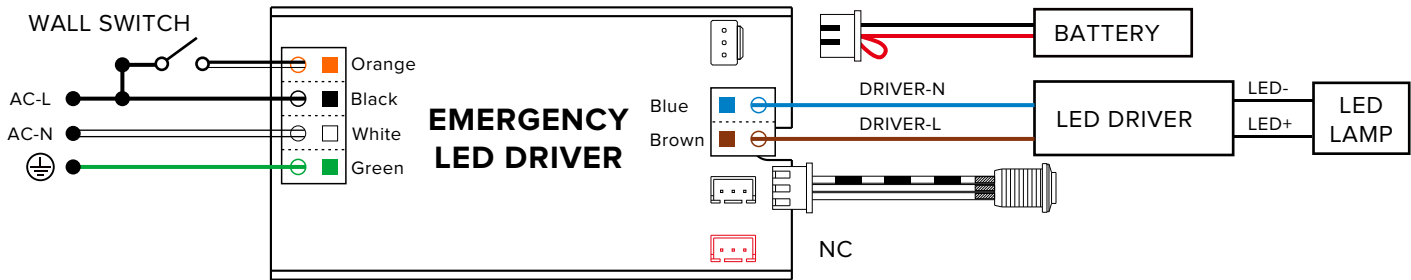


Dimming Wires
ESL-EMG-SL6-OTB-8W, ESL-EMG-SL6-OTB-18W
20.87"

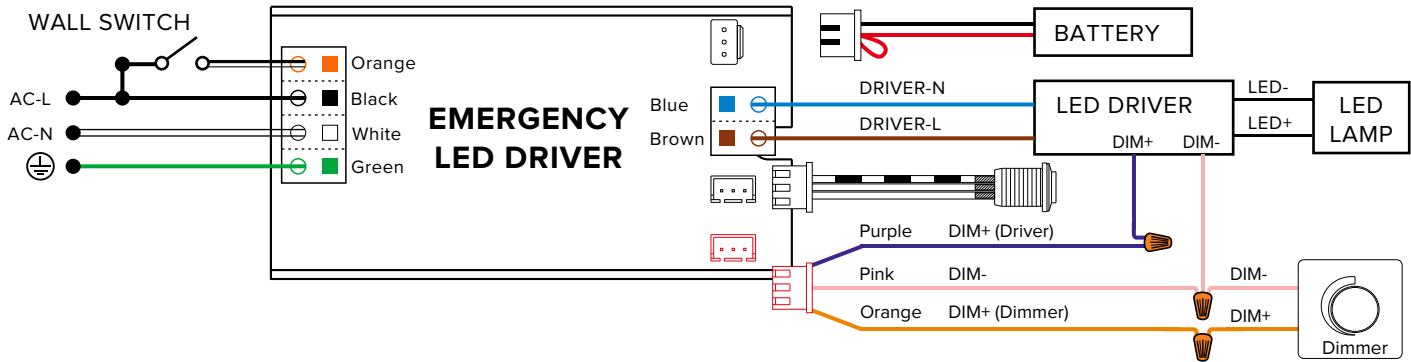


Wiring Diagrams:

Standard Installation



Dimmable Fixture Installation



DC Sensor Installation

