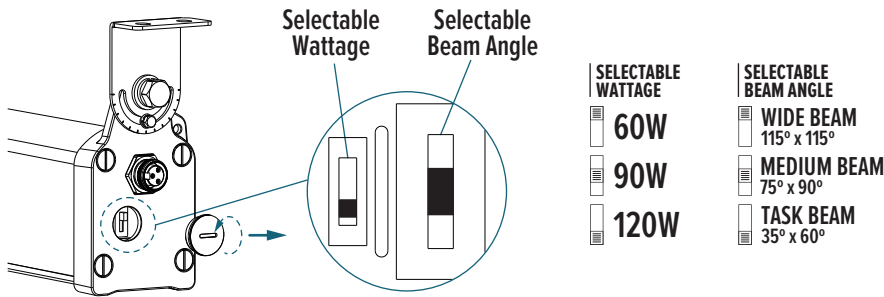


! WARNING

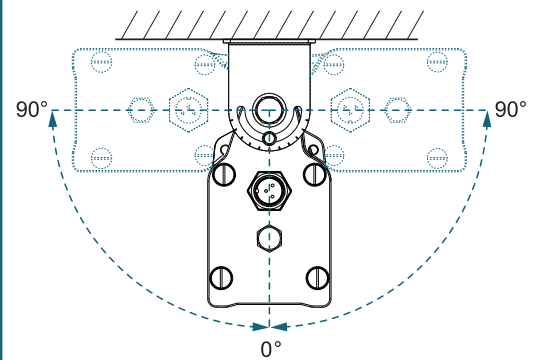
1. To reduce the risk of electric shock, turn off power at the circuit breaker or switch before installation.
2. Installation must be performed by a qualified electrician in accordance with applicable electrical codes.
3. Always disconnect power before servicing or removing the fixture.
4. Do not touch the fixture while it is energized or in operation.
5. If the fixture does not operate properly, turn off power immediately. Do not attempt to repair the fixture unless you are a qualified technician. Contact customer service for assistance.

Wattage and Beam Angle Adjustability

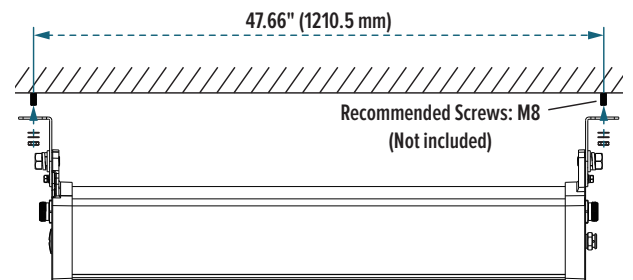
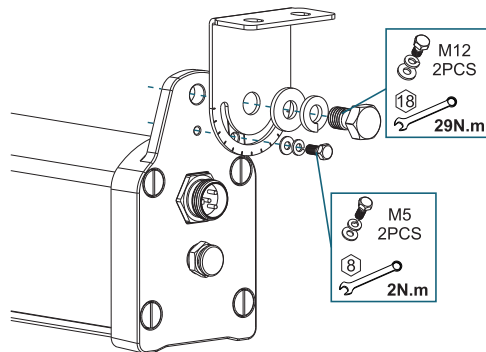
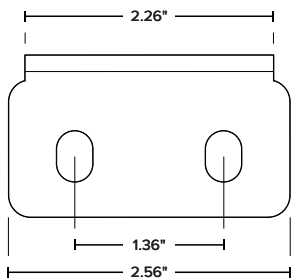


1 Remove plug, adjust the wattage switch and beam angle to the desired setting, replace the plug.

Rotatable Mount Angle



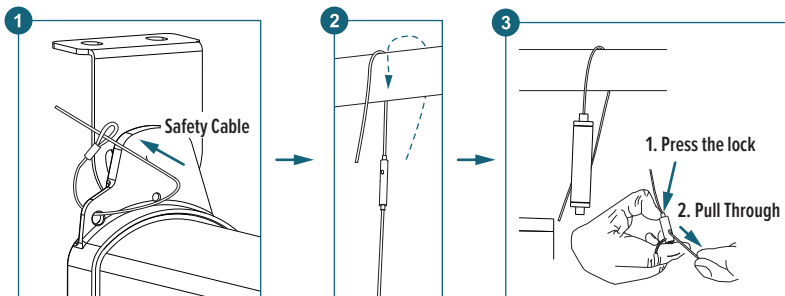
Surface Mount Installation



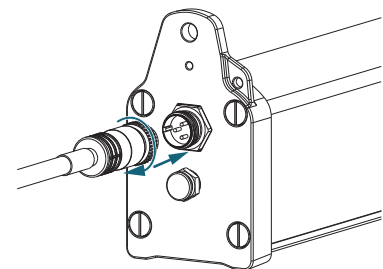
1 Drill pilot holes for surface mount bracket.

2 Use provided bolts and nuts to secure surface mount bracket to fixture.

3 Secure fixture to surface using preferred screws.



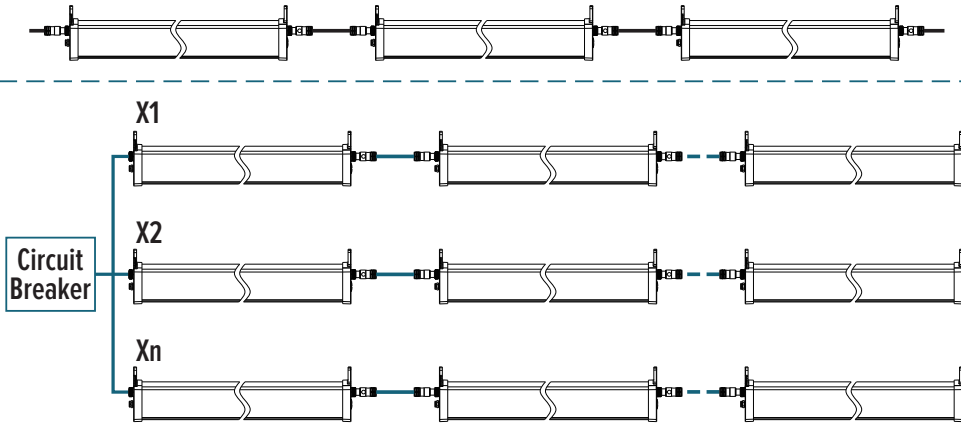
4 Where possible, use the safety cable to additionally secure fixture.



5 Connect fixture to power.

Fixture Linkability Limits

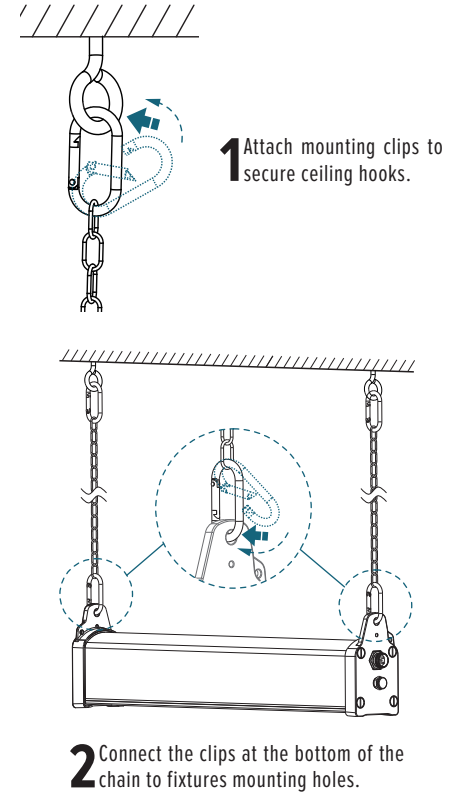
Fixtures can be linked together.



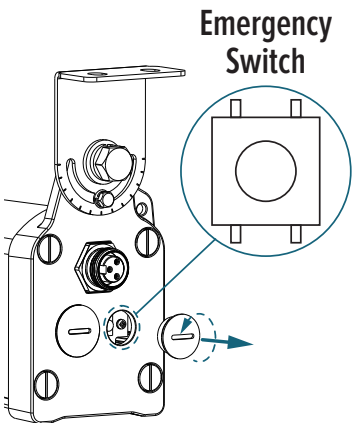
Linking Data Table:

FIXTURE	# OF PINS	CORD MATERIAL	RATING	WIRE	NUMBER OF UNITS LINKED		
					120 VAC	240 VAC	277 VAC
120W	3-Pin	TPE	600V 14A	16AWG	14	28	32
	4-Pin	TPE	600V 10A		10	20	23

Suspension Mount Installation



Emergency Self Test



Test Switch Indicator Status & Troubleshooting

MODE	LED STATE	ERROR	EM DRIVER STATUS/MODE	CORRECTIVE ACTION
Normal Mode	Solid green	None	Battery fully charged, no errors	None
	Solid red	None	Battery is charging	None
	Both LED's off	None	In EMG mode, or EMG battery is depleted	None
	Flashing green	None	Self test is active (See manual test table)	None
Failure Mode	Flashing red	Battery	Battery not connected	Check battery connection
			Battery failure	Contact manufacturer
		Hardware issue	1. Check input AC mains wiring of unswitched hot, neutral, & ground 2. Check fixtures connected wires 3. Contact manufacturer	

Manual Test Indicators

TEST MODE	DESCRIPTION	ACTION	STATUS	END TEST
Fast test	Quick discharge test	Press the test button for 1 second	LED indicator will flash for 5 seconds	Hold the test button for 1 second
Monthly test	30 second test	Hold the test button for 3 seconds	LED indicator will flash for 30 seconds	
Annual test	90 minute test	Hold the test button for 6 seconds	LED indicator will flash for 90 minutes	