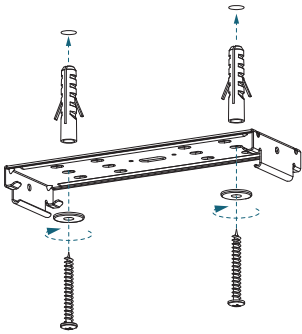


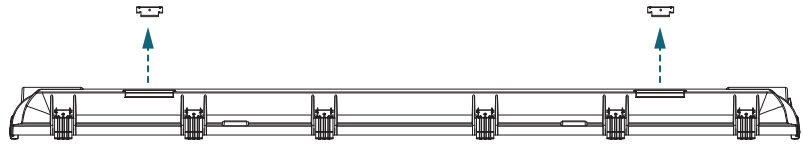
**WARNING**

1. To reduce the risk of electric shock, turn off power at the circuit breaker or switch before installation.
2. Installation must be performed by a qualified electrician in accordance with applicable electrical codes.
3. Always disconnect power before servicing or removing the fixture.
4. Do not touch the fixture while it is energized or in operation.
5. If the fixture does not operate properly, turn off power immediately. Do not attempt to repair the fixture unless you are a qualified technician. Contact customer service for assistance.

### Surface Mount Installation



**1** Drill the fitting holes in the walls or ceiling fit for installation.

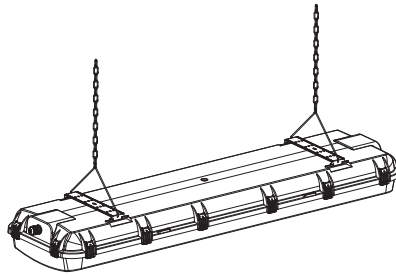


**2** Attach the brackets to the ceiling or wall using screws. Secure fixture housing to the brackets.

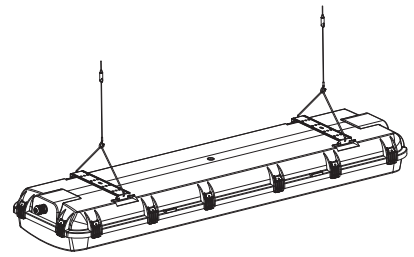
### Pendant Mount Installation



**1** Connect the V-Hook and the chain.

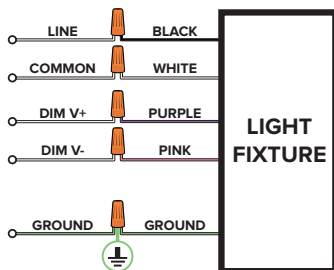


**2** Attach the fixture to the assembled chain.

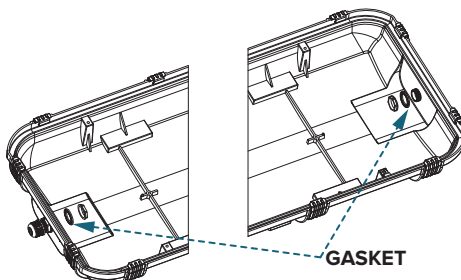


**3** Alternatively, attach to the aircraft cable.

### Wiring Guide



### Gasket Installation



If IP67 is required, install additional gasket at both ends of the lower housing of the fixture