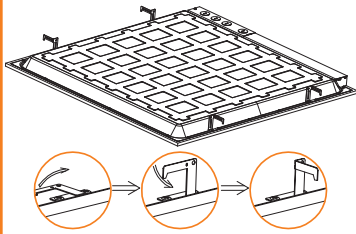




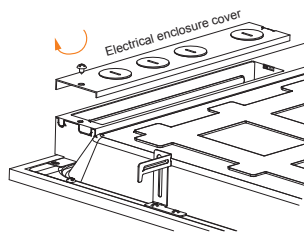
⚠ WARNING

1. To avoid electric shock, disconnect power at source prior to installation.
2. The installation should be performed by qualified electricians or lighting technicians.
3. Before conducting any installation, maintenance, or removal, disable all power.
4. Do not touch the fixture while it is in service.
5. If there is any problem with the fixture, turn off power and **DO NOT** attempt repair unless you are a qualified technician or the customer service member.

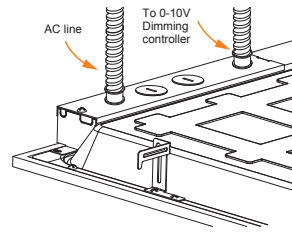
Recessed Installation



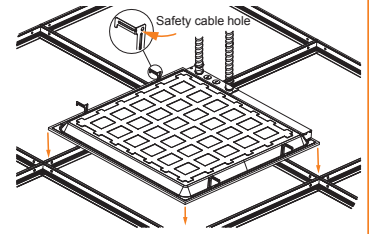
1 Lift up the four mounting clips on the sides of the fixture and twist into position.



2 Remove enclosure cover and remove knockout for AC input and 0-10V control lines. Install fittings in knockout holes if needed.

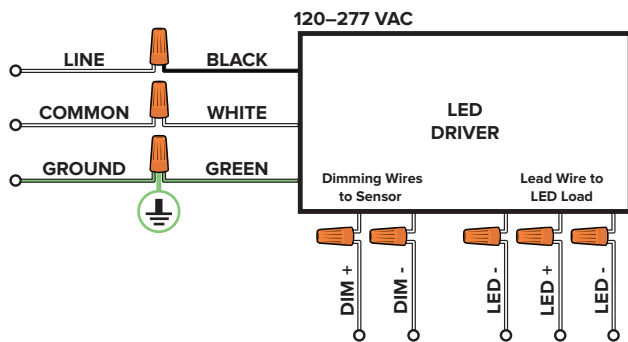


3 Connect the AC line (L, N and GND) to the LED Driver using 18-14AWG wire as shown in **Wiring Diagram 2**. When connecting a 0-10V dimming controller, wires must be run through a separate knockout hole equipped with appropriate electrical fittings.

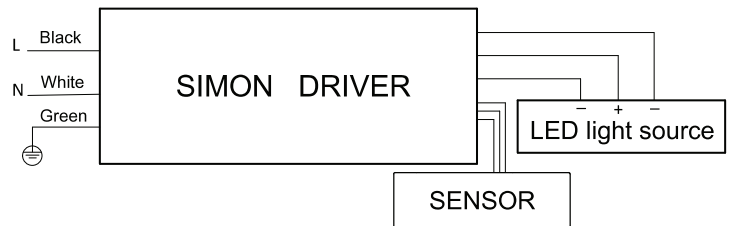


4 Insert into ceiling grid. Use protective brackets as needed for safety.

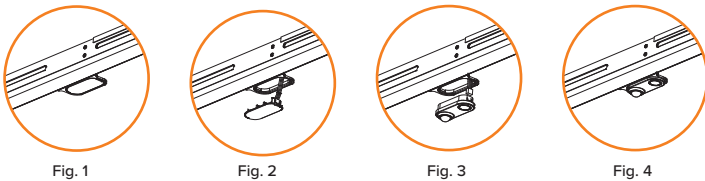
Wiring Diagram 1



Wiring Diagram 2



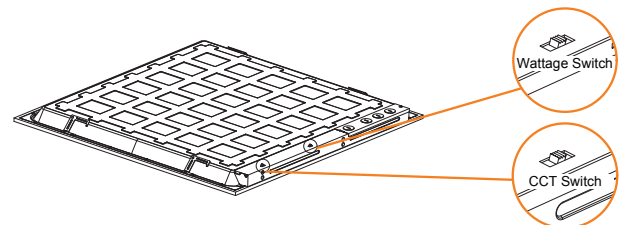
Sensor Installation



An approved sensor may be installed before or after fixture installation.

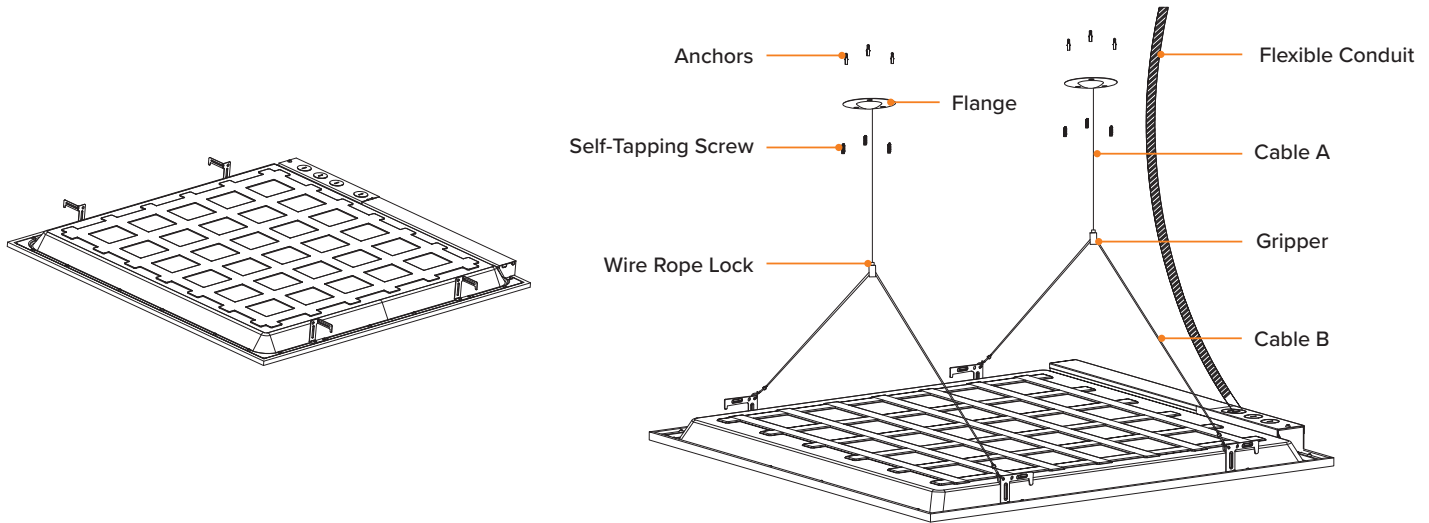
1. Remove the sensor plate.
2. Remove the flat cable from the back of the plate.
3. Insert the cable terminals into the approved sensor.
4. Snap the sensor into the fixture securely.

CCT & Wattage Adjustment



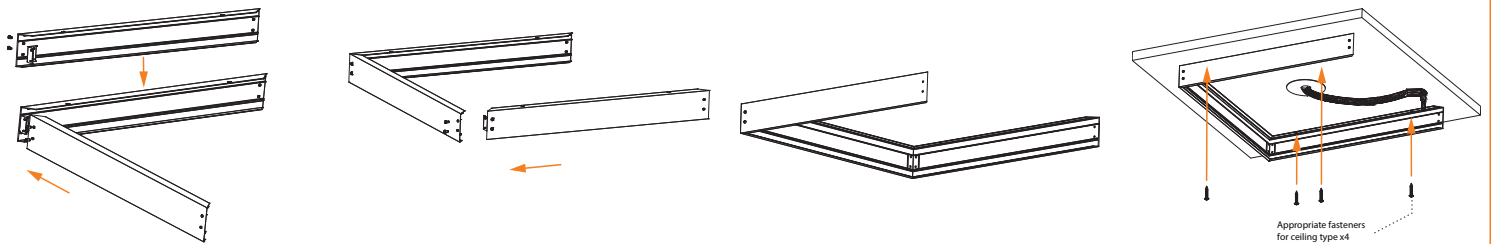
- 1** Kelvin and wattage can be adjusted using the dip switches located on the driver.
- 2** Select the desired kelvin and wattage by adjusting the dip switch.

Cable Kit Mounting



- 1 Pull the sleeve on the end of Cable A through the provided flange and make sure the end cap is positioned in the flange. Fix the flanges onto the ceiling with self-tapping screws.
- 2 Insert the end of Cable A into the wire rope gripper attached to Cable B, then adjust Cable A to the desired height by pressing the wire rope lock and adjusting to the desired angle.
- 3 Hook the fixture up to the swivel lobster clasp attached to the two ends of cable B and make the final adjustments.
- 4 Connect LED Driver to power.

Surface Mounting Kit



- 1 Attach the assembly angle to two different mounting brackets with screws.
- 2 Repeat the previous step to secure the third mounting bracket.
- 3 Use frame to make accurate measurements to surface mount the fixture.
- 4 Choose opening closest to the junction box. Once square, slide frame horizontally before securing frame to ceiling.
- 5 Ensure conduit is near the surface mount opening before inserting fixture. Make connections with conduit.
- 6 Push conduit back into surface mount frame properly, push fixture fully into frame.
- 7 Place final frame piece into slots, then slide to the left ensuring it locks tightly. Join to the rest of the frame with appropriate fasteners.
- 8 Fixture is ready to power on safely.