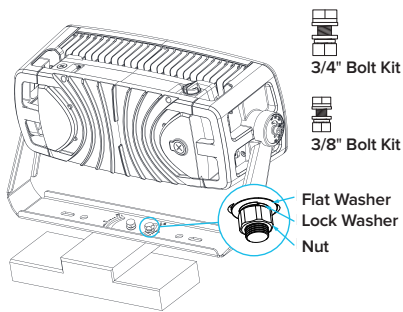


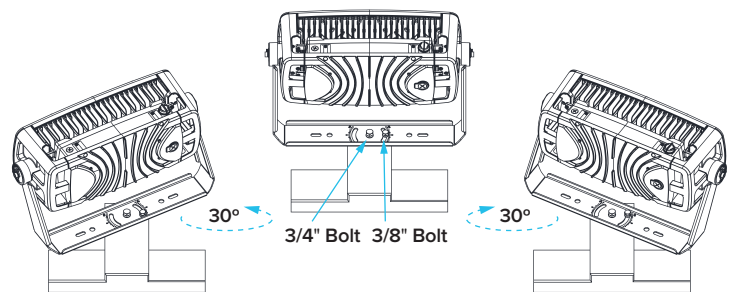
⚠ WARNING

1. To avoid electric shock, disconnect power at source prior to installation.
2. The installation should be performed by qualified electricians or lighting technicians.
3. Before installation, maintenance, or removal, disable all power.
4. Do not touch the fixture while it is in service.
5. If there is any problem with the fixture, turn off power and **DO NOT** attempt repair unless you are a qualified technician or the customer service member.

Yoke Mount Installation

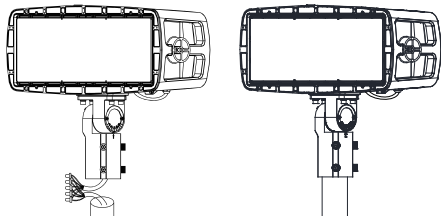


1 Select a suitable mounting location. Fixture is fastened with 3/4" and 3/8" Bolt kits (included).

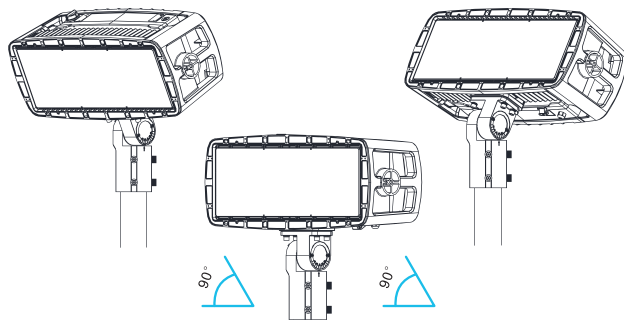


2 Set the Left/Right direction by loosening the 3/4" & 3/8" bolts in the base of the Bracket and turning the fixture as required then fasten the bolts in position

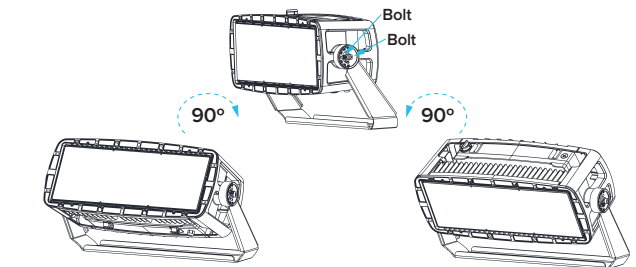
Adjustable Fitter Mounting



1 After loosening the four bolts on bracket, pull the wires inside of the pole. Place bracket onto pole and fasten the bolts securely in position.

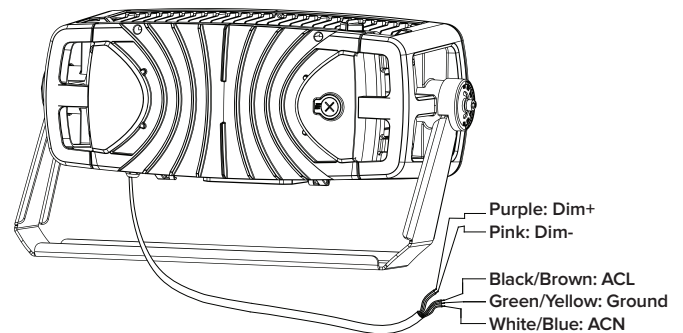


2 With an open-end wrench and hex wrench, loosen the adjusting screw to align fixture with desired angle between 0° and 90°.

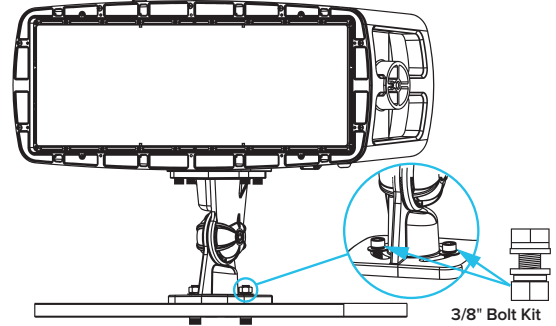
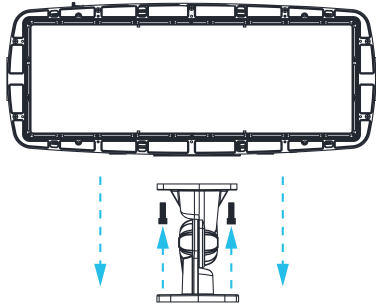


3 The Up/Down direction can be adjusted by loosening bolts on each side of the fixture and then fastening the bolts in position,

Wiring Diagram

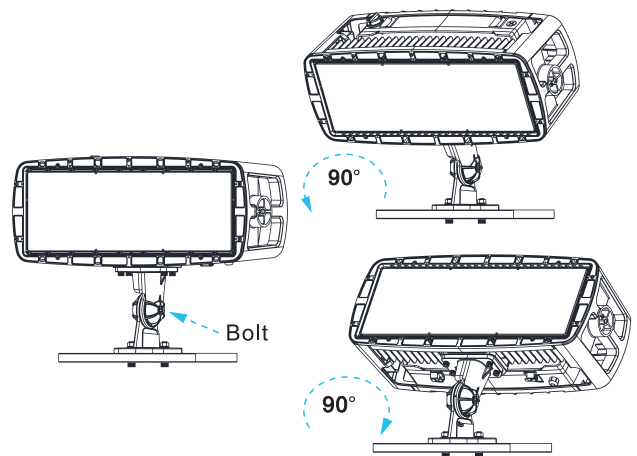
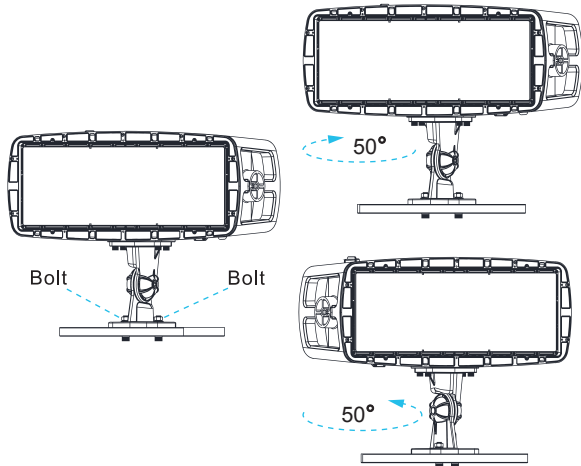


Universal Mounting Arm Installation



1 Attach bracket to fixture with four bolts by aligning with the bottom of the fixture.

2 Can be installed on the crossarm diving board and secured with 3/8" bolt kit.



3 Set the Left/Right direction by loosening the two bolts in the base of the mount. Turn the fixture to the desired angle and fasten bolts securely.

4 Set the Up/Down direction by loosening the two bolts in the base of the mount. Turn the fixture to the desired angle and fasten bolts securely.