

Key Features & Benefits:

- Kelvin and Wattage Selectable
- Built-In Patent-Pending Replaceable Photocell
- Durable Polycarbonate Lens
- Die-cast Aluminum Heat Sink

Project: _____

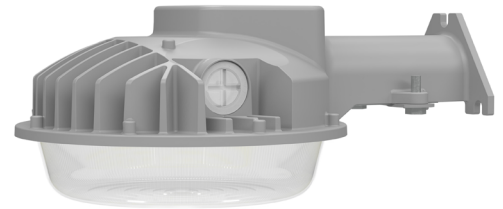
Date: _____

Catalog #: _____

Notes: _____

Product Specifications:

Selectable Wattage: 10W–20W–30W
 Selectable Kelvin: 3000K–4000K–5000K
 Max Lumen Output: 4,500 Lumens
 Max Efficacy: 148 lm/W
 Voltage: 120–277 VAC
 Input Frequency: 50/60 Hz
 Surge Protection: Driver 4kV
 Power Factor: ≥0.94
 THD: ≤13%
 Operating Temperature: -40°F to 104°F (-40°C to 40°C)
 Dimming: 0–10V
 Dimming Range: Dim to Off
 Dim to Off: true
 CRI: >70
 Dimensions: L11.38" x W7.56" x H4.33"
 Weight (lbs): 4.41
 Finish: WH (White)
 L70 Lifetime Calculated per TM21: 90000 hours
 Warranty: 7 Year



Ordering Guide:

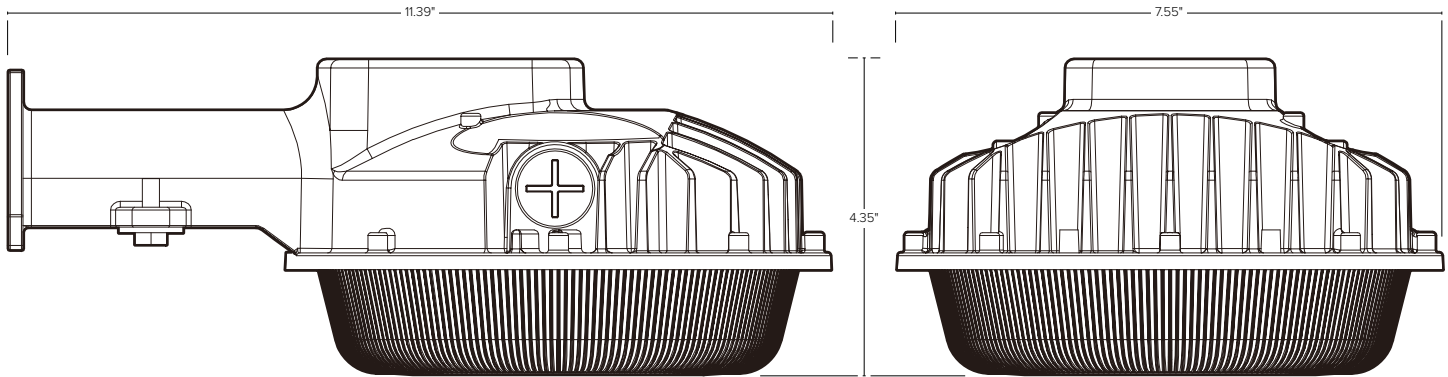
ESL	TYPE	SELECTABLE WATTAGE	GEN	SELECTABLE KELVIN	VOLTAGE	FINISH
ESL	D2D	1030W	1	3050		WH
	(D2D) Dusk to Dawn Barn Light	(1030W) 10W–20W–30W (4080W) 40W–60W–80W	(1) 1st Gen	(3050) 3000K–4000K–5000K		(SL) Silver

Catalog Data:

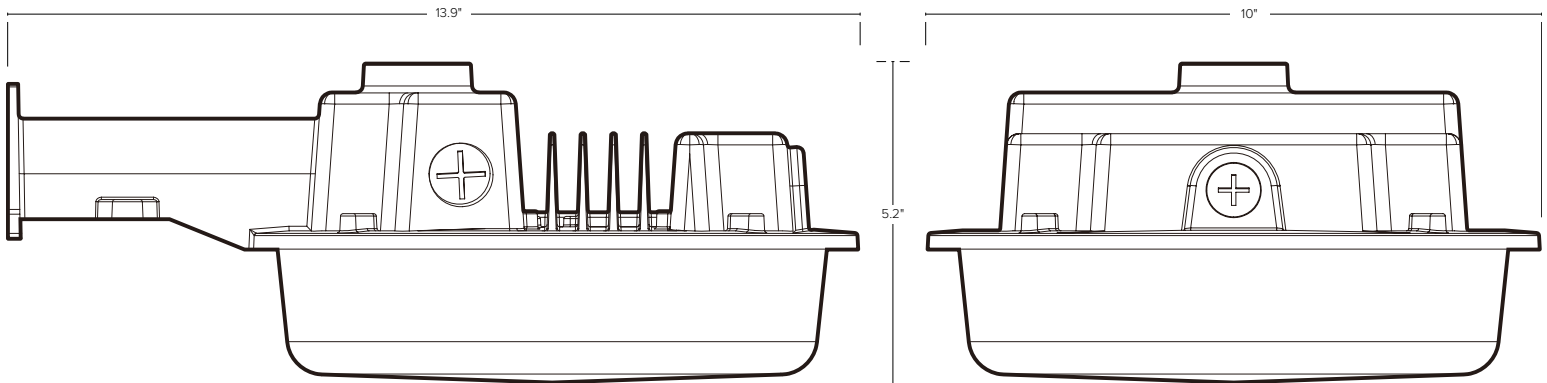
ITEM#	SELECTABLE WATTAGE	SELECTABLE KELVIN	MAX LUMEN OUTPUT	MAX EFFICACY (lm/w)	DIMENSIONS (LxWxH)	DLC QPL CODE
ESL-D2D-1030W-13050-SL	10W-20W-30W	3000K-4000K-5000K	4,500	148	11.39" x 7.55" x 4.35"	S-3HZSQ7
ESL-D2D-4080W-13050-SL	40W-60W-80W	3000K-4000K-5000K	11,000	148	13.9" x 10" x 5.2"	S-6D2FPY

Dimensions:

Dusk to Dawn Barn Light – Low Wattage
ESL-D2D-1030W-13050-SL



Dusk to Dawn Barn Light – High Wattage
ESL-D2D-4080W-13050-SL



Lumen Ambient Temperature (LAT) Multipliers:

AMBIENT		LUMEN MULTIPLIER
0 °C	32 °F	1.02
10 °C	50 °F	1.01
20 °C	68 °F	1.00
25 °C	77 °F	1.00
30 °C	86 °F	1.00
40 °C	104 °F	0.99
50 °C	122 °F	0.96