

Key Features & Benefits:

- Kelvin & Wattage Selectable
- Mounting Plate for Easy Surface Mount Installation
- Available in White or Bronze

Product Specifications:

Adjustable Wattage: 60W–80W–100W
 Lumen Output: Up to 16,500 Lumens
 Efficacy (lm/W): Up to 165 Lumens
 Kelvin Adjustable: 3000K–4000K–5000K
 Input Voltage: 120–277 VAC
 Total Harmonic Distortion (THD): <20%
 Beam Angle: 150°
 Operating Temperature: -22°F to 113°F (-30°C to 45°C)
 Estimate L70 Lifetime 175,000 hrs Calculated Per TM21
 Dimming: 0–10V Dim to Off
 Power Factor: >0.9
 Surge Protection: 6kV
 CRI: >80
 Dimensions: Ø11.02" x 3.11"
 Weight (lbs): 4.93
 Default Settings: 100W, 4000K

Project: _____

Date: _____

Catalog #: _____

Notes: _____



Ordering Guide:

ESL	TYPE	SHAPE	WATTAGE	GENERATION	KELVIN	FINISH	OPTIONS
ESL	CP	R	60100W	1	3050	BZ	
	(CP) Round Canopy	(R) Round	(2555W) 25W–40W–55W (60100W) 60W–80W–100W	(1) 1st Generation	(3050) 3000K–4000K–5000K	(BZ) Bronze (WH) White	

FACTORY INSTALLED OPTIONS

EMG Emergency Backup Battery Unit, Auto Test Function, 8 Watts Output, 90 Minutes Min, 120–277 VAC Input, 30–200 VDC Output, Closed Lead Wiring, UL Listed for Factory Installation

FIELD INSTALLED ACCESSORIES

ESL-OCCP-LV-02 PIR Occupancy
 ESL-REM-LV02 Occupancy Sensor Remote

Catalog Data:

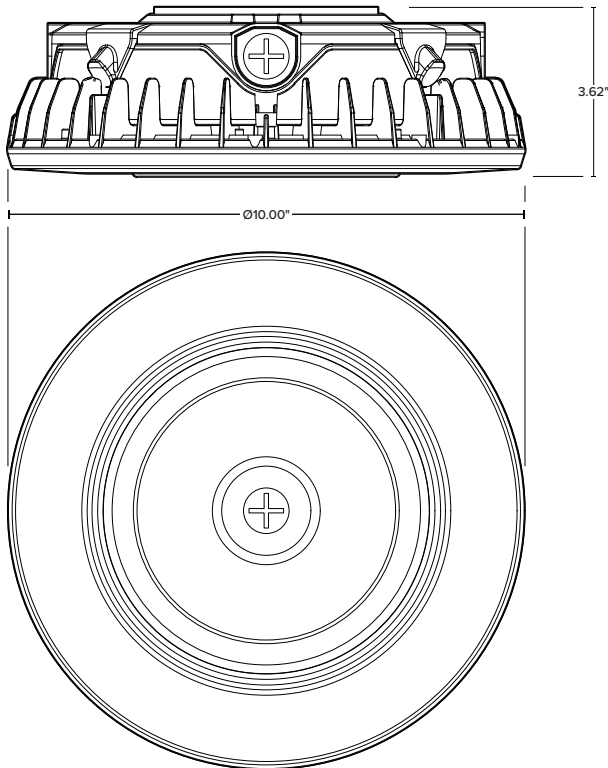
ITEM#	SELECTABLE WATTAGE	SELECTABLE KELVIN	MAX LUMEN OUTPUT	EFFICACY (lm/W)	DIMENSIONS	DLC QPL CODE
ESL-CP-R-2555W-13050-BZ	25W-40W-55W	3000K-4000K-5000K	8,745	159	Ø10" x 3.62"	S-1Q597H
ESL-CP-R-2555W-13050-WH						
ESL-CP-R-60100W-13050-BZ	60W-80W-100W		16,500	165	Ø11.02" x 3.11"	S-DTC5T9
ESL-CP-R-60100W-13050-WH						

Electrical Load – Standard Voltage:

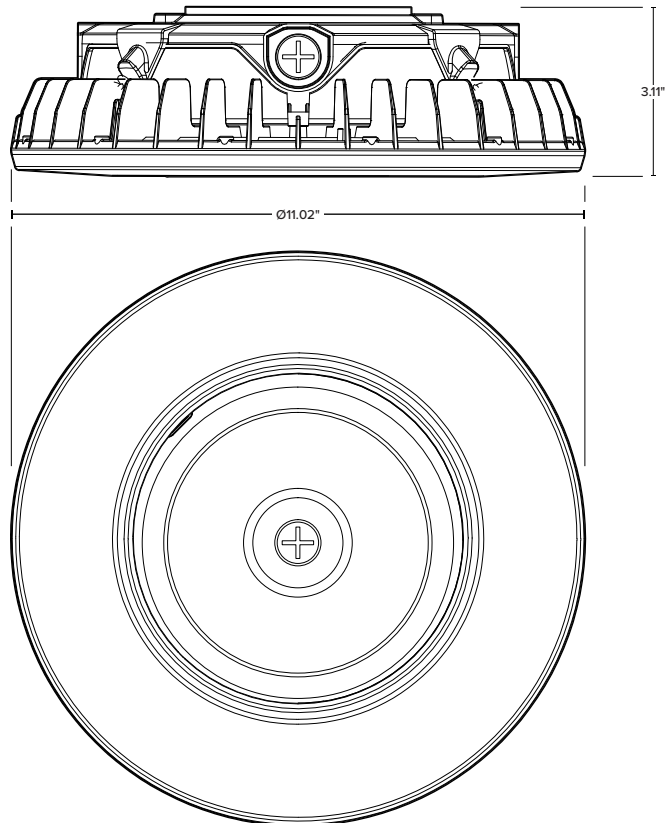
SYSTEM WATTS	INPUT CURRENT				INPUT WATTAGE	INPUT FREQUENCY	POWER FACTOR	THD	OPERATING TEMPERATURE	SURGE PROTECTION	DIMMING
	120 VAC	208 VAC	240 VAC	277 VAC							
25	0.21	0.12	0.10	0.09	120-277 VAC	50/60 Hz	>0.9	<20%	-22°F to 113°F (-30°C to 45°C)	6kV Driver	0-10V Dim to Off
40	0.33	0.19	0.17	0.14	120-277 VAC	50/60 Hz	>0.9	<20%	-22°F to 113°F (-30°C to 45°C)	6kV Driver	0-10V Dim to Off
55	0.46	0.26	0.23	0.20	120-277 VAC	50/60 Hz	>0.9	<20%	-22°F to 113°F (-30°C to 45°C)	6kV Driver	0-10V Dim to Off
60	0.50	0.29	0.25	0.22	120-277 VAC	50/60 Hz	>0.9	<20%	-22°F to 113°F (-30°C to 45°C)	6kV Driver	0-10V Dim to Off
80	0.67	0.38	0.33	0.29	120-277 VAC	50/60 Hz	>0.9	<20%	-22°F to 113°F (-30°C to 45°C)	6kV Driver	0-10V Dim to Off
100	0.83	0.48	0.42	0.36	120-277 VAC	50/60 Hz	>0.10	<20%	-22°F to 113°F (-30°C to 45°C)	6kV Driver	0-10V Dim to Off

Dimensions:

ESL-CP-R-2555W-13050-XX



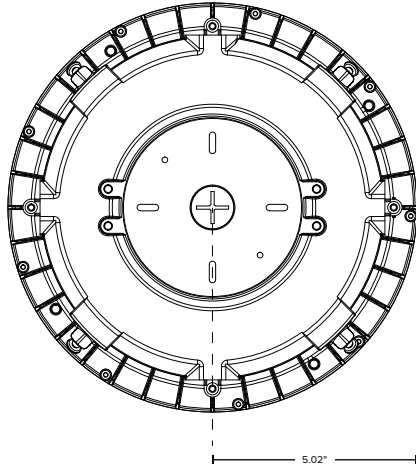
ESL-CP-R-60100W-13050-XX



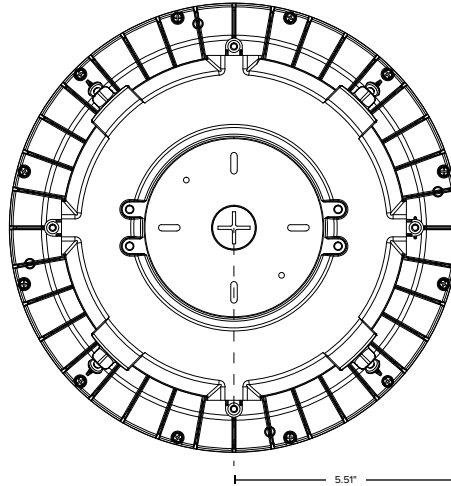
* Not All Part Numbers DLC Qualified. For a Complete Listing Please Consult the DLC Qualified Products List (QPL).

Mounting Dimensions:

ESL-CP-R-2555W-13050-XX



ESL-CP-R-60100W-13050-XX

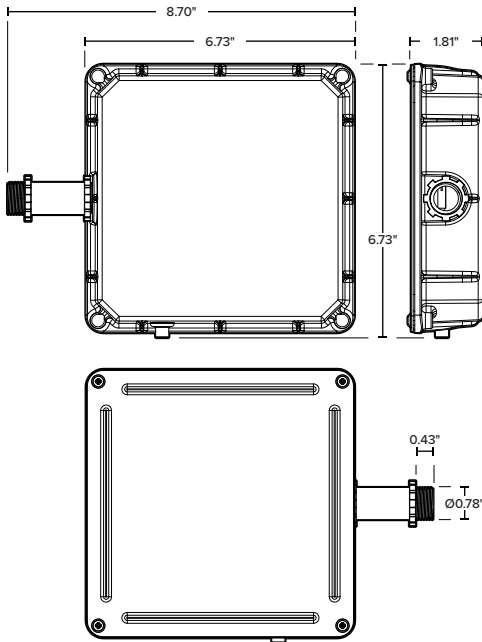


Lumen Ambient Temperature (LAT) Multipliers:

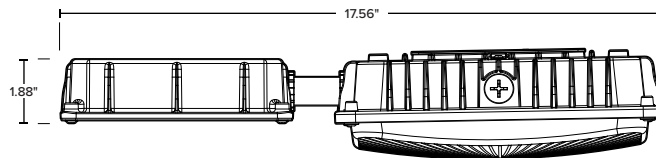
AMBIENT		LUMEN MULTIPLIER
0 °C	32 °F	1.02
10 °C	50 °F	1.01
20 °C	68 °F	1.00
25 °C	77 °F	1.00
30 °C	86 °F	1.00
40 °C	104 °F	0.99
50 °C	122 °F	0.96

EMG Sidecar Dimensions:

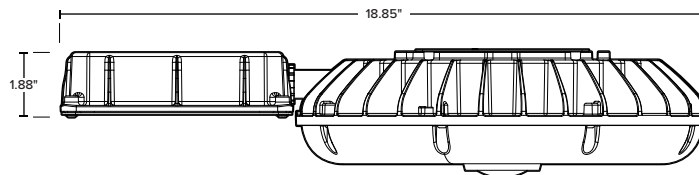
ESL-CP-EMG-HOUSING



ESL-CP-3060W-53050-XX &
ESL-CP-6090W-53050-XX with EMG Sidecar



ESL-CP-R-2555W-13050-XX with EMG Sidecar



ESL-CP-R-60100W-13050-XX with EMG Sidecar

